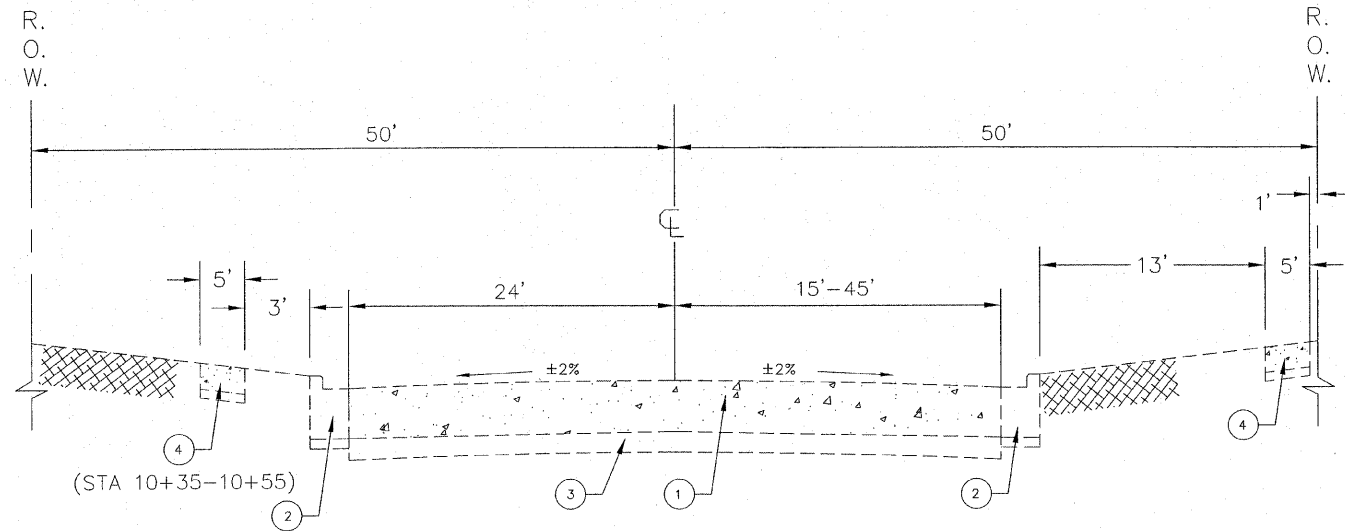
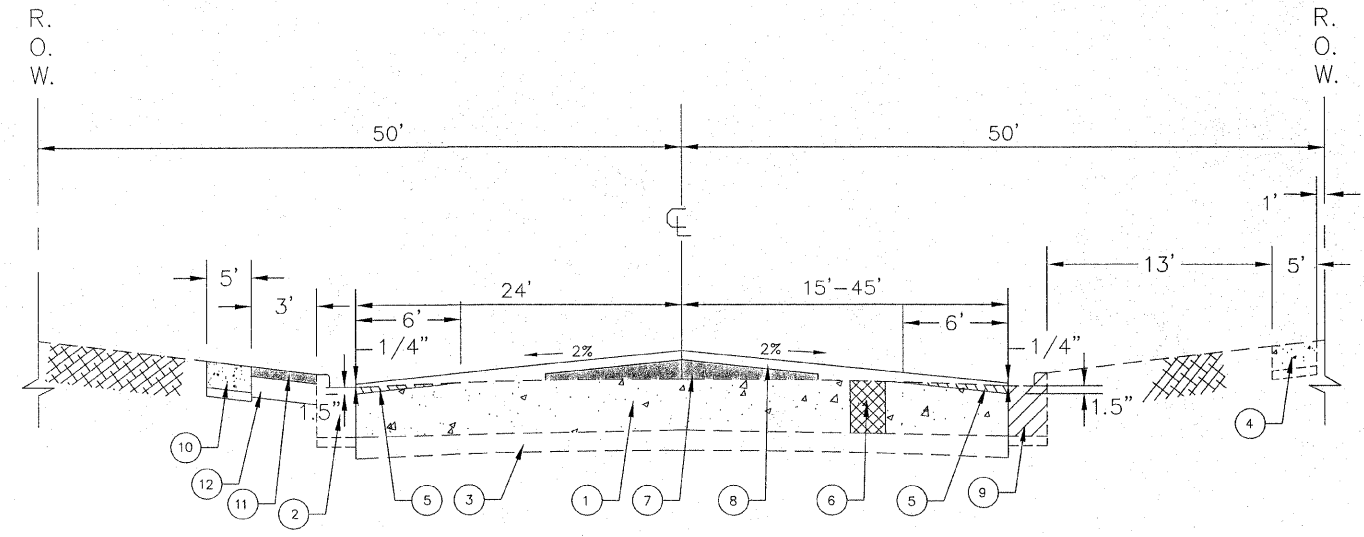


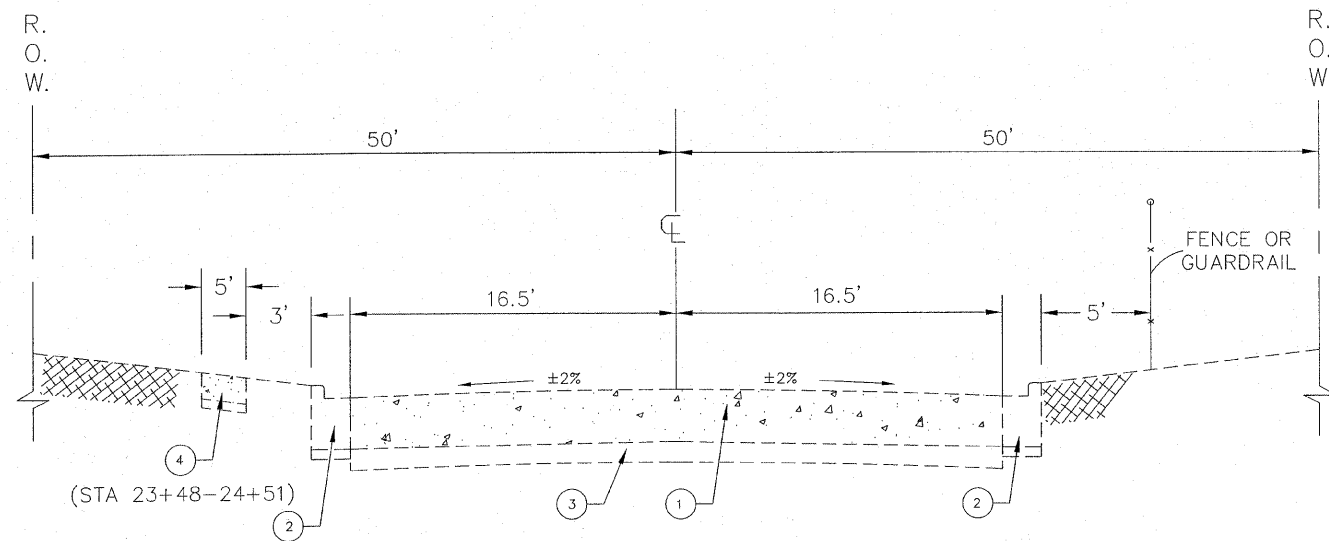
FAU RTE.	SECTION	COUNTY	TOTAL SHEETS	SHEET NO.
2802/1537	09-00032-00-RS	COOK	18	5
STA. 10+00		TO STA. 37+87.89		
FED. ROAD DIST. NO.	ILLINOIS	FED. AID PROJECT		
CONTRACT NO. 63410				



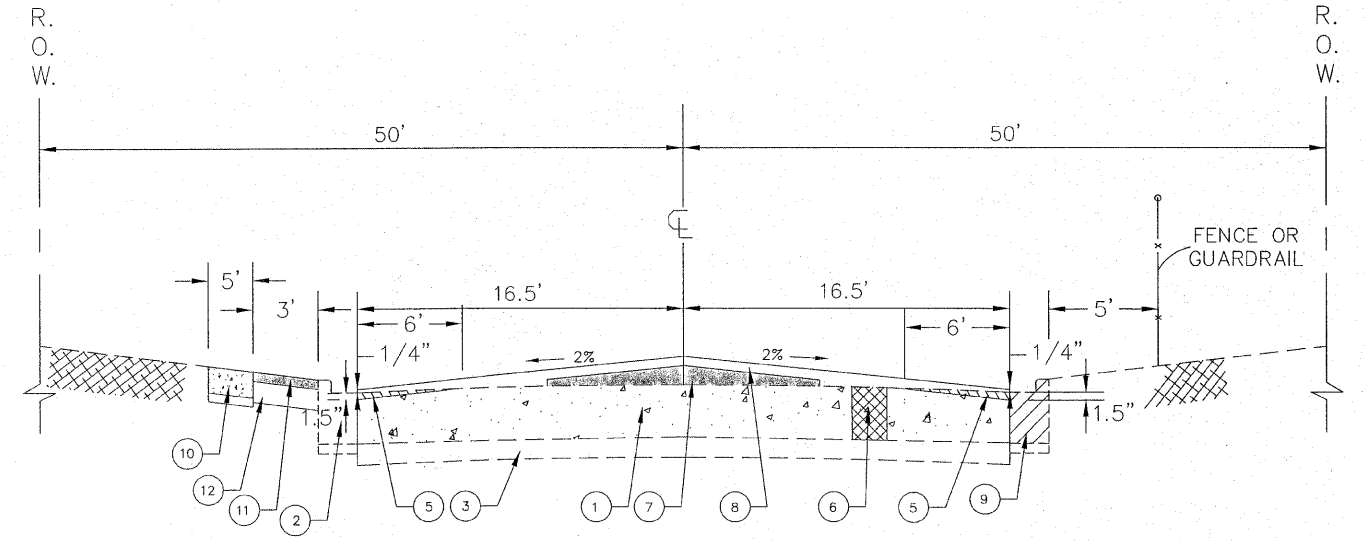
EXISTING TYPICAL SECTION
STA 10+00 - STA 13+82, 71st STREET



PROPOSED TYPICAL SECTION
STA 10+00 - STA 13+82, 71st STREET



EXISTING TYPICAL SECTION
STA 13+82 - STA 24+51.31, 71st STREET



PROPOSED TYPICAL SECTION
STA 13+82 - STA 24+51.31, 71st STREET

- ① EX. P.C.C. PAVEMENT, 10 3/4"
- ② EX. COMBINATION CURB & GUTTER, TY B6.12
- ③ EX. SUB-BASE GRANULAR MATERIAL, 4"
- ④ EXISTING P.C.C. SIDEWALK, 5"
- ⑤ P.C.C. SURFACE REMOVAL (COLD MILLING) VARIABLE DEPTH
- ⑥ CLASS 'B' PATCHES, 11"
- ⑦ POLYMERIZED LEVELING BINDER (MACHINE METHOD), IL-4.75, N50, 3/4"-1" (IF NECESSARY)
- ⑧ POLYMERIZED HMA SURFACE COURSE, MIX 'F', N90, 1 3/4"

- ⑨ CURB & GUTTER REMOVAL AND REPLACEMENT (WHERE MARKED IN FIELD)
- ⑩ PROPOSED P.C.C. SIDEWALK, 5"
- ⑪ PROPOSED HMA SURFACE COURSE, MIX "C", N50, 2"
- ⑫ PROPOSED AGGREGATE BASE COURSE, TYPE "B", 4"

NOTE: CROSS-HATCHED ITEMS ARE TO BE REMOVED

REVISIONS		DATE
NAME	DATE	
JMH PER REVIEW	01.06.10	
JMH PER REVIEW	01.15.10	
JMH PER REVIEW	01.21.10	

ILLINOIS DEPARTMENT OF TRANSPORTATION
VILLAGE OF BEDFORD PARK
71st ST & SAYRE AVE RESURFACING
71st ST • HARLEM TO SAYRE • 73rd ST

SCALE: TYPICAL CROSS SECTIONS
N.T.S.

DATE: 10/09/09

DRAWN BY: JMH
CHECKED BY: SAL

hbe Hoeffler-Butler Engineering, Inc.
Consulting Civil Engineers • Land Surveyors
PROFESSIONAL DESIGN FIRM LICENSE NO. 184-08819
8714 S. ROBERTS ROAD HOOKY HILLS, ILLINOIS 60437
C/O: 599-8980 FAX: C/O: 599-8726