

TRAFFIC CONTROL GENERAL NOTES

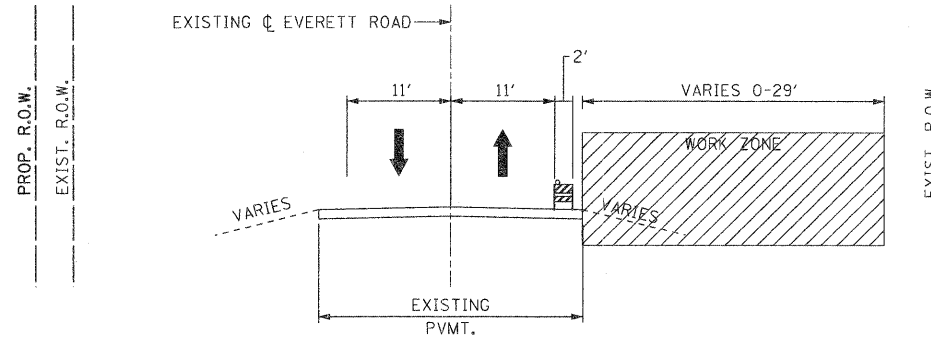
PRESTAGE

CONSTRUCTION:
 1. CONTRACTOR TO CONSTRUCT IRRIGATION SYSTEM AS OUTLINED ON PAGE 62 . CONTRACTOR TO USE STANDARD 701306-02 FOR TRAFFIC CONTROL.

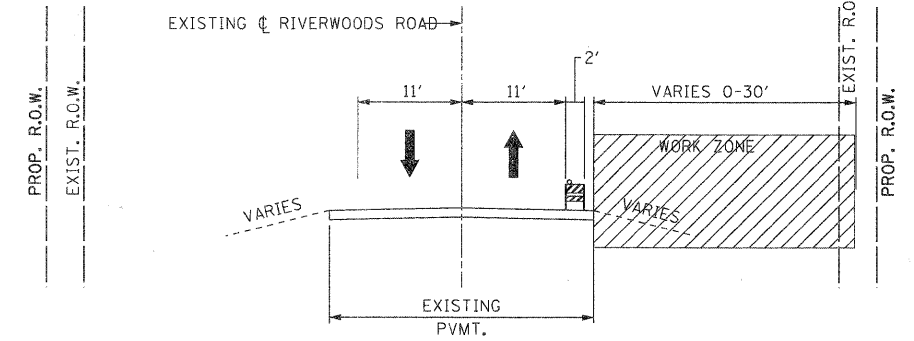
STAGE 1

CONSTRUCTION:
 1. CONSTRUCT TEMPORARY PAVEMENT ON SOUTH SIDE OF EVERETT ROAD.
 2. CONSTRUCT TEMPORARY PAVEMENT ON EAST SIDE OF RIVERWOODS ROAD.

TRAFFIC:
 1. INTERSECTION WILL OPERATE AS A STOP CONTROLLED INTERSECTION.
 2. MAINTAIN ONE LANE OF TRAFFIC IN EACH DIRECTION AT ALL TIMES.



**EVERETT ROAD
STAGE 1**



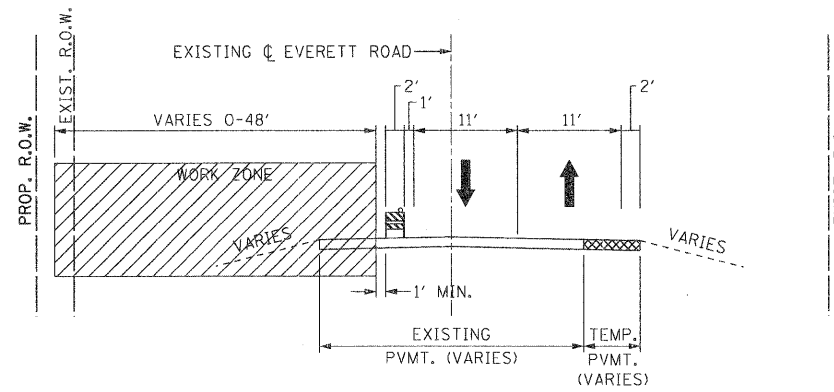
**RIVERWOODS ROAD
STAGE 1**

TRAFFIC CONTROL GENERAL NOTES

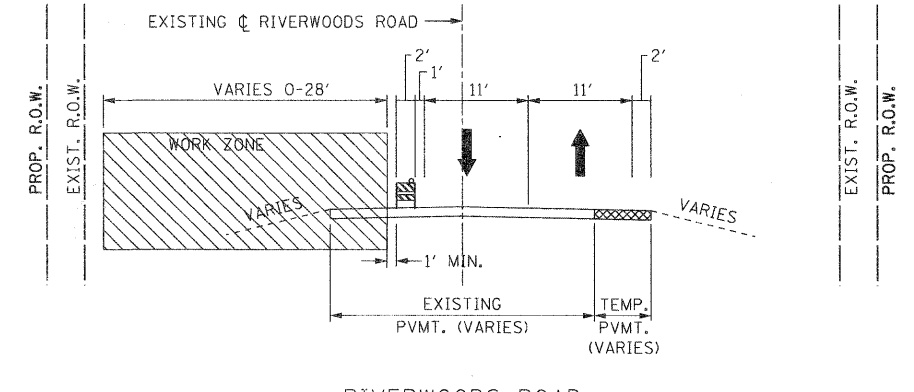
STAGE 2

CONSTRUCTION:
 1. CONSTRUCT TEMPORARY PAVEMENT AT INTERSECTION
 2. CONSTRUCT NORTH SIDE OF PAVEMENT ALONG EVERETT ROAD
 3. CONSTRUCT GUTTER PORTION ONLY FOR SPLITTER ISLANDS ALONG EVERETT ROAD.
 4. CONSTRUCT WEST SIDE OF PAVEMENT ALONG RIVERWOODS ROAD.
 5. CONSTRUCT GUTTER PORTION ONLY FOR PORTION OF SPLITTER ISLANDS ALONG RIVERWOODS ROAD.
 6. CONSTRUCT TEMPORARY PAVEMENT AT SPLITTER ISLANDS LOCATED ALONG EVERETT ROAD.
 7. CONSTRUCT GUTTER PORTION ONLY FOR PORTION OF TRUCK APRON.
 8. CONSTRUCT BIKE/PED PATH IN NORTHWEST CORNER.
 9. CONSTRUCT CURB & GUTTER ONLY WHERE TRAFFIC WILL NOT BE PLACED IN FUTURE STAGES.

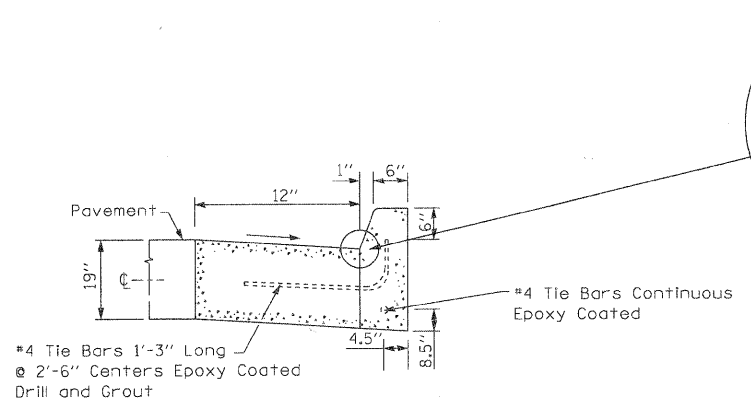
TRAFFIC:
 1. INTERSECTION WILL OPERATE AS A STOP CONTROLLED INTERSECTION.
 2. MAINTAIN ONE LANE OF TRAFFIC IN EACH DIRECTION AT ALL TIMES.
 3. ALL TRAFFIC ON EVERETT ROAD SHIFTED TO SOUTH SIDE ON TEMPORARY AND EXISTING PAVEMENT.
 4. ALL TRAFFIC ON RIVERWOODS ROAD SHIFTED TO EAST SIDE ON TEMPORARY AND EXISTING PAVEMENT.



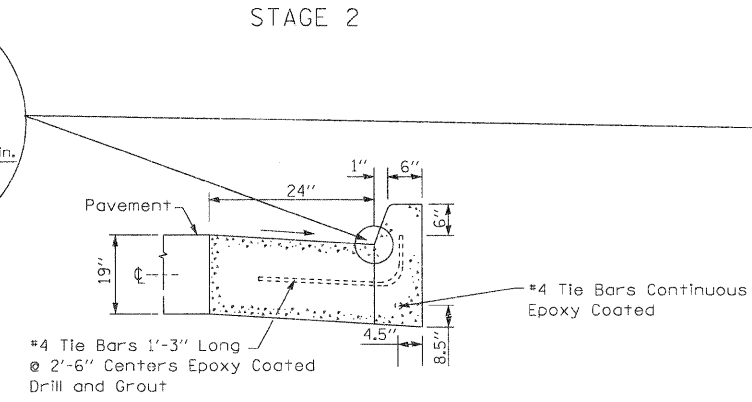
**EVERETT ROAD
STAGE 2**



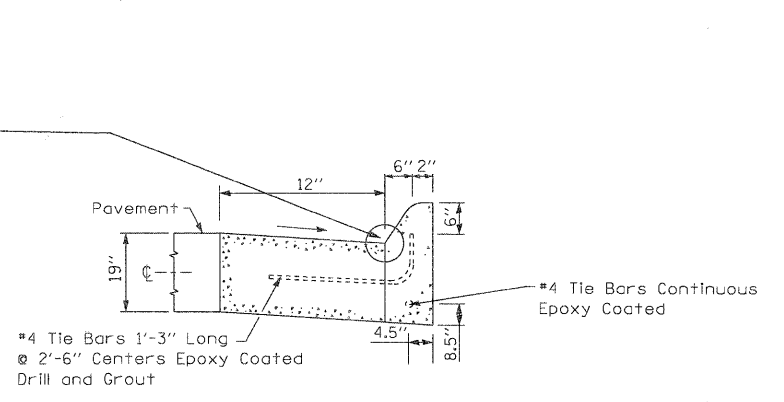
**RIVERWOODS ROAD
STAGE 2**



**STAGING DETAIL
COMBINATION CONCRETE CURB AND GUTTER, TYPE B-6.12 (SPECIAL)**



**STAGING DETAIL
COMBINATION CONCRETE AND GUTTER, TYPE B-6.24 (SPECIAL)**



**STAGING DETAIL
COMBINATION CONCRETE CURB AND GUTTER, TYPE M-6.12 (SPECIAL)**

NOTES:
 1. THE COST OF ALL TIE BARS, REINFORCING STEEL, HOT Poured JOINT SEALING, STAGING OF CURB AND GUTTER CONSTRUCTION, DRILLING, AND GROUTING SHALL BE INCLUDED IN THE COST OF COMBINATION CONCRETE CURB AND GUTTER (SPECIAL) OF THE TYPE SPECIFIED AND NO ADDITIONAL COMPENSATION WILL BE ALLOWED.

2. SEE "TRAFFIC CONTROL NOTES" ON SHEETS 31 AND 32 FOR LOCATIONS OF STAGED CURB AND GUTTER CONSTRUCTION.

REVISIONS / REMARKS				SCALE	30 N LaSalle Street, Suite 3220 Chicago, IL 60602 312-443-4900 HDR Engineering, Inc.	Lake County Division of Transportation	TYPICAL SECTIONS - STAGE 1 & 2		SECTION NUMBER		SHEET SHEETS	
NO.	DESCRIPTION	DATE	BY				DESIGNED BY:	JRM	ROUTE	SECTION	SECTION NUMBER	SHEET
				CHECKED BY:	MPK/JLC	58/52	136	04-00136-06-CH	32	107		
				DATE:	1/22/2010	TRAFFIC CONTROL PLAN						

6315