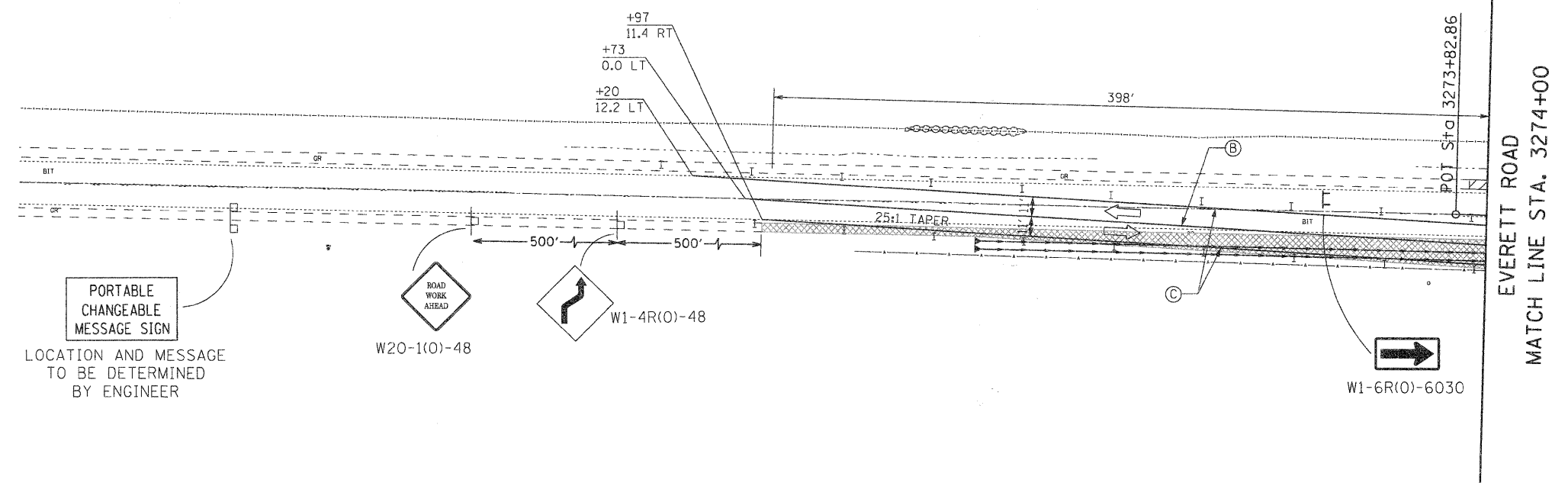




- WORK ZONE
- COMPLETED PAVEMENT
- TEMPORARY PAVEMENT
- DIRECTION OF TRAFFIC FLOW
- TYPE II BARRICADE
- SIGN W/ ORANGE WARNING FLAG & FLASHING LIGHT
- PORTABLE CHANGEABLE MESSAGE SIGN
- TYPE III BARRICADE
- DIRECTION INDICATOR BARRICADE

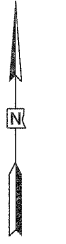
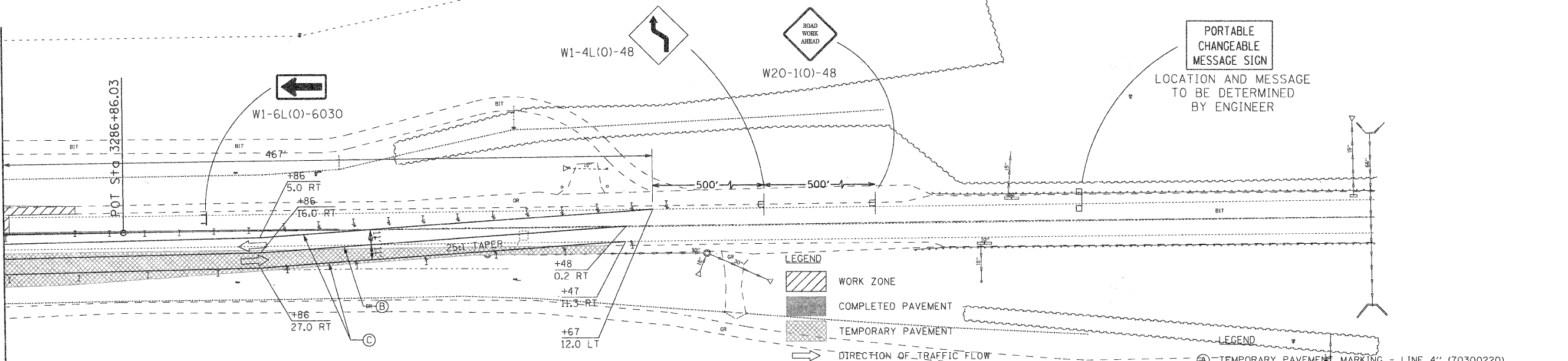
LEGEND

- (A) TEMPORARY PAVEMENT MARKING - LINE 4" (70300220) (SOLID YELLOW)
- (B) TEMPORARY PAVEMENT MARKING - LINE 4" (70300220) (DOUBLE SOLID YELLOW - 11" C-C SPACING)
- (C) TEMPORARY PAVEMENT MARKING - LINE 5" (70300230) (SOLID WHITE)
- (D) TEMPORARY PAVEMENT MARKING - LINE 24" (70300280) (SOLID WHITE)



EVERETT ROAD
MATCH LINE STA. 3274+00

EVERETT ROAD
MATCH LINE STA. 3286+00



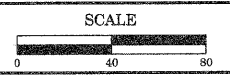
LEGEND

- WORK ZONE
- COMPLETED PAVEMENT
- TEMPORARY PAVEMENT
- DIRECTION OF TRAFFIC FLOW
- TYPE II BARRICADE
- SIGN W/ ORANGE WARNING FLAG & FLASHING LIGHT
- PORTABLE CHANGEABLE MESSAGE SIGN
- TYPE III BARRICADE
- DIRECTION INDICATOR BARRICADE

LEGEND

- (A) TEMPORARY PAVEMENT MARKING - LINE 4" (70300220) (SOLID YELLOW)
- (B) TEMPORARY PAVEMENT MARKING - LINE 4" (70300220) (DOUBLE SOLID YELLOW - 11" C-C SPACING)
- (C) TEMPORARY PAVEMENT MARKING - LINE 5" (70300230) (SOLID WHITE)
- (D) TEMPORARY PAVEMENT MARKING - LINE 24" (70300280) (SOLID WHITE)

REVISIONS / REMARKS		DATE	BY	DESIGNED BY:	JRM
NO.	DESCRIPTION	/ /		CHECKED BY:	MPK/JLC
		/ /		DATE:	1/22/2010



HDR
30 N LaSalle Street, Suite 3220
Chicago, IL 60602
312-443-4900
HDR Engineering, Inc.

Lake County
Division of Transportation

EVERETT ROAD - STAGE 2
TRAFFIC CONTROL PLAN

ROUTE	SECTION	SECTION NUMBER	SHEET	SHEETS
58/52	136	04-00136-06-CH	38	107

63415