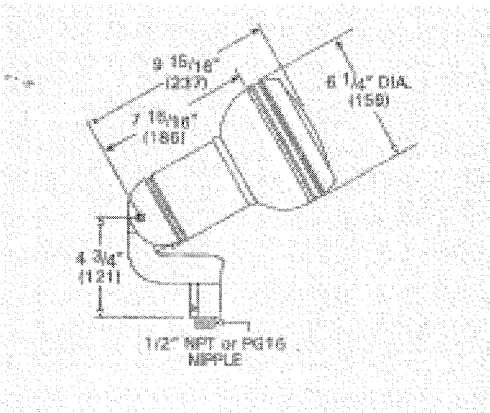
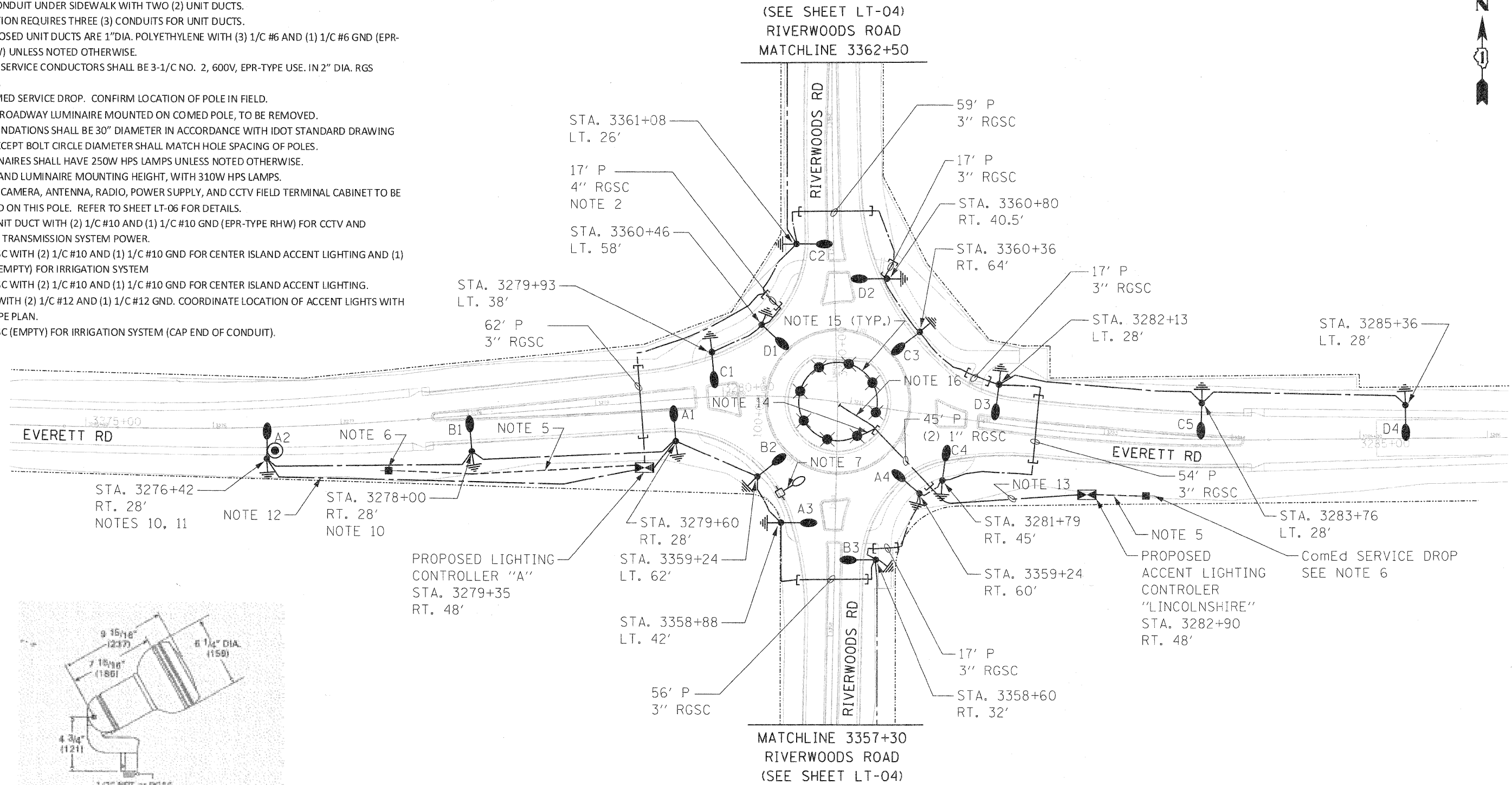
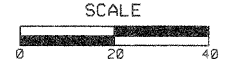


NOTES

1. ALL POLES AND LUMINAIRE MOUNTING HEIGHTS ARE 30' UNLESS NOTED OTHERWISE.
2. 4" RGS CONDUIT UNDER SIDEWALK WITH TWO (2) UNIT DUCTS.
3. FOUNDATION REQUIRES THREE (3) CONDUITS FOR UNIT DUCTS.
4. ALL PROPOSED UNIT DUCTS ARE 1" DIA. POLYETHYLENE WITH (3) 1/C #6 AND (1) 1/C #6 GND (EPR-TYPE RHW) UNLESS NOTED OTHERWISE.
5. THE NEW SERVICE CONDUCTORS SHALL BE 3-1/2" NO. 2, 600V, EPR-TYPE USE. IN 2" DIA. RGS CONDUIT.
6. NEW COMED SERVICE DROP. CONFIRM LOCATION OF POLE IN FIELD.
7. EXISTING ROADWAY LUMINAIRE MOUNTED ON COMED POLE, TO BE REMOVED.
8. POLE FOUNDATIONS SHALL BE 30" DIAMETER IN ACCORDANCE WITH IDOT STANDARD DRAWING BE-301 EXCEPT BOLT CIRCLE DIAMETER SHALL MATCH HOLE SPACING OF POLES.
9. ALL LUMINAIRES SHALL HAVE 250W HPS LAMPS UNLESS NOTED OTHERWISE.
10. 45' POLE AND LUMINAIRE MOUNTING HEIGHT, WITH 310W HPS LAMPS.
11. CCTV PTZ CAMERA, ANTENNA, RADIO, POWER SUPPLY, AND CCTV FIELD TERMINAL CABINET TO BE MOUNTED ON THIS POLE. REFER TO SHEET LT-06 FOR DETAILS.
12. 1" DIA. UNIT DUCT WITH (2) 1/C #10 AND (1) 1/C #10 GND (EPR-TYPE RHW) FOR CCTV AND WIRELESS TRANSMISSION SYSTEM POWER.
13. (1) 1" RGSC WITH (2) 1/C #10 AND (1) 1/C #10 GND FOR CENTER ISLAND ACCENT LIGHTING AND (1) 1" RGSC (EMPTY) FOR IRRIGATION SYSTEM
14. (1) 1" RGSC WITH (2) 1/C #10 AND (1) 1/C #10 GND FOR CENTER ISLAND ACCENT LIGHTING.
15. 1/2" RGSC WITH (2) 1/C #12 AND (1) 1/C #12 GND. COORDINATE LOCATION OF ACCENT LIGHTS WITH LANDSCAPE PLAN.
16. (1) 1" RGSC (EMPTY) FOR IRRIGATION SYSTEM (CAP END OF CONDUIT).



LED ACCENT LIGHT
HYDREL MODEL 4640 22LED
NOT TO SCALE



REVISIONS / REMARKS					SPAAN Tech, Inc. <small>311 South Wacker Drive, Suite 2400 Chicago, IL 60606</small>	HDR <small>30 N LaSalle Street, Suite 3220 Chicago, IL 60602 312-443-4900</small>	Lake County Division of Transportation	RIVERWOODS AND EVERETT ROADS PROPOSED ROADWAY LIGHTING PLAN			ROUTE	SECTION	SECTION NUMBER	SHEET	SHEETS
NO.	DESCRIPTION	DATE	BY	DESIGNED BY:				DL	CH	136	04-00136-06-CH	65	107		
				CHECKED BY:	IB										
				DATE:	01/22/10										

FILE NAME:

LT-03
03415