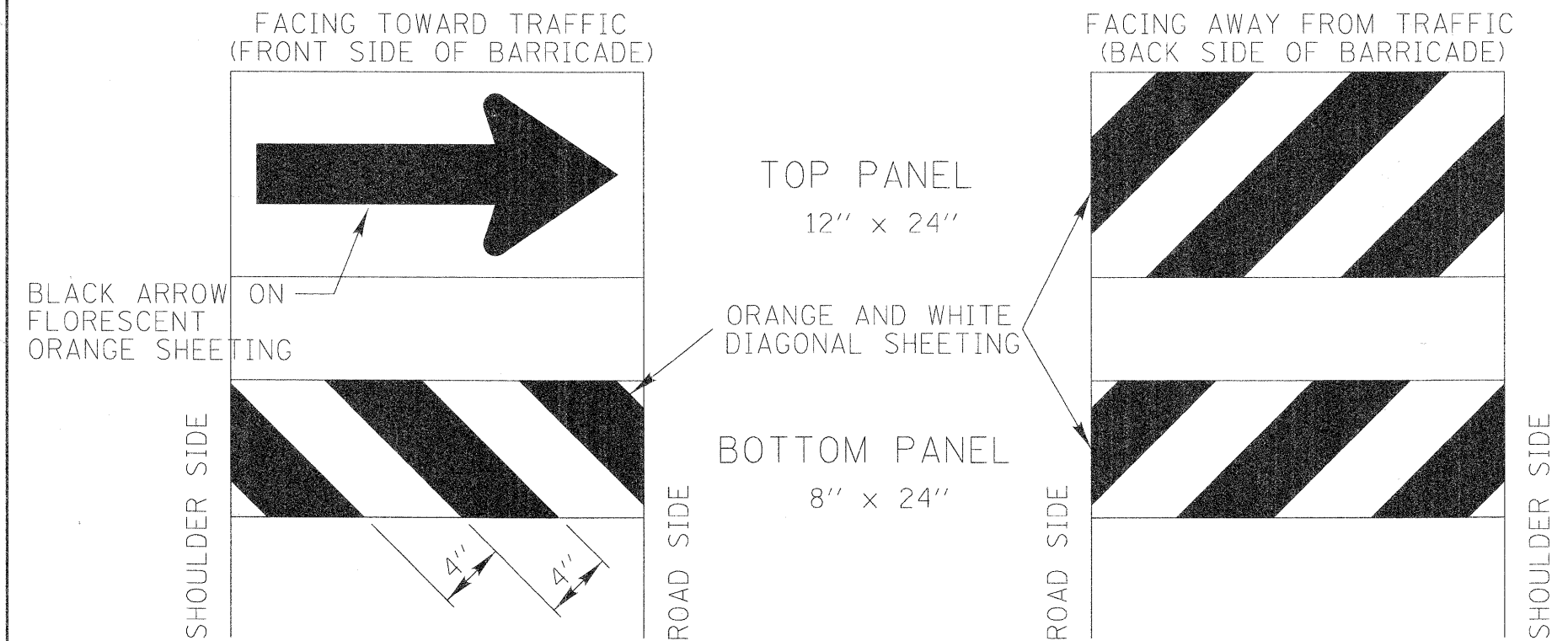
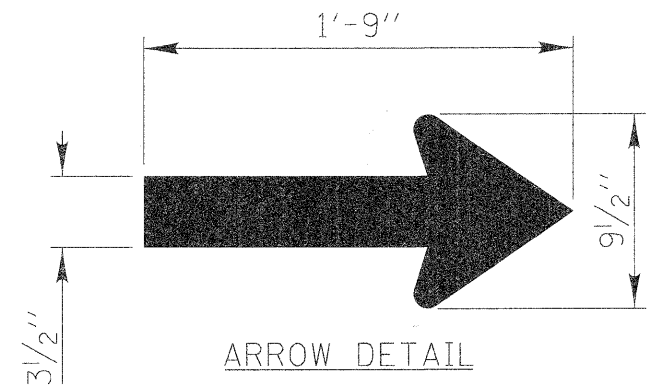


DIRECTION INDICATOR BARRICADES



GENERAL NOTES

- 1) Direction Indicator Barricades shall be constructed from non-metallic Type II barricades meeting the requirements of Article 1106.02 of the Standard Specifications, except where modified by this detail.
- 2) The Direction Indicator Barricades shall be equipped with Type C steady burning lights if used to channelize traffic during the hours of darkness.
- 3) The reflective sheeting for the top panel shall be Type AZ fluorescent orange. The diagonal panels shall have orange and white Type A or better reflective sheeting.



REVISIONS	DATE	APPROVED BY: ANTHONY KHAWAJA DATE: APRIL 1, 2007	LC7200
		LakeCounty <small>Division of Transportation</small>	
		TYPICAL APPLICATION OF TRAFFIC CONTROL DEVICES HIGHWAY CONSTRUCTION, CONTRACT MAINTENANCE	
		DIRECTION INDICATOR BARRICADES	

NO.	REVISIONS / REMARKS	DATE	BY	DESIGNED BY:	JRM
				CHECKED BY:	MPK/JLC
				DATE:	1/22/2010

HDR
HDR Engineering, Inc.
30 N LaSalle Street, Suite 3220
 Chicago, IL 60602
 312-443-4900

LakeCounty
Division of Transportation

LCDOT DETAILS

ROUTE	SECTION	SECTION NUMBER	SHEET	SHEETS
CH	136	04-00136-06-CH	98	107

63415

FILE NAME: