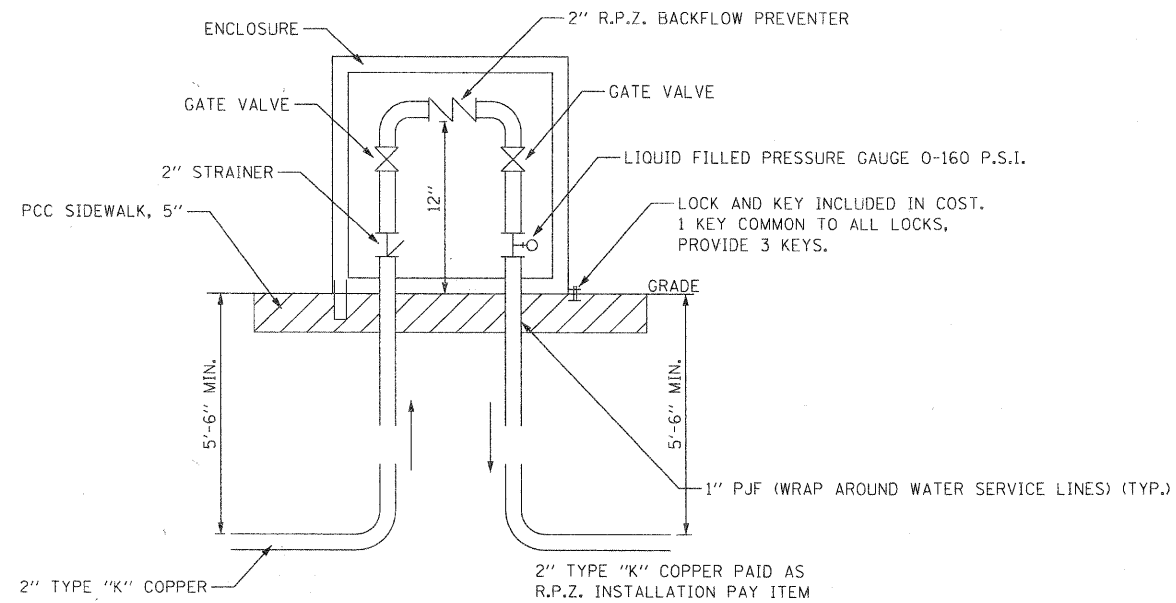
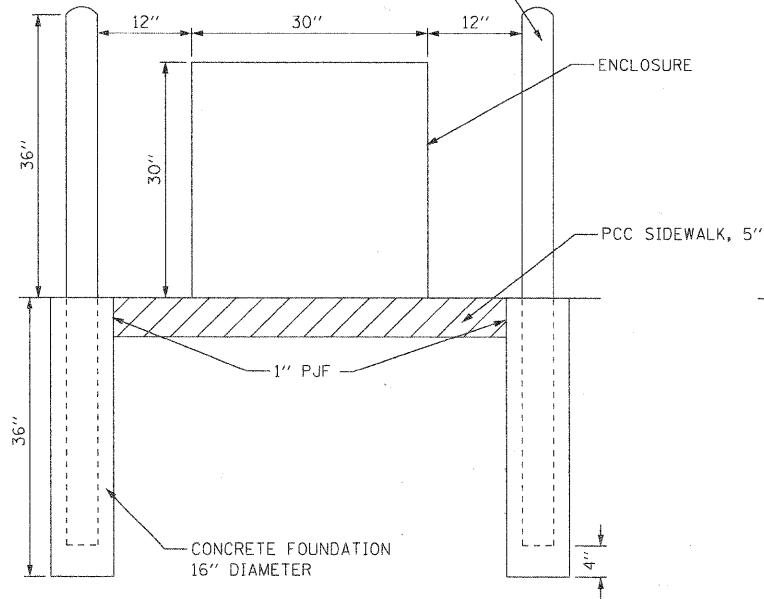


BACKFLOW PREVENTER, ENCLOSURE, AND BOLLARDS

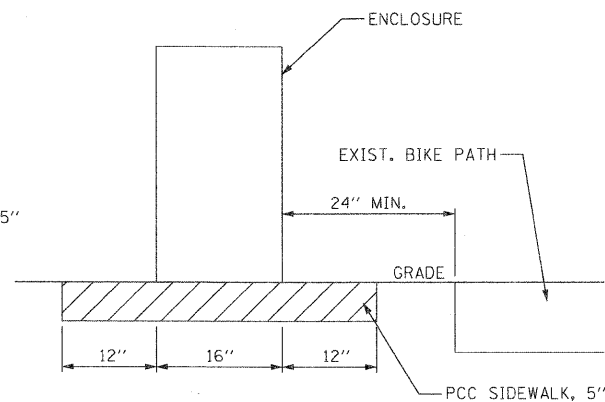
(NOT TO SCALE)



4" DIAMETER EXTRA STRONG STEEL PIPE FILLED WITH CONCRETE AND ROUND TOP (INCLUDED IN COST OF R.P.Z.) (TYP)



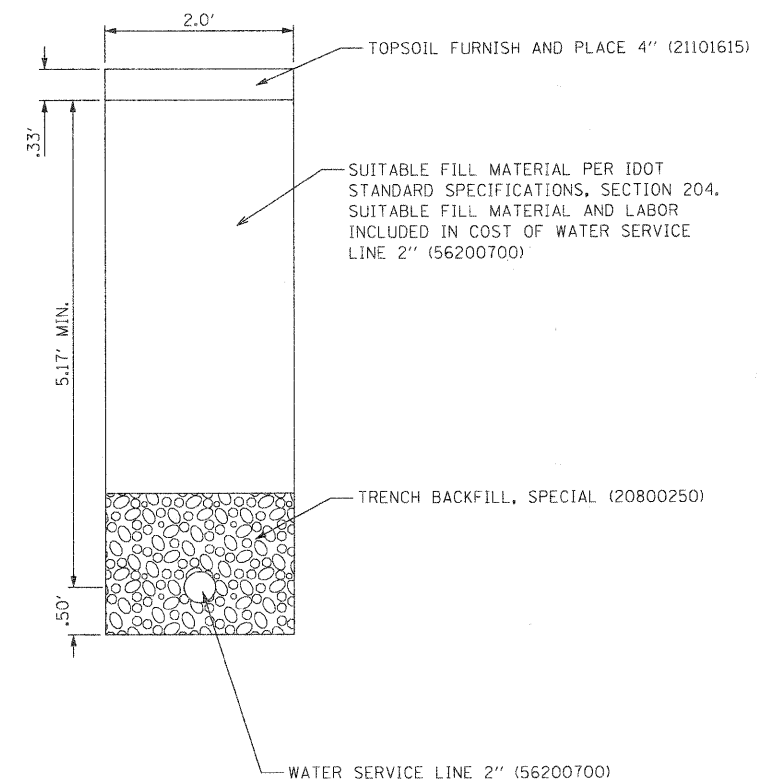
FRONT VIEW



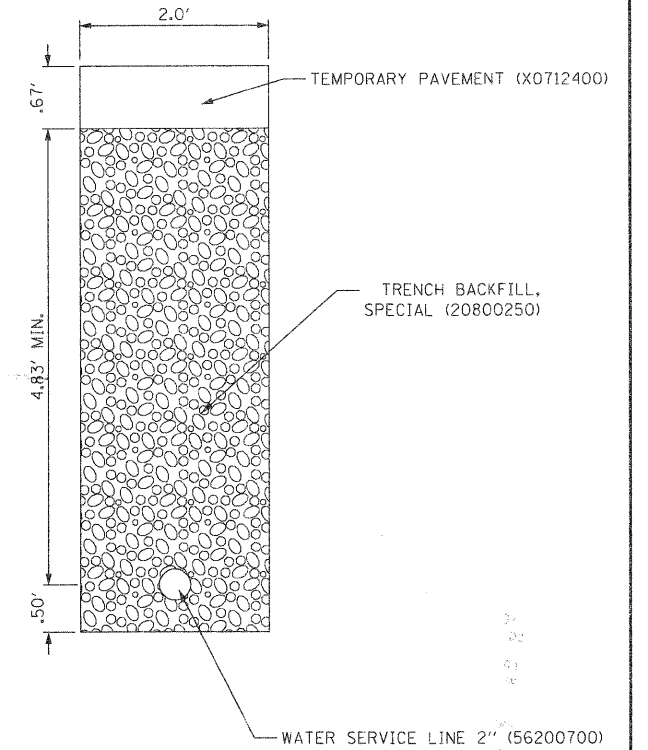
SIDE VIEW

WATER SERVICE LINE CROSS-SECTIONS

(NOT TO SCALE)



WATER SERVICE UNDER PARKWAY



WATER SERVICE UNDER PAVEMENT

REVISIONS / REMARKS					
NO.	DESCRIPTION	DATE	BY	DESIGNED BY:	JRM
		/ /		CHECKED BY:	MPK/JLC
		/ /		DATE:	1/22/2010

HDR 30 N LaSalle Street, Suite 3220
Chicago, IL 60682
312-443-4100
HDR Engineering, Inc.

LakeCounty
Division of Transportation

DETAILS

ROUTE	SECTION	SECTION NUMBER	SHEET	SHEETS
CH	136	04-00136-06-CH	107	107

63415

FILE NAME: