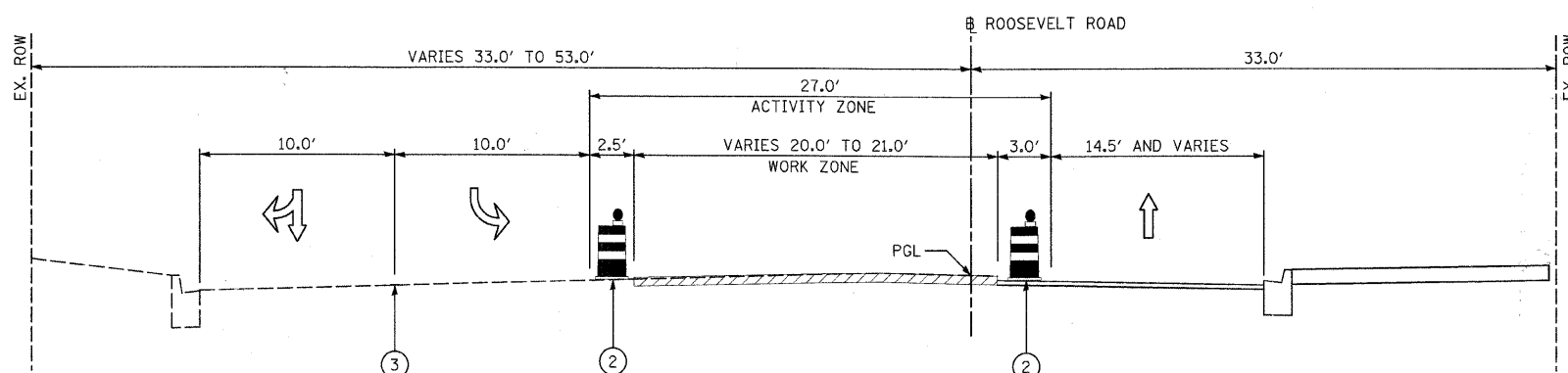
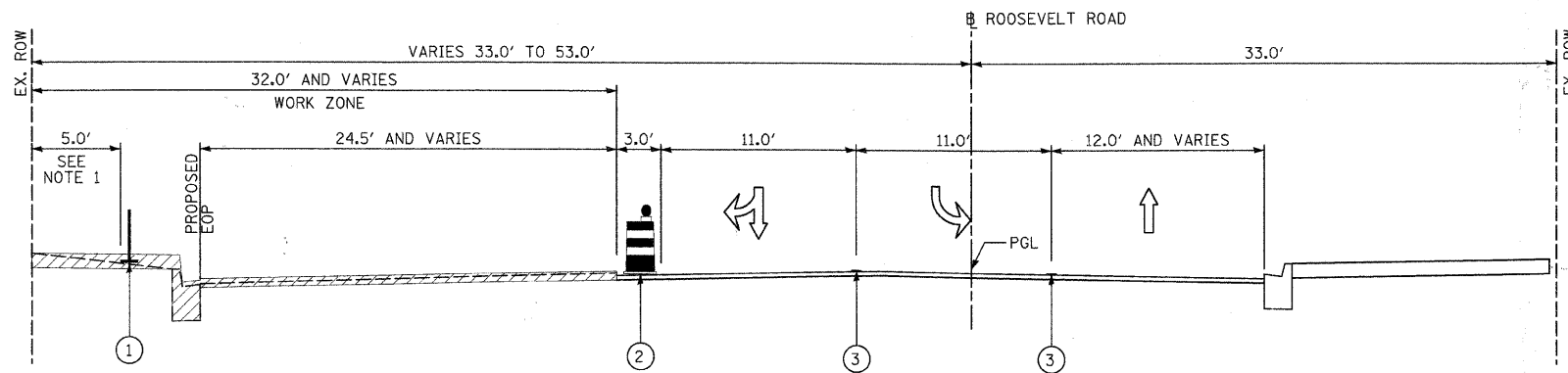


MAINTENANCE OF TRAFFIC THROUGH WORK ZONE  
 TYPICAL SECTION STAGE 1 (SUB-STAGE A)  
 STA. 99+89 TO STA. 102+28  
 (HARLEM AVE. TO MAPLE AVE.)  
 NOT TO SCALE



MAINTENANCE OF TRAFFIC THROUGH WORK ZONE  
 TYPICAL SECTION STAGE 1 (SUB-STAGE B)  
 STA. 99+89 TO STA. 102+28  
 (HARLEM AVE. TO MAPLE AVE.)  
 NOT TO SCALE



MAINTENANCE OF TRAFFIC THROUGH WORK ZONE  
 TYPICAL SECTION STAGE 1 (SUB-STAGE C)  
 STA. 99+89 TO STA. 102+28  
 (HARLEM AVE. TO MAPLE AVE.)  
 NOT TO SCALE

LEGEND

- ① TEMPORARY ORANGE HURRICANE FENCE
- ② TEMPORARY DRUM WITH WARNING LIGHT AT 25 FT SPACING (TYP.)
- ③ TEMPORARY PAVEMENT MARKING
- ▨ AREA UNDER CONSTRUCTION

NOTES:

1. CONTRACTOR TO MAINTAIN 5' MINIMUM PROTECTED PEDESTRIAN PATH AND BUILDING ACCESS THROUGHOUT CONSTRUCTION. SEE MAINTENANCE OF TRAFFIC GENERAL NOTES (SHEET 2 OF 2) FOR PEDESTRIAN PATH NOTES AND DETAILS.

|                                       |                  |               |           |   |  |                     |              |                    |                          |               |                    |                |
|---------------------------------------|------------------|---------------|-----------|---|--|---------------------|--------------|--------------------|--------------------------|---------------|--------------------|----------------|
| FILE NAME = DIRTE38-sht-staging06.dgn | USER NAME = IDOT | DESIGNED - MD | REVISOR - | <b>STATE OF ILLINOIS<br/>DEPARTMENT OF TRANSPORTATION</b> | <b>MAINTENANCE OF TRAFFIC<br/>TYPICAL SECTIONS - STAGE 1</b> |                     |              | F.A.P. RTE. = 347  | SECTION = 09-00248-00-RS | COUNTY = COOK | TOTAL SHEETS = 274 | SHEET NO. = 26 |
| PLOT SCALE = 5/8" = 1' IN.            | CHECKED - JB     | REVISOR -     | REVISOR - |   | SCALE: 1" = 20'  | SHEET NO. OF SHEETS | STA. TO STA. | CONTRACT NO. 63432 |                          |               |                    |                |
| PLOT DATE = 3/11/2018                 | DATE -           | REVISOR -     | REVISOR - |   | ILLINOIS FED. AID PROJECT                                    |                     |              |                    |                          |               |                    |                |
|                                       |                  |               |           |   |  |                     |              |                    |                          |               |                    |                |