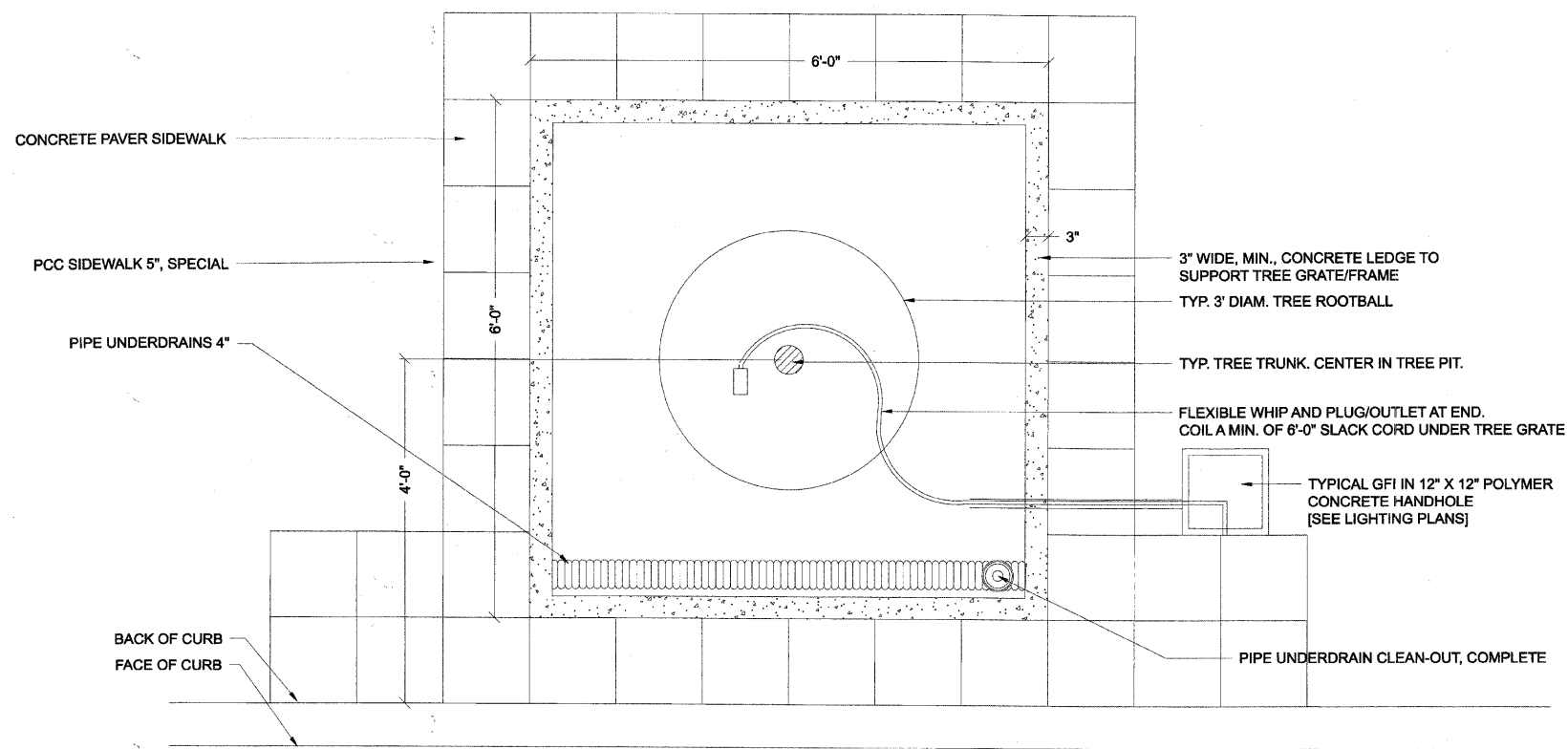
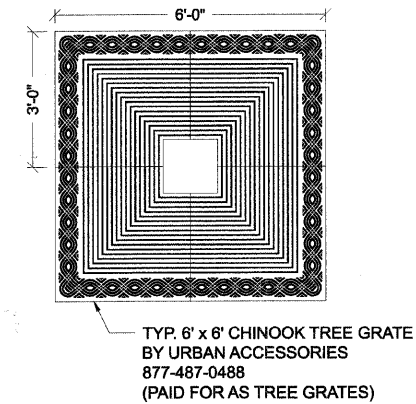


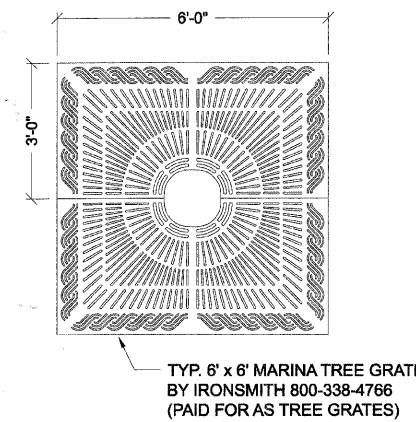
1 Tree Grate Mounting Detail
Scale: 1"=1'



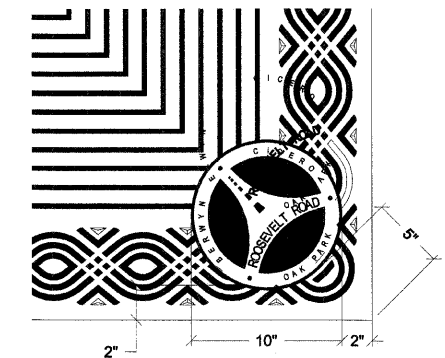
2 Typical Tree Pit Components
Scale: 1"=4'



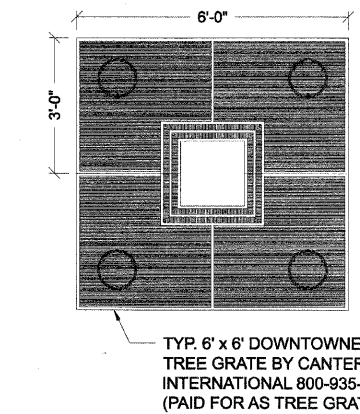
3 Tree Grates
Scale: 1"=4'



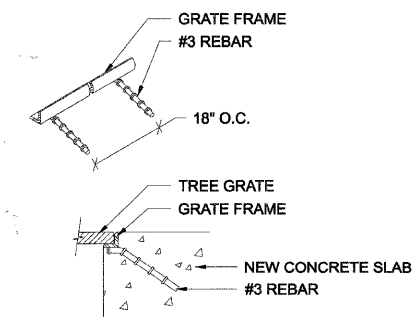
5 Tree Grates (approved equal)
Scale: 1"=4'



4 Custom Logo Detail (Included with Tree Grates)
Scale: 1"=1'



6 Tree Grates (approved equal)
Scale: 1"=4'



7 Grate Frame (include with Tree Grate)
Scale: 1"=2'

FILE NAME = DIRTE38-shr-landscp22.dgn	USER NAME = IDDT	DESIGNED - SC	REVISIONS	STATE OF ILLINOIS DEPARTMENT OF TRANSPORTATION	LANDSCAPE DETAILS			F.A.P. RTE. 347	SECTION 09-00248-00-RS	COUNTY COOK	TOTAL SHEETS 274	SHEET NO. 187
	PLOT SCALE = 20.0000' / 1" IN.	DRAWN - DG	REVISIONS		SCALE:	SHEET NO. 22 OF 28 SHEETS	STA.	TO STA.	CONTRACT NO. 63432			
	PLOT DATE = 3/11/2010	CHECKED - JB	REVISIONS		ILLINOIS FED. AID PROJECT							
		DATE	REVISIONS									