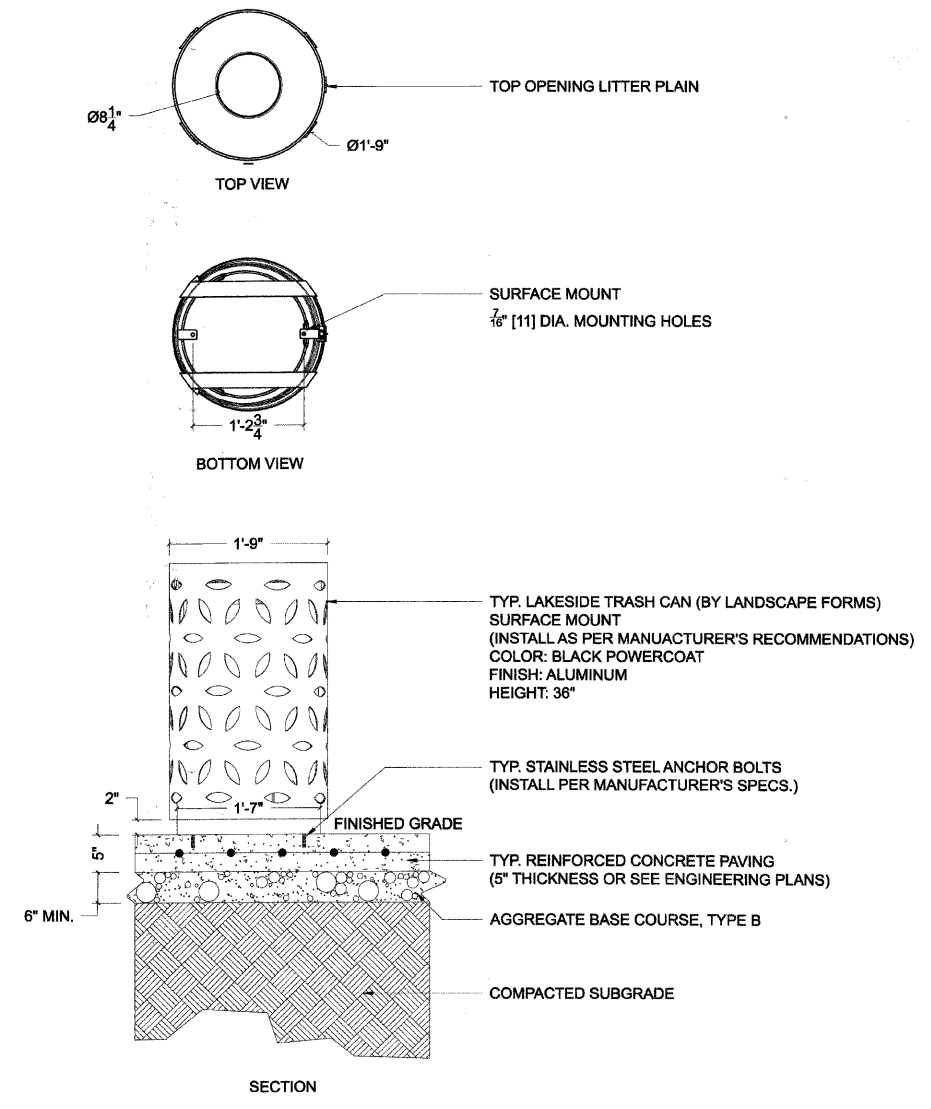


1 Bench (by others)
Scale: 1"=2'



2 Trash Receptacle (by others)
Scale: 1"=2'

| | | | | | | | | | | | | | |
|--|------------------------------|---------------|-----------|---|--------------------------|---------------------------|------|--------------------|---------|----------------|-----------------------------|--------------|-----|
| FILE NAME = DIRTE38-sht-landscp26.dgn | USER NAME = IDOT | DESIGNED - SC | REVISED - | STATE OF ILLINOIS DEPARTMENT OF TRANSPORTATION | LANDSCAPE DETAILS | | | F.A.P. RTE. | SECTION | COUNTY | TOTAL SHEETS | SHEET NO. | |
| | PLOT SCALE = 20.0000 1 / IN. | CHECKED - JB | REVISED - | | SCALE: 1" = 2' | SHEET NO. 26 OF 28 SHEETS | STA. | TO STA. | 347 | 09-00248-00-RS | COOK | 274 | 191 |
| | PLOT DATE = 3/11/2018 | DATE - | REVISED - | | | | | CONTRACT NO. 63432 | | | [ILLINOIS] FED. AID PROJECT | | |