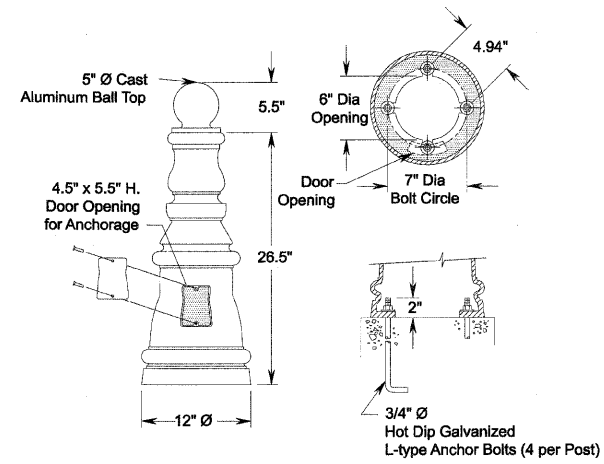
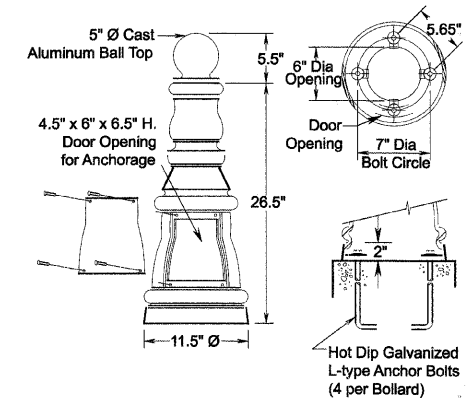


1 Bollard
Scale: NTS



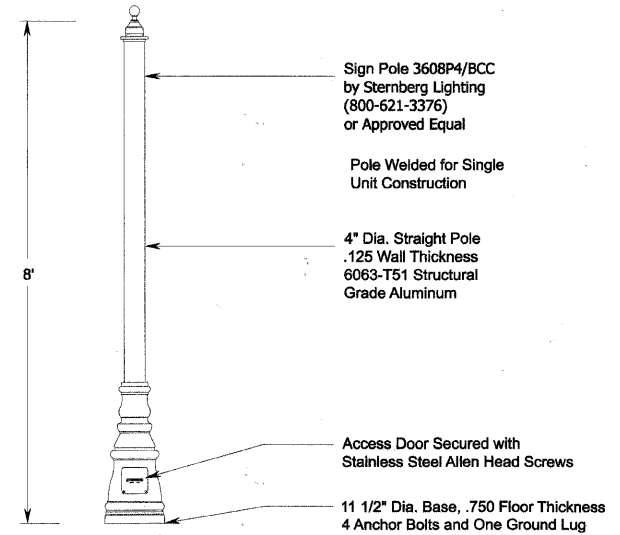
Mount Vernon Cast Aluminum Bollard by Holophane (630-689-2076)
Bollard Model #: BOL/M32/12/BT - CA/BK

2 Bollard (Approved Equal)
Scale: NTS

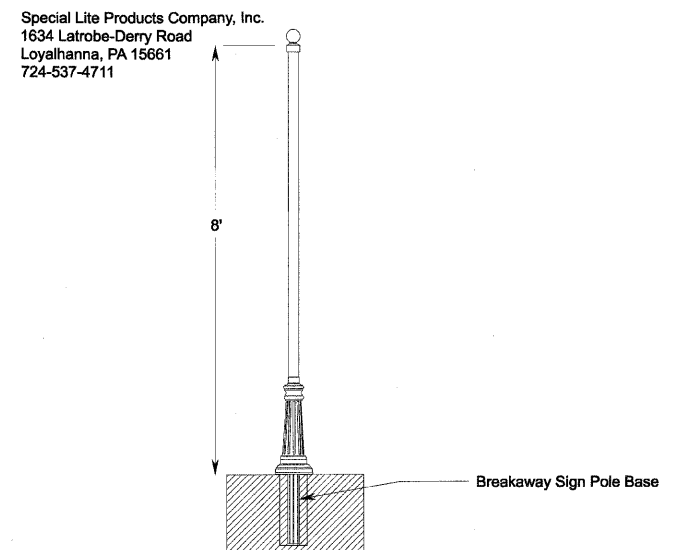


Montreal Cast Aluminum Bollard by Antique Street Lamps (800-410-8899)
Bollard Model #: BCA BMO12BT ANBK

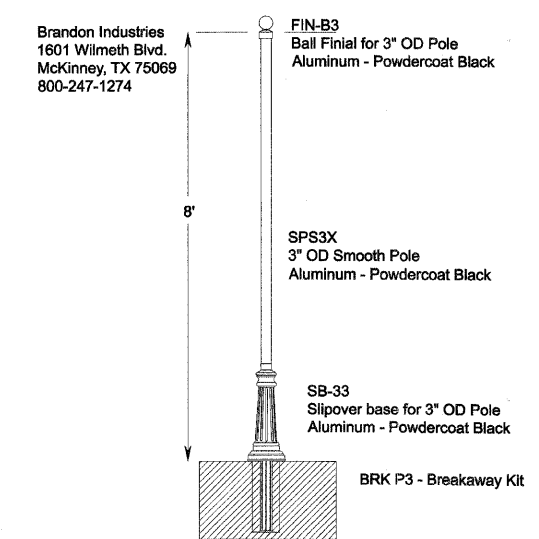
3 Bollard (Approved Equal)
Scale: NTS



4 Ornamental Sign Post
Scale: NTS



5 Ornamental Sign Post (Approved Equal)
Scale: NTS



6 Ornamental Sign Post (Approved Equal)
Scale: NTS