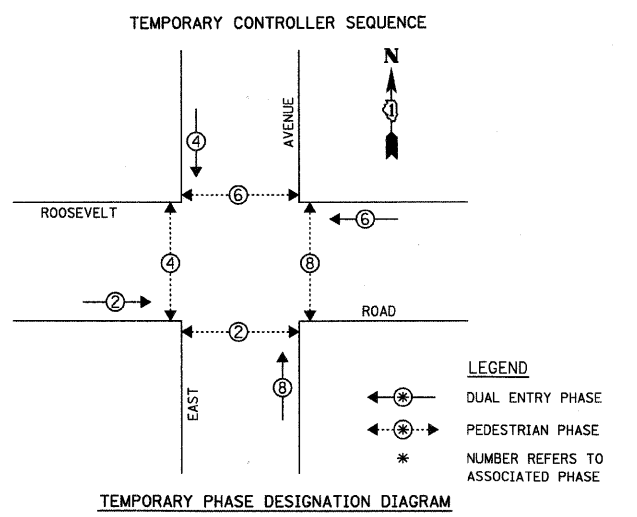
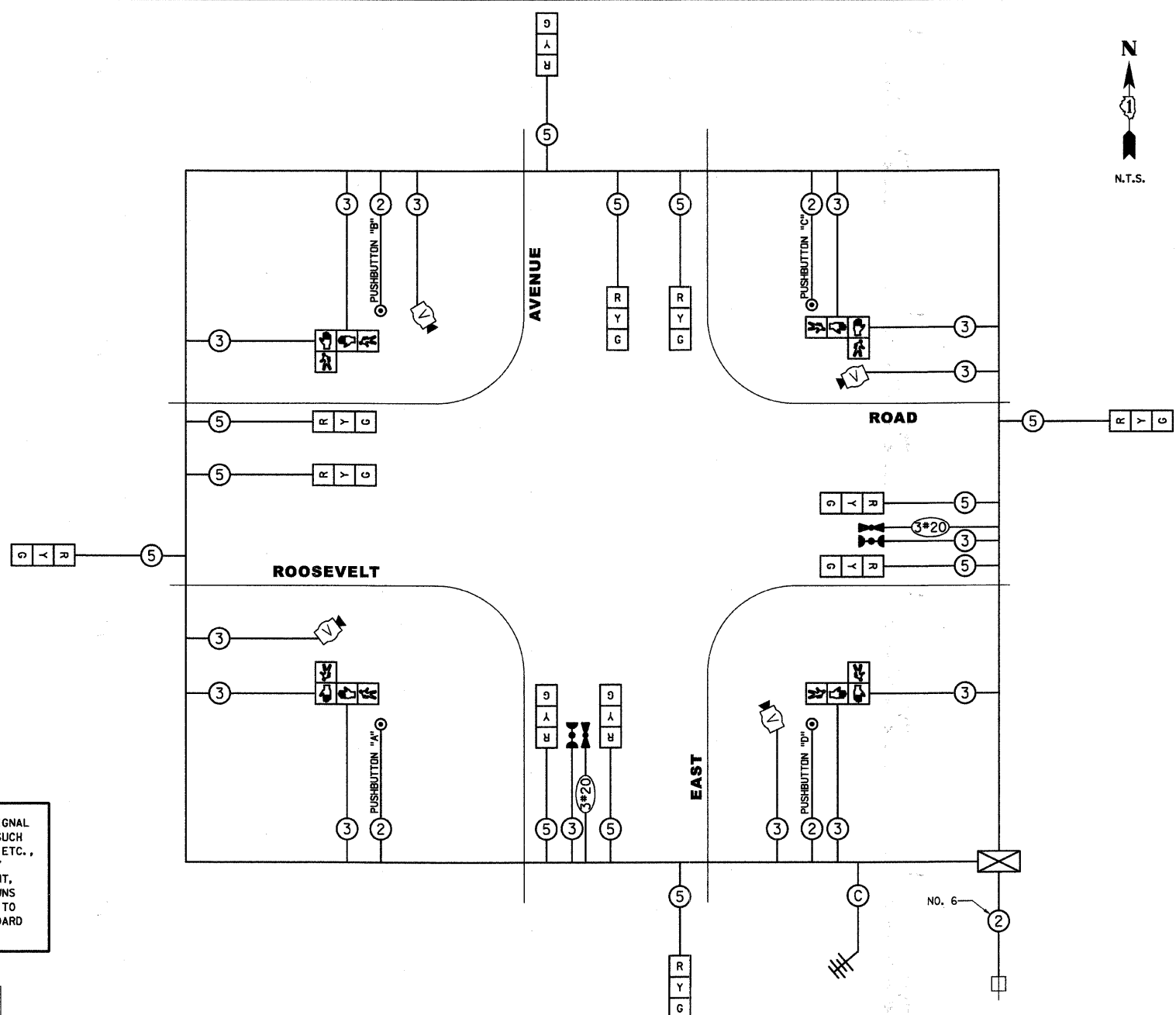


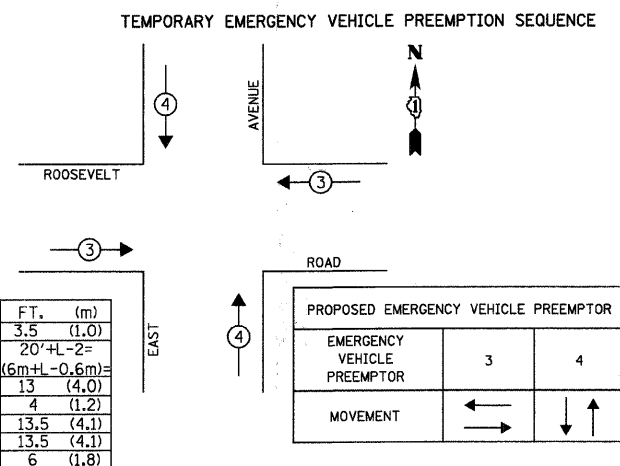
RESTORATION OF WORK AREA. RESTORATION OF THE TRAFFIC SIGNAL WORK AREA SHALL BE INCIDENTAL TO THE RELATED PAY ITEM SUCH AS FOUNDATION, CONDUIT, HANDHOLE, TRENCH AND BACKFILL, ETC., AND NO EXTRA COMPENSATION SHALL BE ALLOWED. ALL ROADWAY SURFACES SUCH AS SHOULDERS, MEDIANS, SIDEWALKS, PAVEMENT, ETC. SHALL BE REPLACED IN KIND. ALL DAMAGE TO MOWED LAWNS SHALL BE REPLACED WITH AN APPROVED SOD, AND ALL DAMAGE TO UNMOWED FIELDS SHALL BE SEEDED IN ACCORDANCE WITH STANDARD SPECIFICATIONS 252 AND 250 RESPECTIVELY.



I.D.O.T. TRAFFIC SIGNAL INSTALLATION ELECTRICAL SERVICE REQUIREMENTS					TOTAL WATTAGE
TYPE	NO. OF LAMPS	WATTAGE INCAND.	LED	% OPERATION	
SIGNAL (RED)	12	-	17	0.50	102.0
(YELLOW)	12	-	25	0.25	75.0
(GREEN)	12	-	15	0.25	45.0
ARROW	-	-	12	0.10	-
PED. SIGNAL	8	-	25	1.00	200.0
CONTROLLER	1	-	100	1.00	100.0
TOTAL =					522.0

PUSHBUTTON "A" SHALL PLACE A CALL IN PHASES 2 AND 4.  
 PUSHBUTTON "B" SHALL PLACE A CALL IN PHASES 4 AND 6.  
 PUSHBUTTON "C" SHALL PLACE A CALL IN PHASES 6 AND 8.  
 PUSHBUTTON "D" SHALL PLACE A CALL IN PHASES 2 AND 8.

NOTE:  
 THE TRAFFIC SIGNAL CONTROLLER EQUIPMENT FOR THIS PROJECT SHALL BE "ECONOLITE" TO MATCH THE EXISTING ADJACENT SYSTEM.



ENERGY COSTS TO: TOTAL = 522.0  
 ILLINOIS DEPARTMENT OF TRANSPORTATION  
 DIVISION OF HIGHWAY/DISTRICT 1  
 201 WEST CENTER COURT/SCHAUMBURG, ILLINOIS 60196-1096  
 ENERGY SUPPLY: CONTACT: MIKE BELL  
 PHONE: (708) 410-5314  
 COMPANY: COMED

FOUNDATION (DEPTH)	FT. (m)	CABLE SLACK	FT. (m)	VERTICAL	FT. (m)
TYPE A - POST	4 (1.2)	HANDHOLE	6.5 (2.0)	ALL FOUNDATIONS	3.5 (1.0)
D - CONTROLLER	4 (1.2)	DOUBLE HANDHOLE	13 (4.0)	MAST ARM (L) POLE	20'±L-2'±
C - M. ARM POLE		SIGNAL POST	2 (1.0)	(6m±L-0.6m)±	
24" (600mm)	10 (3.0)	CONTROLLER CAB.	1 (0.5)	BRACKET MOUNTED	13 (4.0)
30" (750mm)	15 (4.6)	FIBER OPTIC	13 (4.0)	PED. PUSHBUTTON	4 (1.2)
		ELECTRIC SERVICE	1 (0.5)	ELECTRIC SERVICE	13.5 (4.1)
		GROUND CABLE	1 (0.5)	SERVICE TO GROUND	13.5 (4.1)
				POST MOUNTED	6 (1.8)