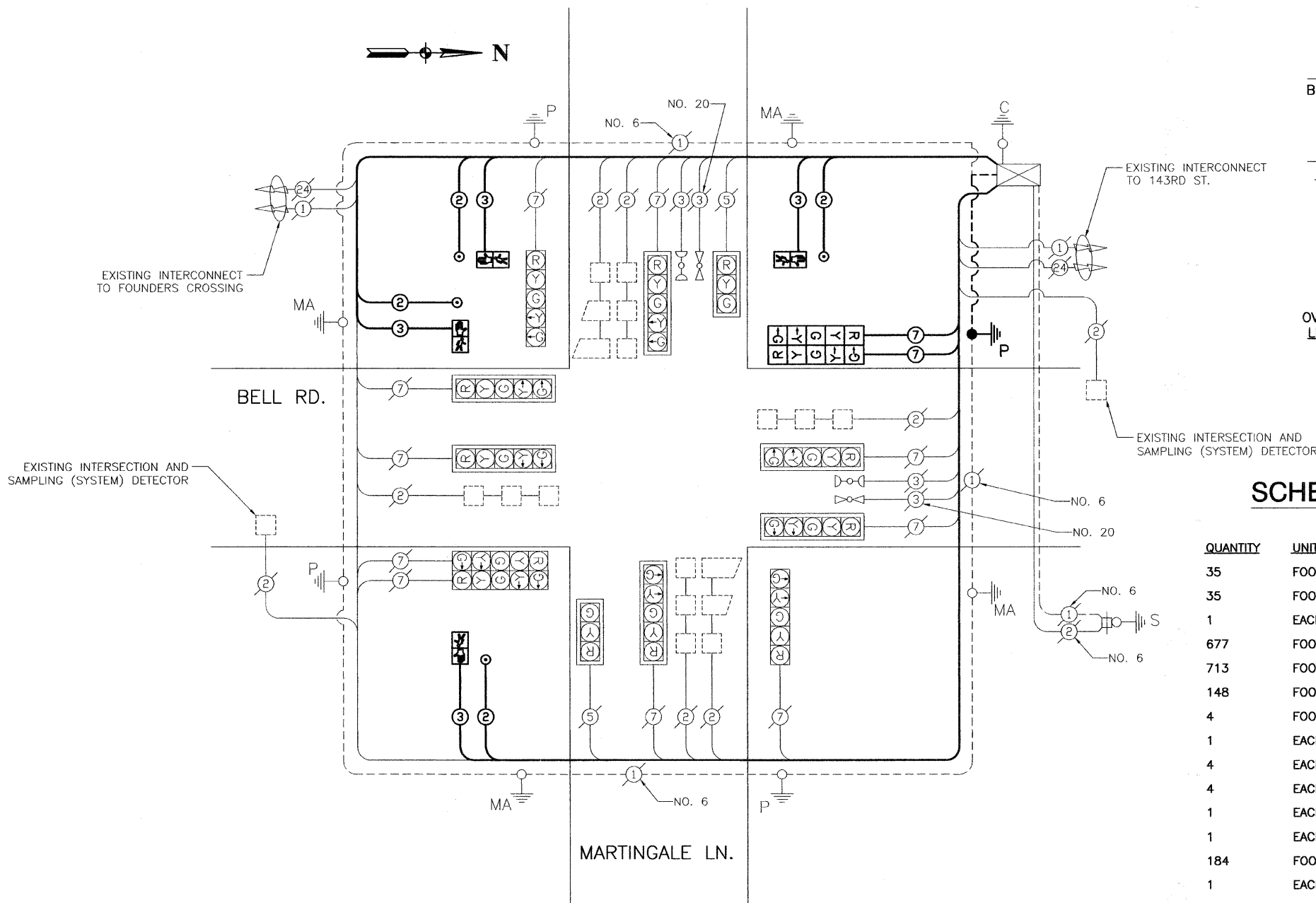
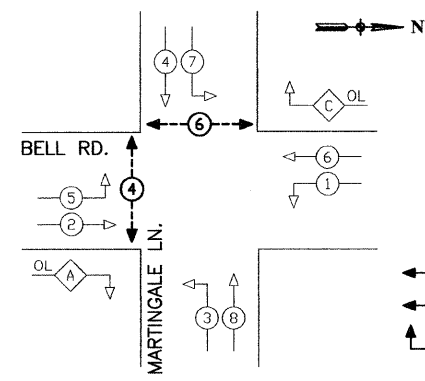


CABLE PLAN



CONTROLLER SEQUENCE



PHASE DESIGNATION DIAGRAM

OVERLAP LETTER	PERMISSIVE PHASE	PROTECTED PHASE
A	= 2	+ 3
C	= 6	+ 7

LEGEND

- ◀*▶ DUAL ENTRY PHASE
- ◀* SINGLE ENTRY PHASE
- ◀*▶ OL OVERLAP
- ◀*▶ PEDESTRIAN PHASE
- * NUMBER REFERS TO ASSOCIATED PHASE

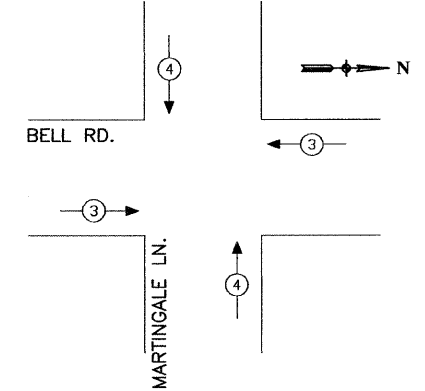
SCHEDULE OF QUANTITIES

QUANTITY	UNIT	ITEM DESCRIPTION
35	FOOT	CONDUIT IN TRENCH, 2 1/2" DIA., GALVANIZED STEEL
35	FOOT	TRENCH AND BACKFILL FOR ELECTRICAL WORK
1	EACH	MAINTENANCE OF EXISTING TRAFFIC SIGNAL INSTALLATION
677	FOOT	ELECTRIC CABLE IN CONDUIT, SIGNAL NO. 14 2C
713	FOOT	ELECTRIC CABLE IN CONDUIT, SIGNAL NO. 14 3C
148	FOOT	ELECTRIC CABLE IN CONDUIT, SIGNAL NO. 14 7C
4	FOOT	CONCRETE FOUNDATION, TYPE A
1	EACH	DRILL EXISTING HANDHOLE
4	EACH	PEDESTRIAN SIGNAL HEAD, POLYCARBONATE, LED, 1-FACE, BRACKET MOUNTED
4	EACH	PEDESTRIAN PUSH-BUTTON
1	EACH	RELOCATE EXISTING TRAFFIC SIGNAL POST
1	EACH	MODIFY EXISTING CONTROLLER
184	FOOT	REMOVE ELECTRIC CABLE FROM CONDUIT
1	EACH	REMOVE TRAFFIC SIGNAL POLE FOUNDATION
53	FOOT	ELECTRIC CABLE IN CONDUIT, GROUNDING, NO. 6 1C

*NOTES:

1. THIS CABLE PLAN INCLUDES THE EXISTING TRAFFIC SIGNAL EQUIPMENT FOR THE PURPOSE OF INSTALLING PEDESTRIAN SIGNAL EQUIPMENT AS INDICATED IN THE SCHEDULE OF QUANTITIES.
2. THE PEDESTRIAN SIGNAL EQUIPMENT INSTALLATION WILL INCREASE THE TOTAL WATTAGE FOR ELECTRICAL SERVICE FROM 388 TO 488.

EMERGENCY VEHICLE PREEMPTION SEQUENCE



EXISTING EMERGENCY VEHICLE PREEMPTORS

EMERGENCY VEHICLE PREEMPTOR	3	4
MOVEMENT	←	↑
	→	↓

I.D.O.T. TRAFFIC SIGNAL INSTALLATION ELECTRICAL SERVICE REQUIREMENTS					TOTAL WATTAGE
TYPE	NO. LAMPS	WATTAGE INCAND.	WATTAGE LED	% OPERATION	
SIGNAL (RED)	14	135	17	0.50	102
(YELLOW)	14	135	25	0.25	87.5
(GREEN)	14	135	15	0.25	52.5
ARROW	24	135	12	0.10	29
PED. SIGNAL	4	90	25	1.00	100
CONTROLLER	1	100	100	1.00	100
ILLUM. SIGN		84		0.05	
LIGHTS		250		0.25	
FLASHER				0.50	
ENERGY COSTS TO:	TOTAL =				488

WILL COUNTY DEPARTMENT OF HIGHWAYS
18841 WEST LARAWAY ROAD
JOLIET, IL 60433

ENERGY SUPPLY CONTACT: COM-ED BUSINESS DEPARTMENT
PHONE: 888-639-3532
COMPANY: COMMONWEALTH EDISON COMPANY

REVISIONS	
NAME	DATE

ILLINOIS DEPARTMENT OF TRANSPORTATION

HOMER GLEN GMAQ COMMUNITY BIKE TRAIL AND EAST EXTENSION TRAFFIC SIGNAL CABLE PLAN

SCALE: VERT. N/A
HORIZ. 1=1

DATE: FEBRUARY 2, 2010

DRAWN BY: JRA
CHECKED BY: BDB

ROBINSON ENGINEERING, LTD.
17002 SOUTH PARK AVENUE, SOUTH HOLLAND, ILLINOIS 60470
(708) 381-6700 FAX (708) 381-3866
ILLINOIS DESIGN FIRM REGISTRATION NO. 19400128

06221-SGNL-01