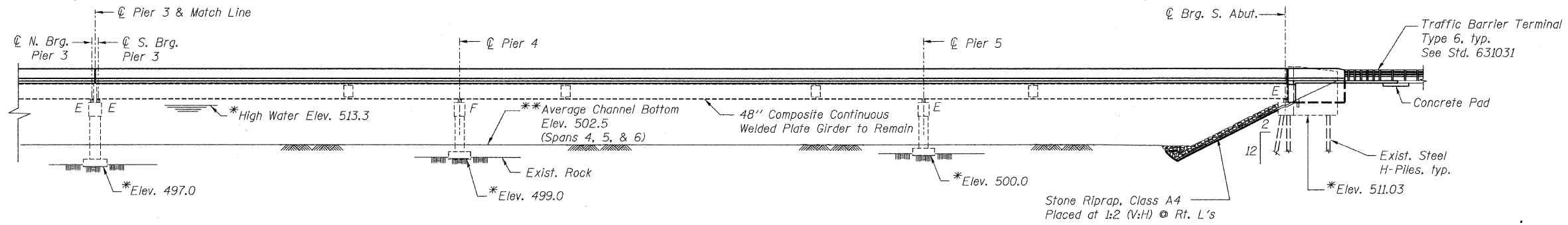
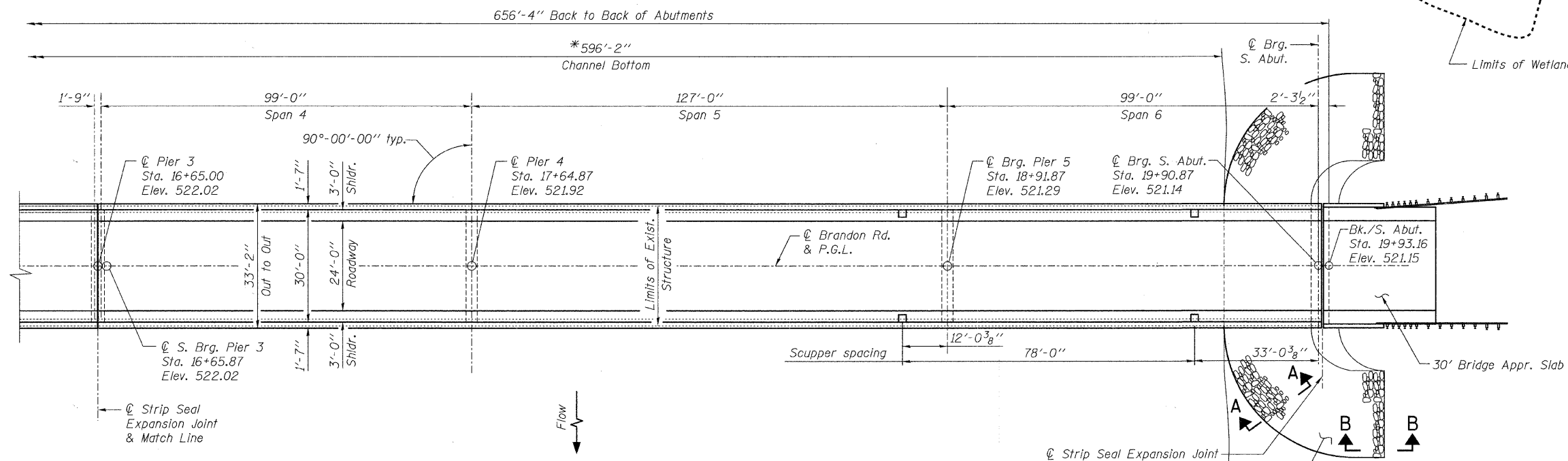


STATE OF ILLINOIS
DEPARTMENT OF TRANSPORTATION

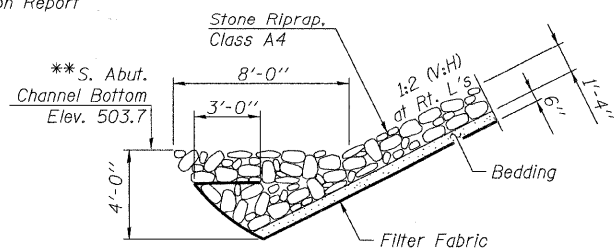


PART ELEVATION

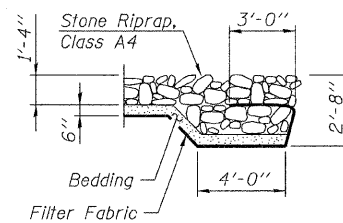


PART PLAN

* Data taken from existing plans.
** Data taken from 2006 Underwater Investigation Report



SECTION A-A



SECTION B-B

benesch

alfred benesch & company
Engineers • Surveyors • Planners
202 North Michigan Avenue, Suite 2400
Chicago, Illinois 60601
312-565-0450 Job No. 3808.02

DESIGNED -	JLS
CHECKED -	MRB
DRAWN -	VH
CHECKED -	KWS

GENERAL PLAN AND ELEVATION 2 OF 2
STRUCTURE NO. 099-3298

SHEET NO. S2	F.A.U. RTE.	SECTION	COUNTY	TOTAL SHEETS	SHEET NO.
	341	04-00090-07-BR	WILL	57	10
S47 SHEETS	CONTRACT NO. 63442				
FED. ROAD DIST. NO.		ILLINOIS	FED. AID PROJECT		