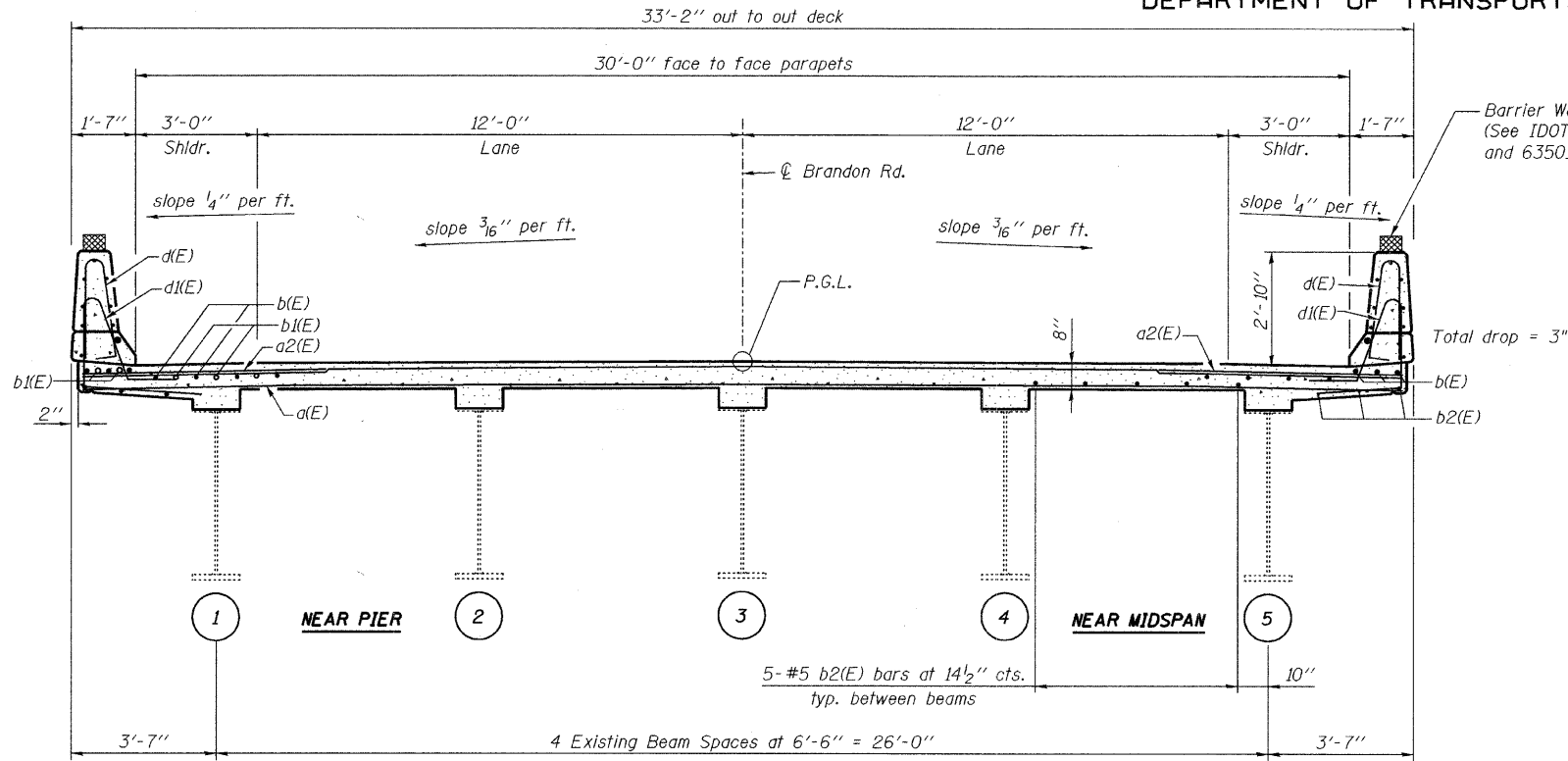
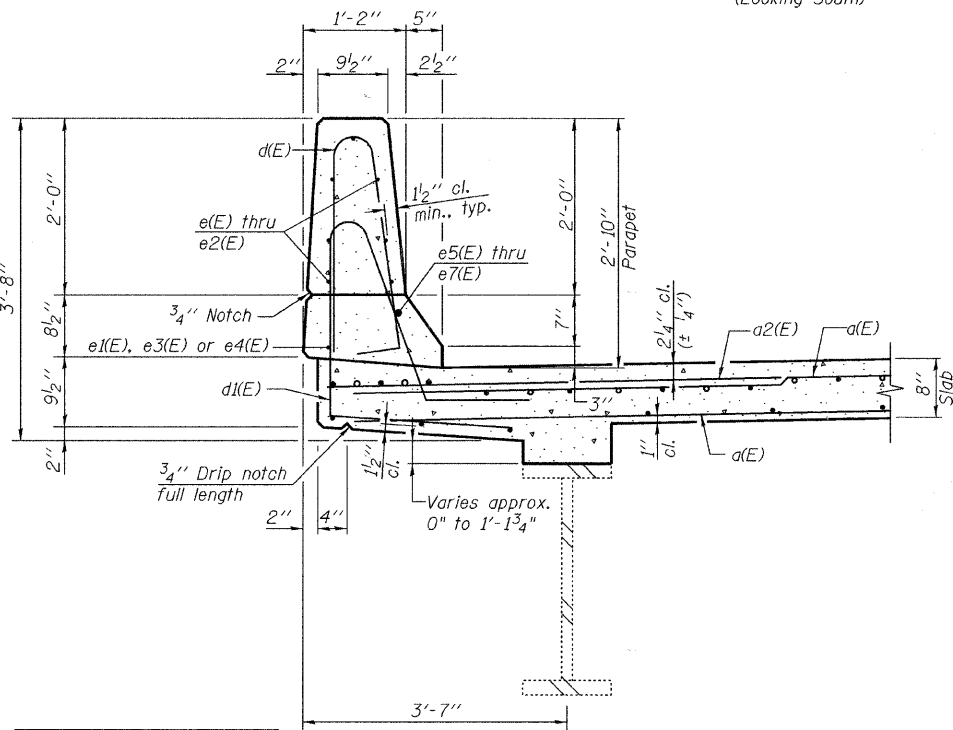


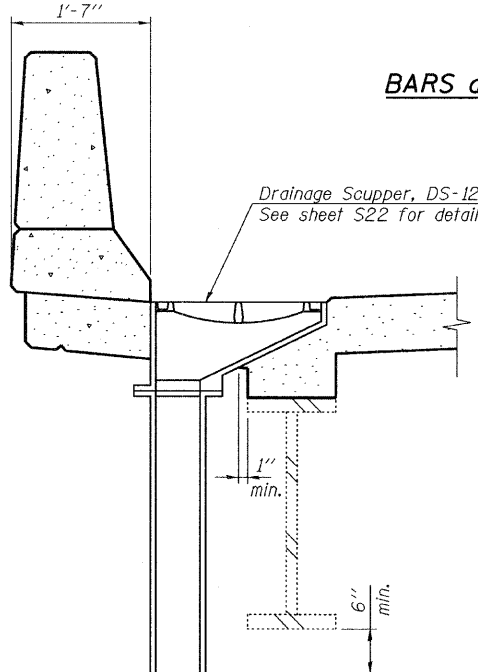
STATE OF ILLINOIS
DEPARTMENT OF TRANSPORTATION



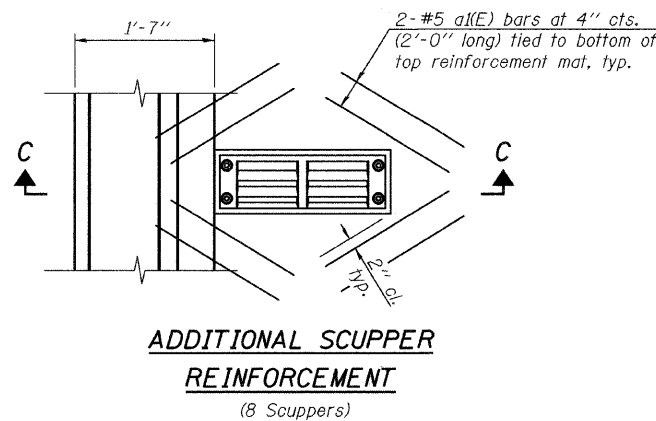
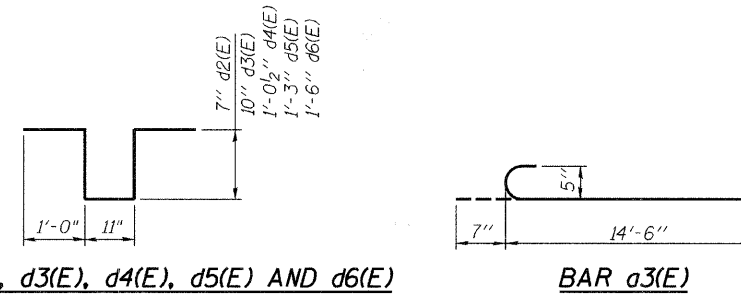
CROSS SECTION
(Looking South)



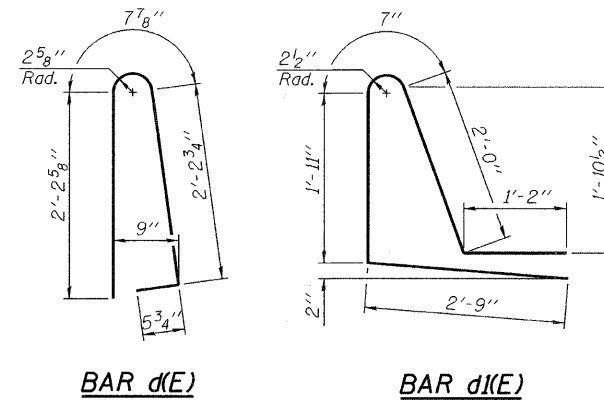
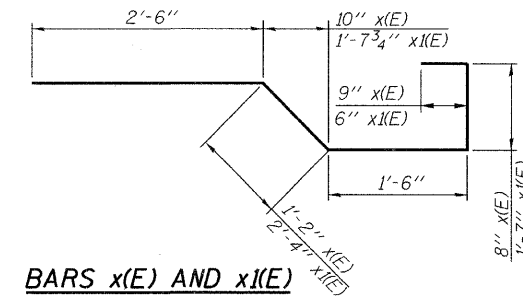
SECTION THRU PARAPET



SECTION C-C



- NOTES:**
1. Drains shall be located clear of all diaphragms.
 2. Cut longitudinal reinforcement to clear drainage scuppers.



**SUPERSTRUCTURE
BILL OF MATERIAL**

Bar	No.	Size	Length	Shape
a(E)	1768	*5	32'-6"	—
a1(E)	64	*5	2'-0"	—
a2(E)	984	*6	6'-6"	—
a3(E)	24	*5	15'-9"	—
a4(E)	6	*5	25'-9"	—
b(E)	864	*5	30'-3"	—
b1(E)	396	*6	26'-3"	—
b2(E)	572	*5	32'-9"	—
b3(E)	240	*4	29'-3"	—
d(E)	1428	*5	5'-7"	U
d1(E)	1428	*5	8'-5"	U
d2(E)	1170	*4	4'-7"	U
d3(E)	290	*4	4'-7"	U
d4(E)	585	*4	5'-0"	U
d5(E)	560	*4	5'-5"	U
d6(E)	680	*4	5'-11"	U
e(E)	280	*4	15'-9"	—
e1(E)	128	*4	19'-3"	—
e2(E)	140	*4	17'-4"	—
e3(E)	24	*4	28'-2"	—
e4(E)	12	*4	30'-9"	—
e5(E)	24	*8	30'-4"	—
e6(E)	16	*8	19'-3"	—
e7(E)	12	*8	32'-10"	—
x(E)	40	*6	6'-7"	—
x1(E)	40	*6	8'-5"	—
Reinforcement Bars, Epoxy Coated			Pound	179,650
Concrete Superstructure			Cu. Yd.	806.6

DESIGNED -	JLS
CHECKED -	MRB
DRAWN -	VH/MB
CHECKED -	KWS

**DECK CROSS SECTION AND DETAILS
STRUCTURE NO. 099-3298**

SHEET NO. S17 S47 SHEETS	F.A.U. RTE.	SECTION	COUNTY	TOTAL SHEETS	SHEET NO.
	341	04-00090-07-BR	WILL	57	25
FED. ROAD DIST. NO.			ILLINOIS	FED. AID PROJECT	
			CONTRACT NO. 63442		

benesch

alfred benesch & company
Engineers - Surveyors - Planners
208 North Michigan Avenue, Suite 2400
Chicago, Illinois 60601
312-565-0450 Job No. 3808.02