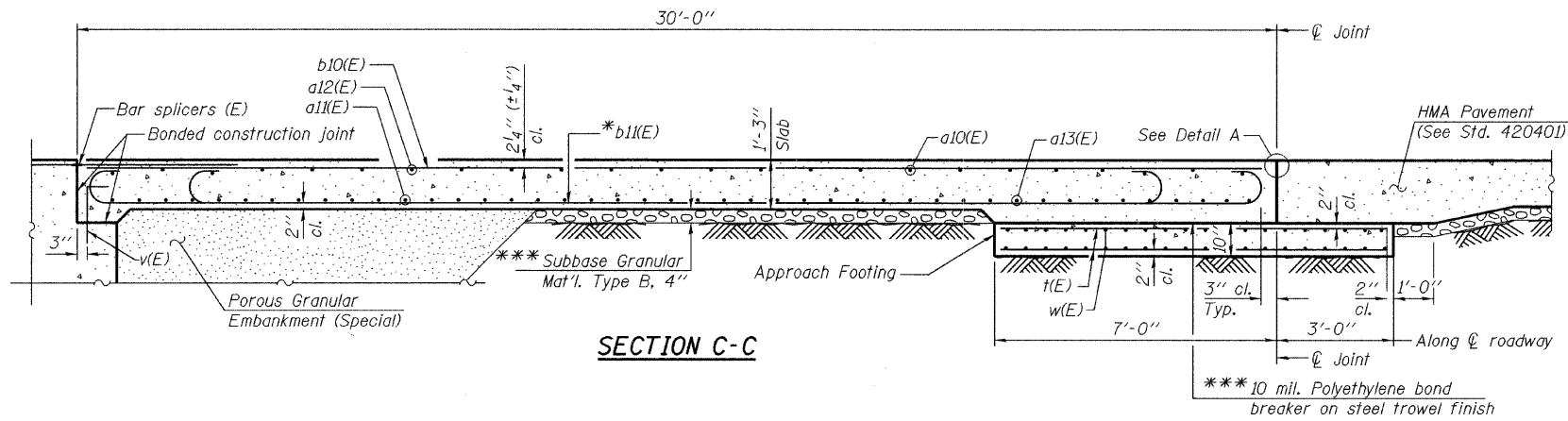
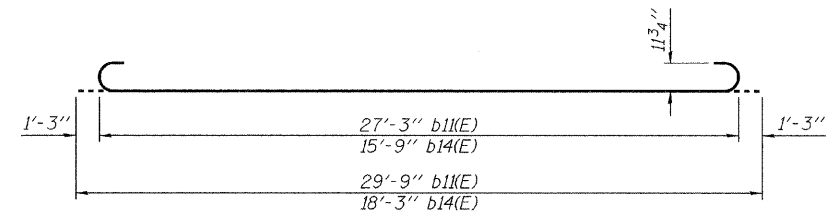
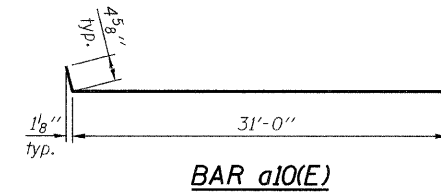
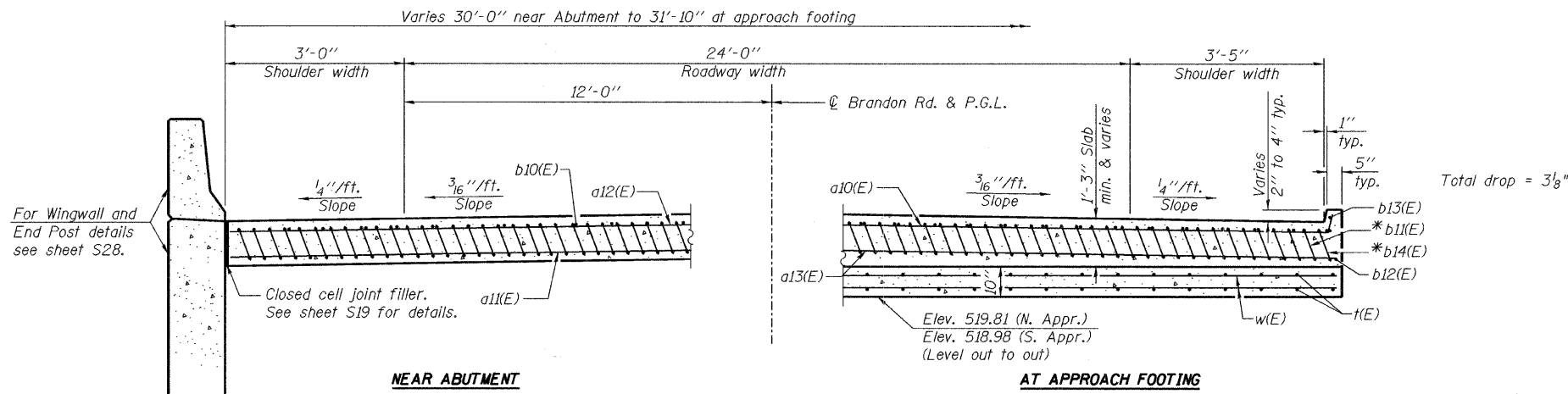


STATE OF ILLINOIS  
DEPARTMENT OF TRANSPORTATION

TWO APPROACHES  
BILL OF MATERIAL



Bar	No.	Size	Length	Shape
a10(E)	26	#4	31'-9"	U
a11(E)	42	#5	29'-8"	U
a12(E)	24	#4	29'-8"	U
a13(E)	50	#5	31'-6"	U
b10(E)	50	#4	29'-8"	U
b11(E)	146	#9	29'-9"	U
b12(E)	4	#4	15'-9"	U
b13(E)	4	#4	15'-8"	U
b14(E)	4	#9	18'-3"	U
t(E)	132	#4	9'-8"	U
w(E)	80	#5	31'-6"	U
Concrete Superstructure				Cu. Yd. 93.4
Concrete Structures				Cu. Yd. 19.7
Reinforcement Bars, Epoxy Coated				Pound 23,560

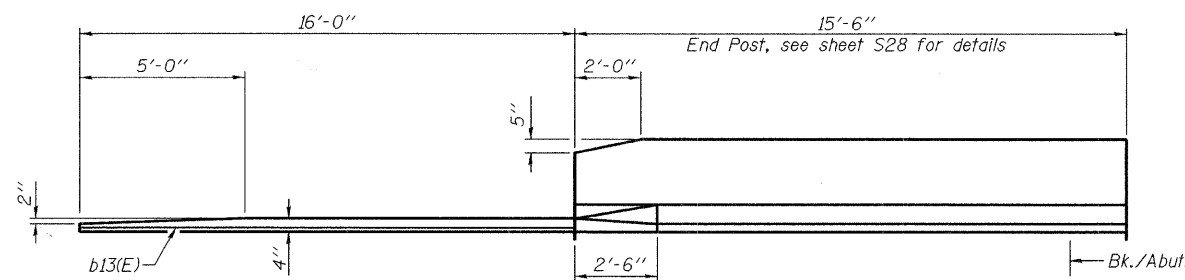


SECTION D-D  
(See Plan for dimensions not shown)

\* Tilt #9 b11(E) and b14(E) bars as required to maintain clearance.  
\*\*\* Cost included with Concrete Superstructure.

NOTES:

- For Detail A and View B-B see sheet S19.
- Approach slab and parapet concrete shall be paid for as Concrete Superstructure.
- Approach footing concrete shall be paid for as Concrete Structures.
- Reinforcement shall be paid for as Reinforcement Bars, Epoxy Coated.
- For v(E) bar details see sheet S27.
- The approach footing maximum applied service bearing pressure (Qmax) = 2.0 ksf.
- For bar splicer details see sheet S34.
- Cost of excavation for approach footing included with Concrete Structures.
- For Porous Granular Embankment (Special) and drainage treatment details see sheet S29.



VIEW E-E

DESIGNED -	JLS
CHECKED -	MRB
DRAWN -	VH/MB
CHECKED -	KWS

benesch

alfred benesch & company  
Engineers - Surveyors - Planners  
205 North Michigan Avenue, Suite 2400  
Chicago, Illinois 60601  
312-565-0490 Job No. 3808.02

SHEET NO. S20 S47 SHEETS	F.A.U. RTE.	SECTION	COUNTY	TOTAL SHEETS	SHEET NO.
	341	04-00090-07-BR	WILL	57	28
FED. ROAD DIST. NO.			ILLINOIS FED. AID PROJECT		
			CONTRACT NO. 63442		

BRIDGE APPROACH SLAB DETAILS  
2 OF 2  
STRUCTURE NO. 099-3298

x:\3808\02\engineer\mg\_documents\phase\_11\brandon\_road\_bridg\final\0993298-63442-020-eps\l2.dgn 10:03:58 AM 1/22/2010