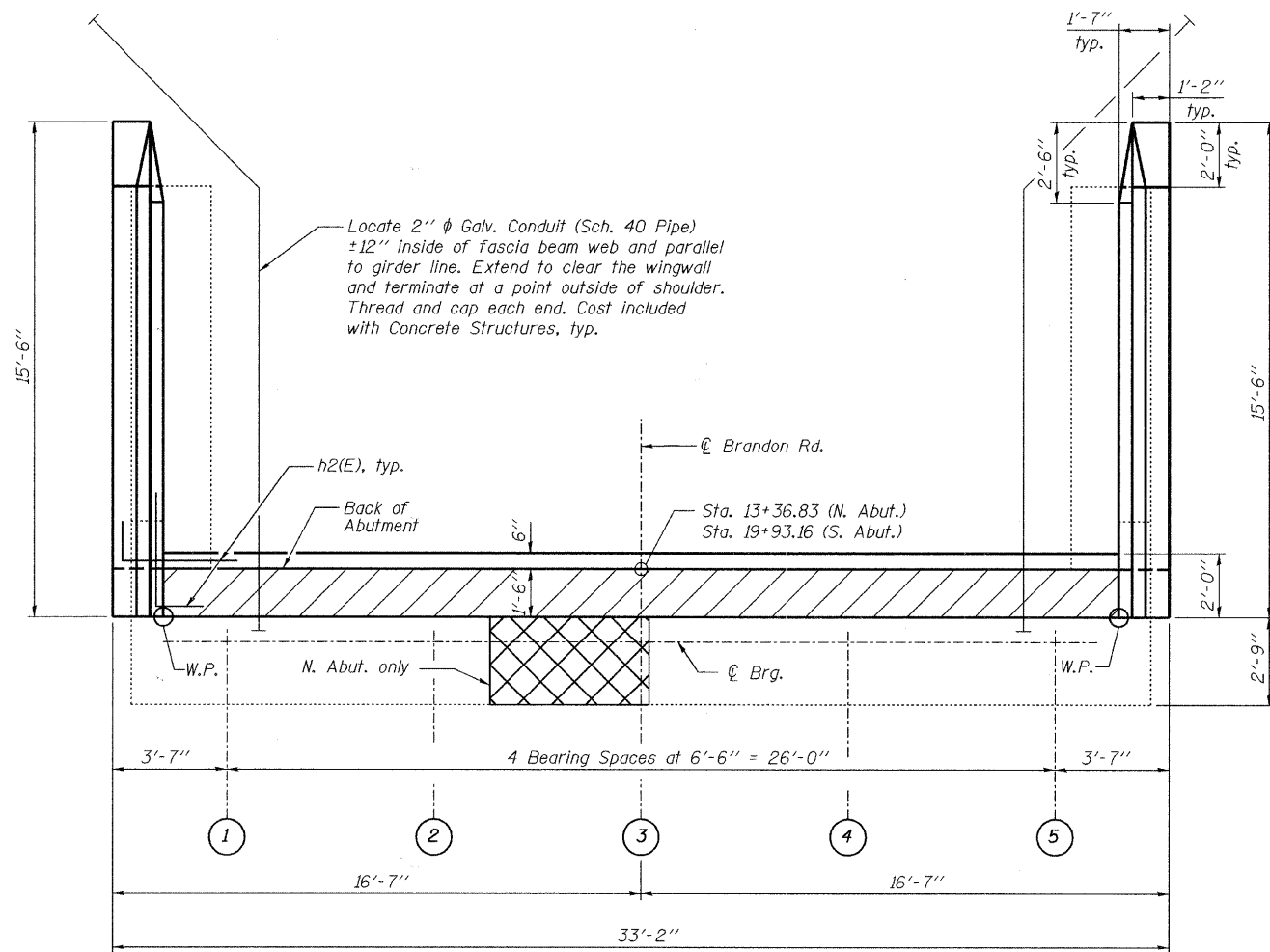
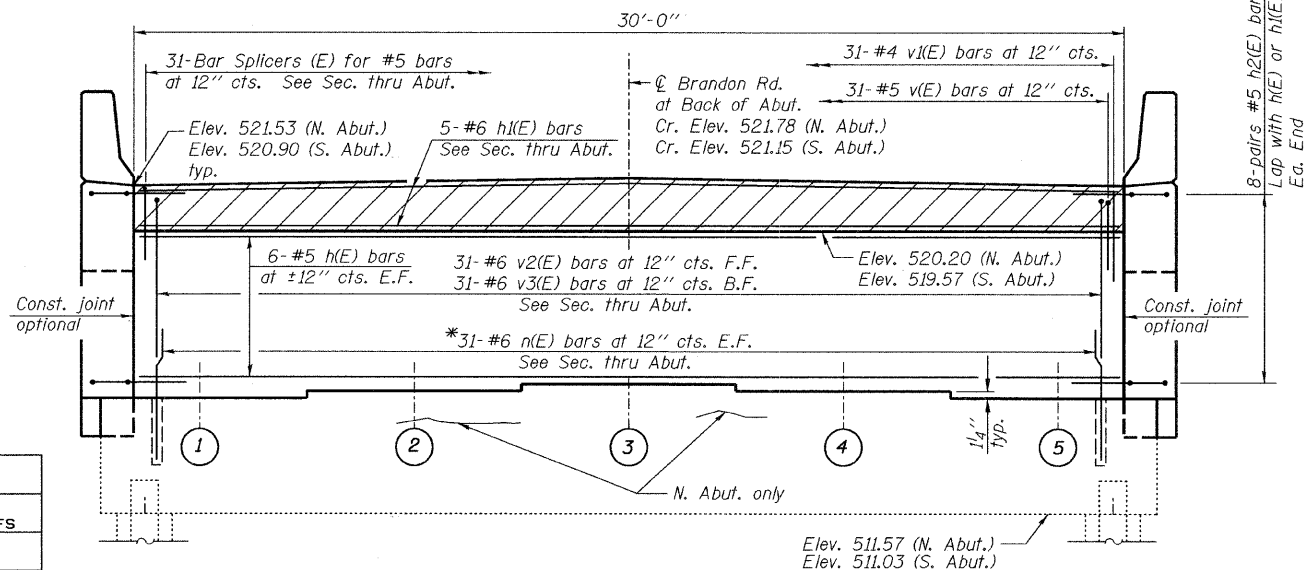


STATE OF ILLINOIS
DEPARTMENT OF TRANSPORTATION

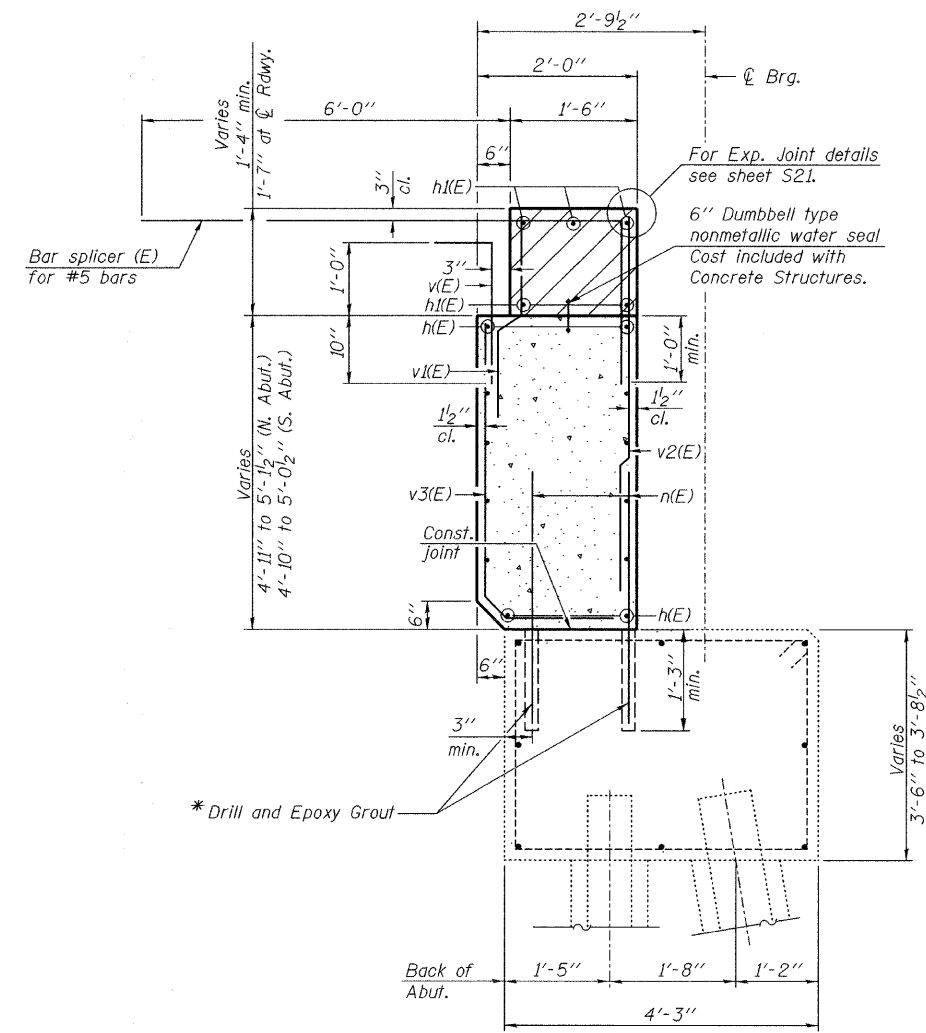


PLAN

(S. Abut. shown, N. Abut. opposite hand)



ELEVATION
(Looking South)



SEC. THRU ABUT.

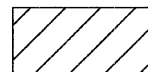
* Drill and Epoxy Grout rebar according to Section 584 of the Std. Specifications. Cost included with Concrete Structures.



indicates Epoxy Crack Injection



indicates Structural Repair of Concrete (Depth Equal to or Less Than 5 Inches)



indicates area to be poured after superstructure forms have been removed

NOTE:

Crack widths are $\frac{1}{8}'' \pm \frac{1}{16}''$ unless otherwise noted.

DESIGNED -	JLS
CHECKED -	KWS/EFS
DRAWN -	VH/MB
CHECKED -	KWS

benesch

alfred benesch & company
Engineers - Surveyors - Planners
205 North Michigan Avenue, Suite 2400
Chicago, Illinois 60601
312-565-0450 Job No. 3808.02

SHEET NO. S27	F.A.U. RTE.	SECTION	COUNTY	TOTAL SHEETS	SHEET NO.
	341	04-00090-07-BR	WILL	57	35
S47 SHEETS	CONTRACT NO. 63442				
FED. ROAD DIST. NO.		ILLINOIS FED. AID PROJECT			

ABUTMENT DETAILS 1 OF 3
STRUCTURE NO. 099-3298