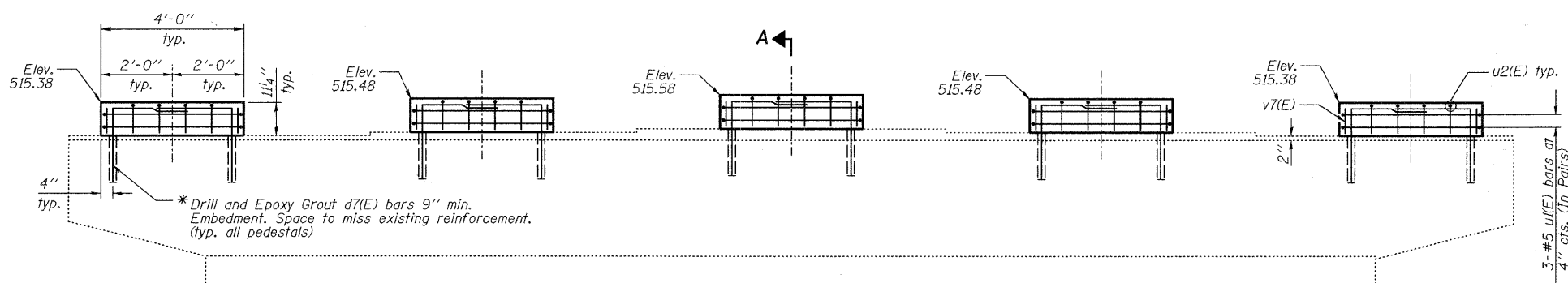
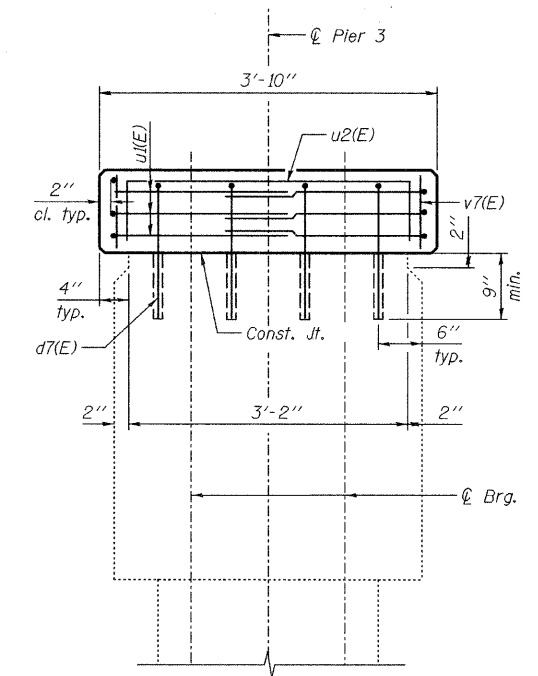
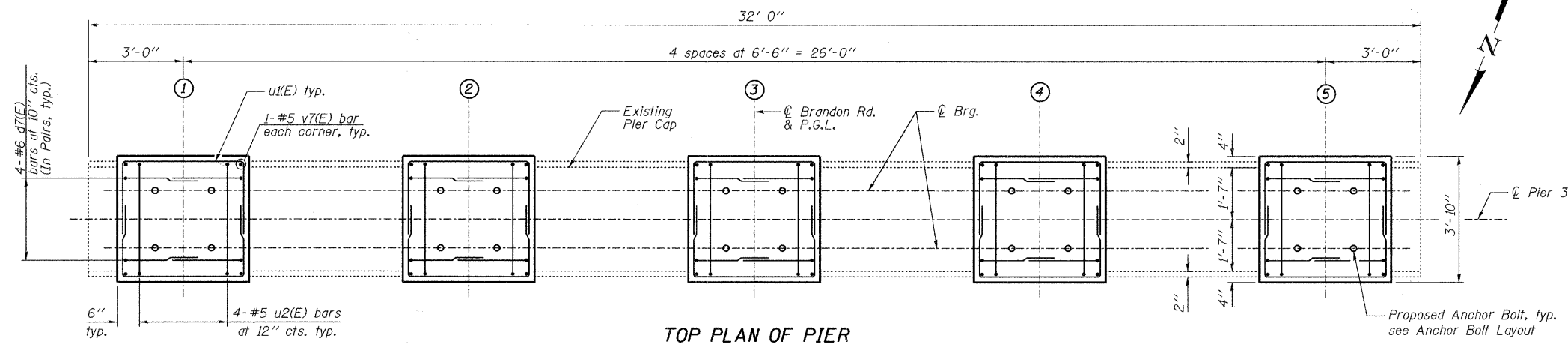


STATE OF ILLINOIS
DEPARTMENT OF TRANSPORTATION



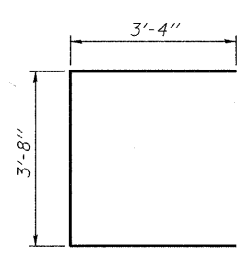
* Drill and Epoxy Grout rebar according to Section 584 of the Std. Specifications. Cost included with Concrete Structures.

ELEVATION
(Looking South)

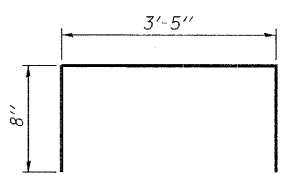
BILL OF MATERIAL

Bar	No.	Size	Length	Shape	
d7(E)	40	#6	4'-9"	U	
u1(E)	30	#5	10'-4"	U	
u2(E)	20	#5	4'-9"	U	
v7(E)	20	#5	0'-9"	U	
Concrete Structures				Cu. Yd.	2.7
Reinforcement Bars, Epoxy Coated				Pound	730
Concrete Sealer				Sq. Ft.	192

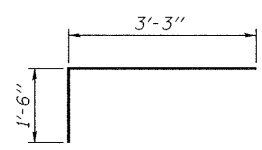
NOTE:
Space pedestal reinforcement to miss proposed anchor bolts.



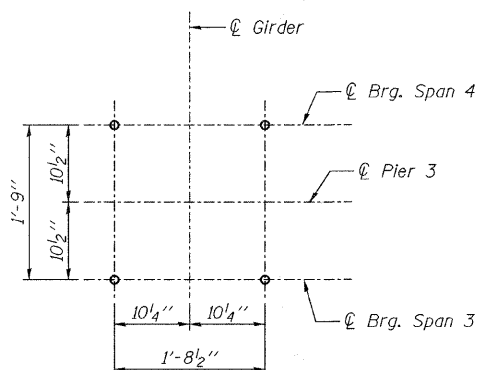
BAR u1(E)



BAR u2(E)



BAR d7(E)



ANCHOR BOLT LAYOUT
(typ. each pedestal)

MINIMUM BAR LAP

#5 bar = 2'-6"
#6 bar = 3'-0"

DESIGNED -	JLS/MRB
CHECKED -	MRB/KWS
DRAWN -	VH/MB
CHECKED -	MRB/KWS

benesch
alfred benesch & company
Engineers - Surveyors - Planners
205 North Michigan Avenue, Suite 2400
Chicago, Illinois 60601
312-565-0450 Job No. 3808.02

SHEET NO. S32	F.A.U. RTE.	SECTION	COUNTY	TOTAL SHEETS	SHEET NO.
	341	04-00090-07-BR	WILL	57	40
S47 SHEETS	CONTRACT NO. 63442				
FED. ROAD DIST. NO.		ILLINOIS FED. AID PROJECT			

**PIER 3 REPAIR 2 OF 2
STRUCTURE NO. 099-3298**

x:\3800s\3808.02\engineering\documents\phase.11\brandon_r.road_bridge\final\0993298-63442-032-pier-3.dgn 1/22/2010 10:04:21 AM