

FAU RTE	SECTION	COUNTY	TOTAL SHEETS	SHEET NO.
2798	03-00193-00-FP	COOK	51	18
F.H.W.A. REG.		ILLINOIS	PROJECT M-9003(488)	

CONTRACT NO. 63455

THERMOPLASTIC STRIPING CODE

- (A) PROPOSED DOUBLE SOLID YELLOW THERMOPLASTIC PAVEMENT MARKING - CENTER LINE 4", 11" O/C
- (B) PROPOSED SOLID WHITE THERMOPLASTIC PAVEMENT MARKING - LINE 4" - (PARKING LINE)
- (C) PROPOSED SKIP-DASH YELLOW THERMOPLASTIC PAVEMENT MARKING - LINE 4" - 10' DASH, 30' SKIP (LANE LINE)
- (D) PROPOSED SOLID WHITE THERMOPLASTIC PAVEMENT MARKING - LINE 6" (LANE LINE)
- (E) PROPOSED SOLID WHITE THERMOPLASTIC PAVEMENT MARKING - LINE 6" (CROSSWALK LINE)
- (F) PROPOSED SOLID WHITE THERMOPLASTIC PAVEMENT MARKING - LINE 6" - 2' DASH, 6' SKIP (LANE LINE)
- (G) PROPOSED SOLID WHITE THERMOPLASTIC PAVEMENT MARKING - LINE 12" (PEDESTRIAN SCHOOL CROSSING)
- (H) PROPOSED SOLID WHITE THERMOPLASTIC PAVEMENT MARKING - LINE 24" (STOP BAR)
- (I) PROPOSED SOLID WHITE THERMOPLASTIC PAVEMENT MARKING - LETTERS & SYMBOLS

DETECTOR LOOPS

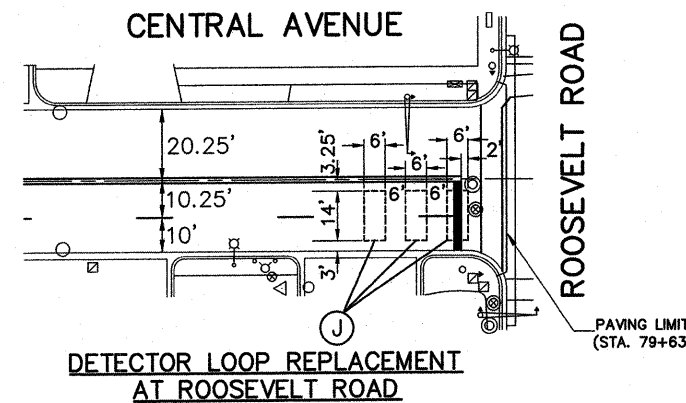
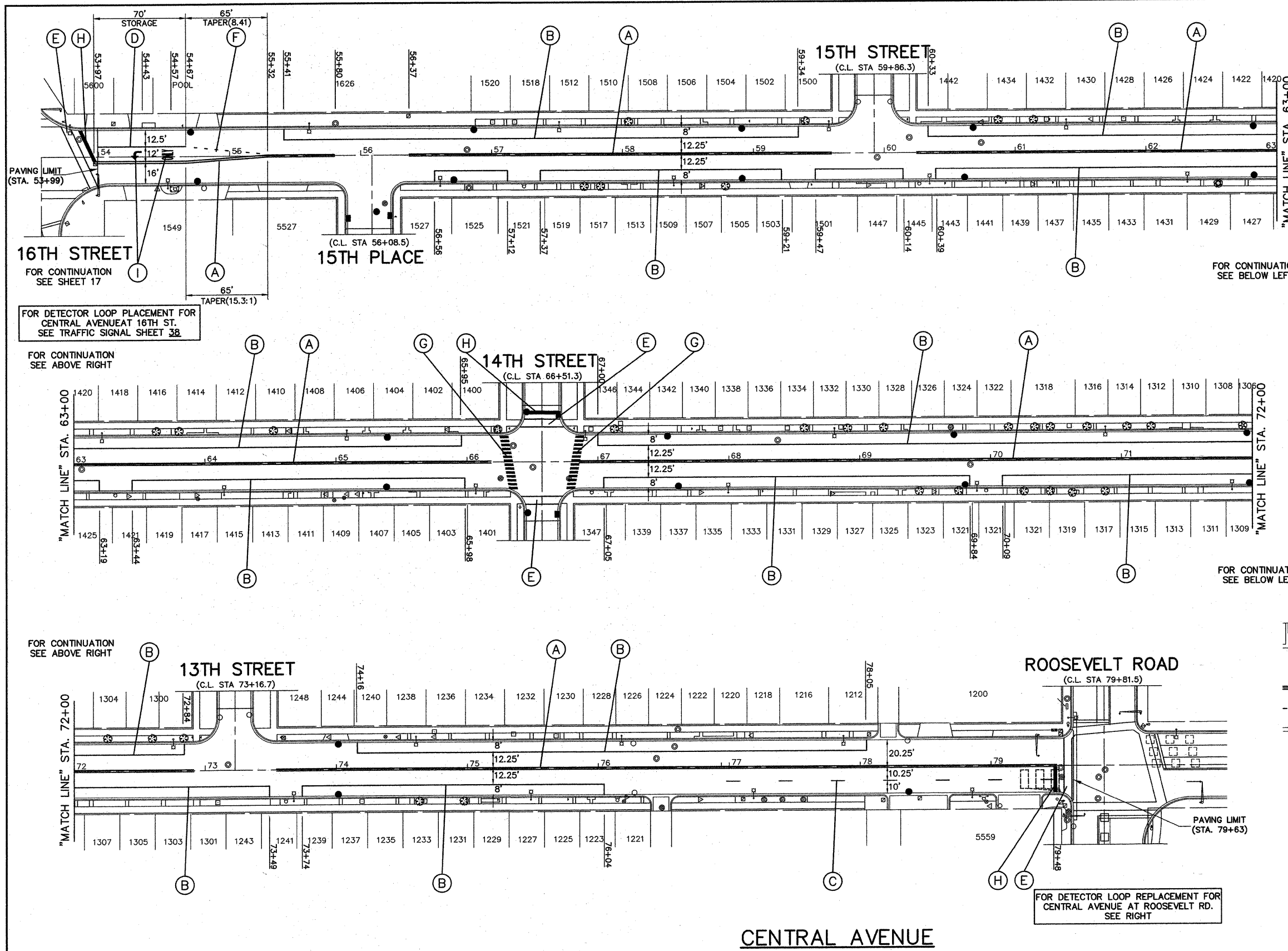
- (J) PROPOSED DETECTOR LOOP REPLACEMENT

NOTE: ALL "ARROW" AND "ONLY" MARKINGS SHALL BE 8" IN HEIGHT.

NOTE: PROPOSED DOUBLE SOLID YELLOW THERMOPLASTIC PAVEMENT MARKING - CENTER LINE 4", 11" O/C (NOTE: (A)) IS MEASURED PER LINE. TOTAL QUANTITY AND PAYMENT LENGTH IS FOR EACH LINEAR FOOT OF SINGLE 4" STRIPE INSTALLED.

NOTE: SHORT-TERM PAVEMENT MARKING IS PROPOSED ON THE MILLED PAVEMENT, NEW BINDER AND ON THE NEW SURFACE. SEE ARTICLE 703.04 OF THE LATEST EDITION OF THE "STANDARD SPECIFICATIONS FOR ROAD AND BRIDGE CONSTRUCTION".

NOTE: PROPOSED STRIPING IS BEING REPLACED IN THE SAME LOCATION AS EXISTING STRIPING.



IMPORTANT!
 FULL SIZE PLANS HAVE BEEN PREPARED USING STANDARD ENGINEERING SCALES. REDUCED SIZED PLANS WILL NOT CONFORM TO STANDARD SCALES INDICATED IN TITLE BLOCK.

Frank Novotny & Associates, Inc.
 Civil Engineers
 825 Midway Drive ♦ Willowbrook, IL ♦ 60527 ♦ Telephone: (630) 887-8640 ♦ Fax: (630) 887-0132
 Illinois Professional Design Firm No. 184-000928

PROJECT
TOWN OF CICERO, ILLINOIS
CENTRAL AVENUE RESURFACING
SECTION 03-00193-00-FP

REVISIONS			
NO.	BY	DATE	DESCRIPTION
1	AMS	1/22/10	PER IDOT REVIEW
2	AMS	3/03/10	PER IDOT REVIEW

PLAN:
CENTRAL AVENUE-
16th ST. TO ROOSEVELT RD.
(PAVEMENT MARKING)

PROJECT NO. 05043	SCALE 1"=40'
DRAWN/DESIGNED JFP-JEP/THK	DATE DEC., 2009
CHECKED/APPROVED JLC/THK	FIELD BOOK NO. FILE

SHEET
18
 OF
51
 SHEETS