

TYPICAL SECTIONS

STA 282+54.0 TO STA 288+83.5 LT
 STA 283+82.9 TO STA 288+83.5 RT

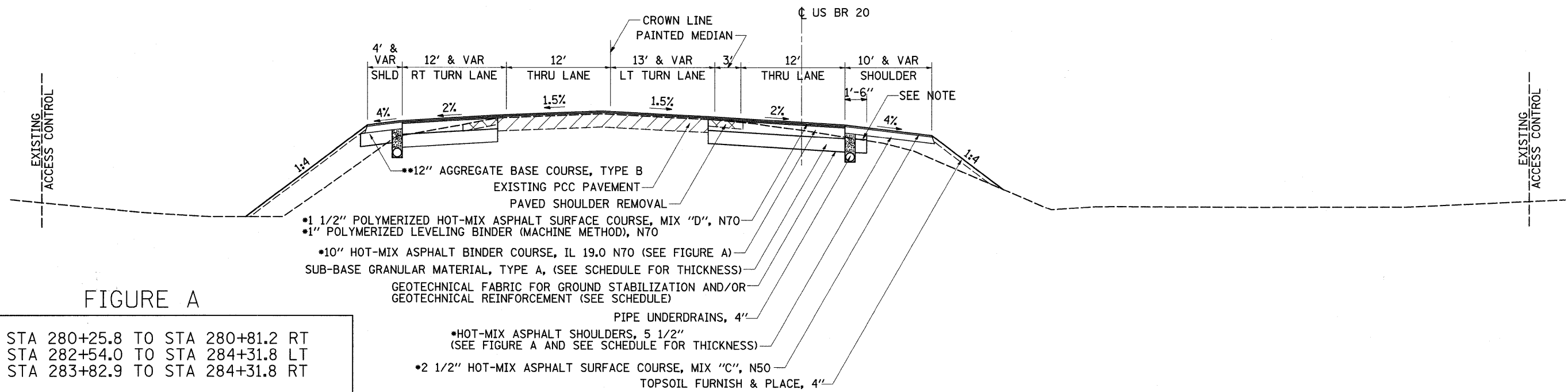
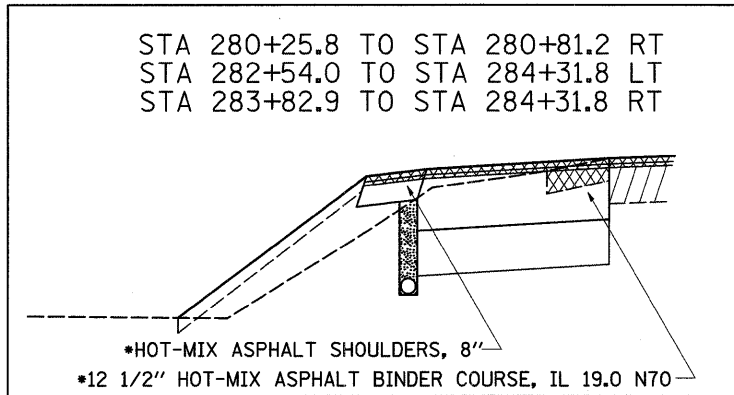
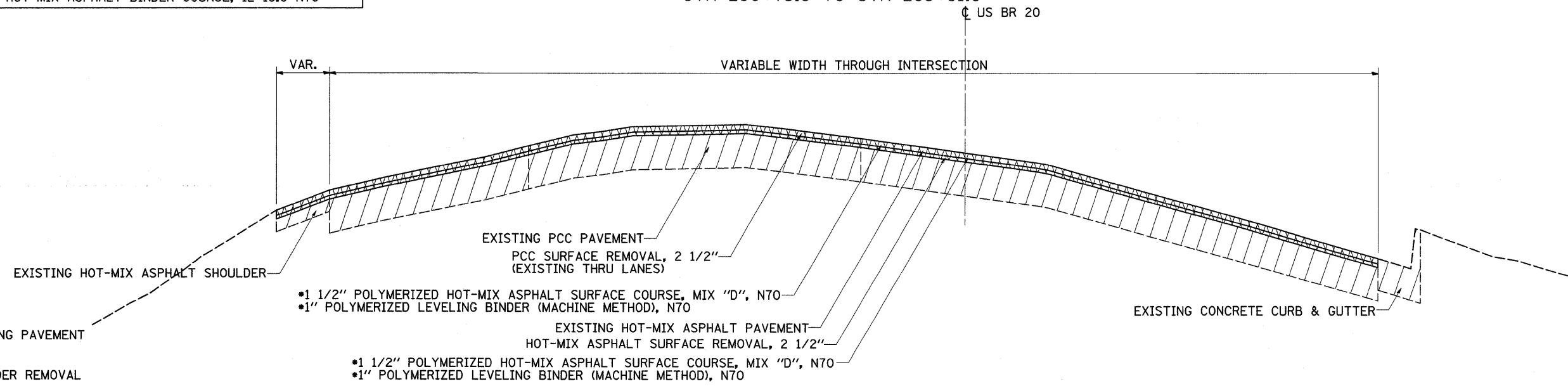


FIGURE A



AT MCKINLEY AVENUE INTERSECTION
 STA 280+75.8 TO STA 283+81.8



EXISTING PAVEMENT
 SHOULDER REMOVAL

* RATE OF APPLICATION 112 LB/SQ YD/IN
 ** NO SHOULDER BASE COURSE (STA 282+48.2 TO STA 286+25 LT)

NOTE: VOID TO BE FILLED WITH CA6 OR CA10 INCLUDED IN THE COST OF SUB-BASE

FILE NAME =	USER NAME = dosddd	DESIGNED -	REVISED -	STATE OF ILLINOIS DEPARTMENT OF TRANSPORTATION	US BR 20 TYPICAL SECTIONS				F.A.P. RTE.	SECTION	COUNTY	TOTAL SHEETS	SHEET NO.
ct\pw_work\FWIDOT\DOSSDD\dms52890\0205	04-sht-typical.dgn	DRAWN -	REVISED -		517	(1-2)M & TS	BOONE	74	9				
	PLOT SCALE = 50.0000' / IN.	CHECKED -	REVISED -						CONTRACT NO. 64A09				
	PLOT DATE = Wed Dec 30 11:58:00 2009	DATE -	REVISED -		SCALE:	SHEET NO.	OF	SHEETS	STA.	TO STA.	ILLINOIS FED. AID PROJECT		