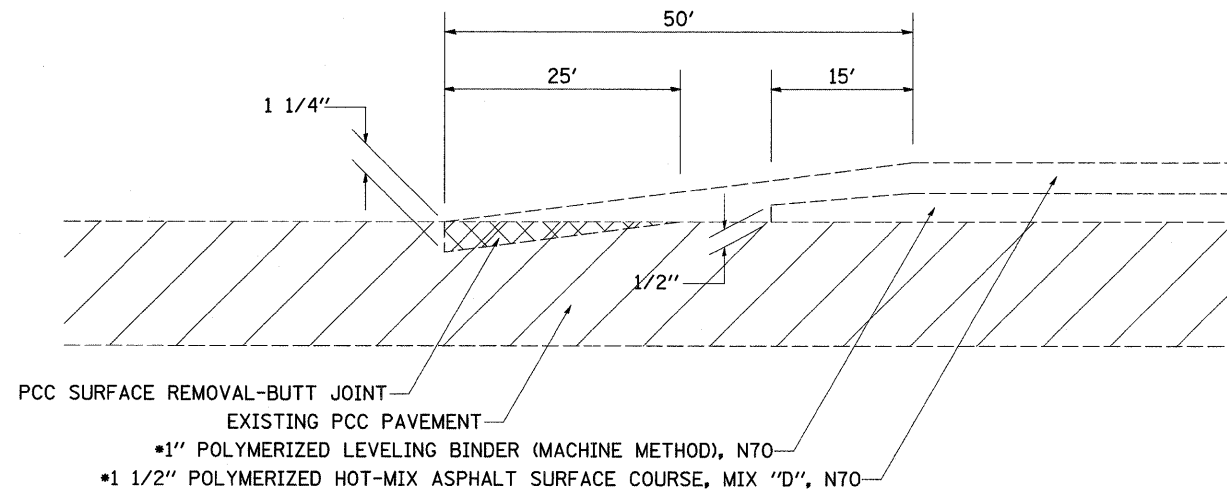


# TYPICAL SECTIONS

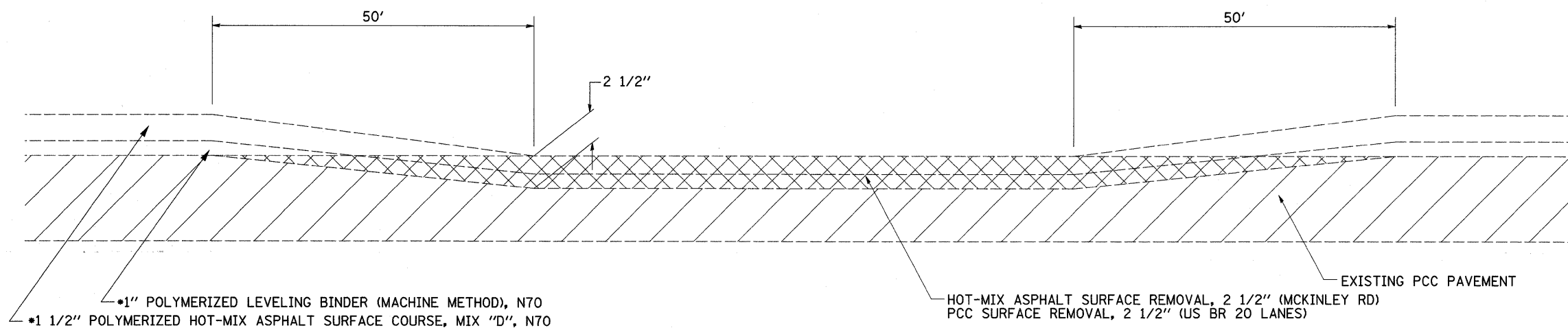
## TYPICAL BUTT JOINT TAPER

STA 265+21.5 TO STA 265+71.5  
STA 301+79.6 TO STA 302+29.6



## TYPICAL MILLING TAPER

STA 280+25.8 TO STA 284+31.8



EXISTING PAVEMENT

SHOULDER REMOVAL

\* RATE OF APPLICATION 112 LB/SQ YD/IN

NOTE: SURFACE REMOVAL - VARIABLE DEPTH  
INCLUDED IN HOT-MIX ASPHALT REMOVAL 2 1/2"

FILE NAME =	USER NAME = dosadd	DESIGNED -	REVISED -	<b>STATE OF ILLINOIS DEPARTMENT OF TRANSPORTATION</b>	<b>US BR 20 TYPICAL SECTIONS</b>				F.A.P. RTE.	SECTION	COUNTY	TOTAL SHEETS	SHEET NO.		
c:\pw_work\PWIDOT\DOSSDD\dms50090\0205	04-sh-typico1.dgn	DRAWN -	REVISED -		SCALE:	SHEET NO.	OF	SHEETS	STA.	TO STA.	517	(1-2)M & TS	BOONE	74	11
	PLOT SCALE = 50.0000' / IN.	CHECKED -	REVISED -		CONTRACT NO. 64A09										
	PLOT DATE = Wed Dec 30 11:58:01 2009	DATE -	REVISED -		ILLINOIS FED. AID PROJECT										