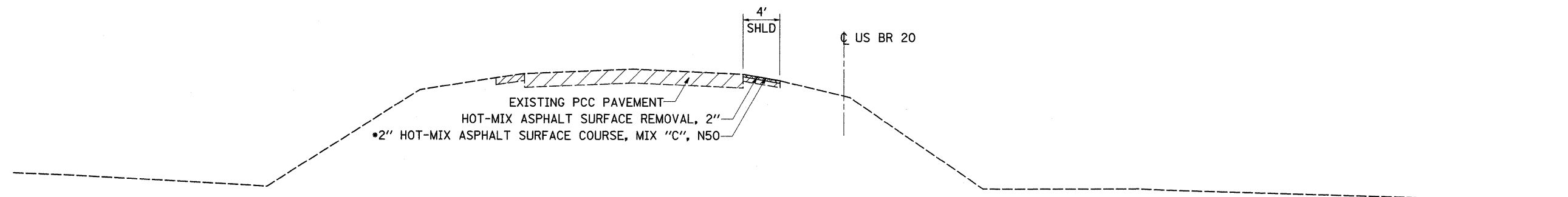


STAGING TYPICAL SECTIONS

STAGE 1

STA 271+00.0 TO STA 280+81.2 RT
 STA 284+06.9 TO STA 296+21.7 RT

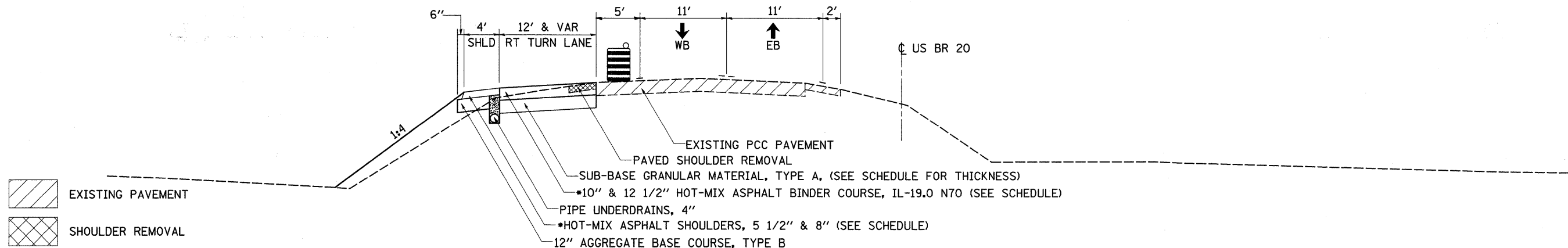
1. SETUP & USE TRAFFIC CONTROL & PROTECTION STANDARD 701501 & 701606
2. MILL 2" OF EXISTING HOT-MIX ASPHALT SHOULDERS ON THE RIGHT
3. PLACE 2" OF HOT-MIX ASPHALT SURFACE COURSE, MIX "C", N50



STAGE 2

STA 265+21.5 TO STA 280+06.8 LT
 STA 282+48.2 TO STA 299+00.0 LT

1. SETUP & USE TRAFFIC CONTROL & PROTECTION STANDARD 701331 & 701606 & AS SHOWN IN THE STAGING PLANS
2. REMOVE THE EXISTING HOT-MIX ASPHALT SHOULDERS AND PIPE UNDERDRAIN SYSTEM ON THE NE QUADRANT & NW QUADRANT
3. PLACE THE SUB-BASE GRANULAR MATERIAL, TYPE A (SEE SCHEDULE FOR THICKNESS)
4. CONSTRUCT THE 10" & 12 1/2" HOT-MIX ASPHALT BINDER COURSE, IL-19.0, N70 FOR THE WIDENING (SEE SCHEDULE)
5. PLACE THE 12" AGGREGATE BASE COURSE, TYPE B
6. PLACE THE PIPE UNDERDRAIN, 4"
7. CONSTRUCT THE HOT-MIX ASPHALT SHOULDERS, 5 1/2" & 8" (SEE SCHEDULE)
8. DRESS UP THE SLOPES & DITCHES



- EXISTING PAVEMENT
- SHOULDER REMOVAL

* RATE OF APPLICATION 112 LB/SQ YD/IN

FILE NAME =	USER NAME = dossed	DESIGNED -	REVISED -	STATE OF ILLINOIS DEPARTMENT OF TRANSPORTATION	US BR 20 STAGING TYPICAL SECTIONS				F.A.P. RTE.	SECTION	COUNTY	TOTAL SHEETS	SHEET NO.
cd:\pwork\PWIDOT\DOSSDD\dms50090\0205704-sht-staging.dgn		DRAWN -	REVISED -		517	(1-2)M & TS	BOONE	74	32				
PLOT SCALE = 50.0000' / IN.		CHECKED -	REVISED -		SCALE: SHEET NO. OF SHEETS STA. TO STA.				CONTRACT NO. 64A09				
PLOT DATE = Wed Dec 30 11:50:37 2009		DATE -	REVISED -		ILLINOIS FED. AID PROJECT								