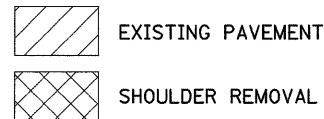
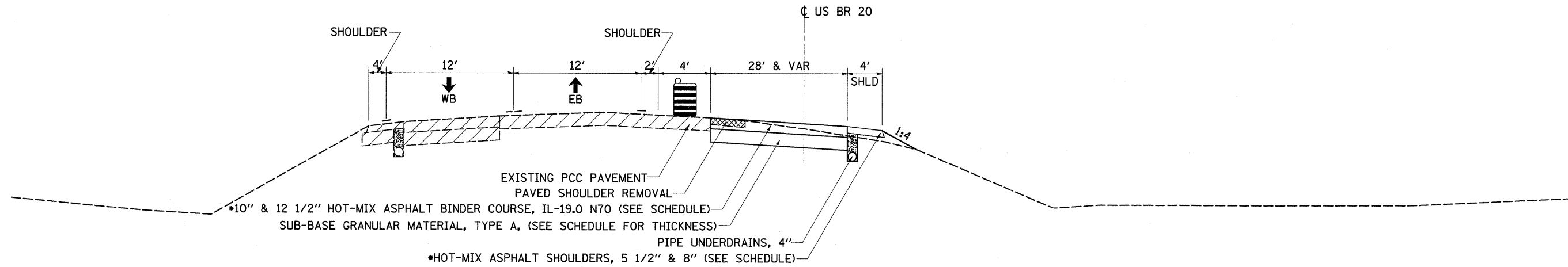


STAGING TYPICAL SECTIONS

STAGE 3
 STA 265+21.5 TO STA 280+81.3 RT
 STA 283+82.9 TO STA 296+21.1 RT

1. SETUP & USE TRAFFIC CONTROL & PROTECTION STANDARD 701331 & 701606 & AS SHOWN IN THE STAGING PLANS
2. REMOVE THE EXISTING HOT-MIX ASPHALT SHOULDERS AND PIPE UNDERDRAIN SYSTEM
3. PLACE THE SUB-BASE GRANULAR MATERIAL, TYPE A (SEE SCHEDULE FOR THICKNESS)
4. CONSTRUCT THE 10" & 12 1/2" HOT-MIX ASPHALT BINDER COURSE, IL-19.0, N70 FOR THE WIDENING (SEE SCHEDULE)
5. PLACE THE PIPE UNDERDRAIN, 4"
6. CONSTRUCT THE HOT-MIX ASPHALT SHOULDERS, 5 1/2" & 8" (SEE SCHEDULE)
7. DRESS UP THE SLOPES & DITCHES



* RATE OF APPLICATION 112 LB/SQ YD/IN

FILE NAME =	USER NAME = dosadd	DESIGNED -	REVISED -	STATE OF ILLINOIS DEPARTMENT OF TRANSPORTATION	US BR 20 STAGING TYPICAL SECTIONS			F.A.P. RTE.	SECTION	COUNTY	TOTAL SHEETS	SHEET NO.
ct:\pw_work\PWIDOT\DOSSDD\dms50898\0205704-sht-staging.dgn	PLOT SCALE = 50.0000' / IN.	DRAWN -	REVISED -		517	(1-2)M & TS	BOONE	74	33			
PLOT DATE = Wed Dec 30 11:50:38 2009	DATE -	CHECKED -	REVISED -		CONTRACT NO. 64A09							
					SCALE:	SHEET NO. OF SHEETS	STA. TO STA.	ILLINOIS FED. AID PROJECT				