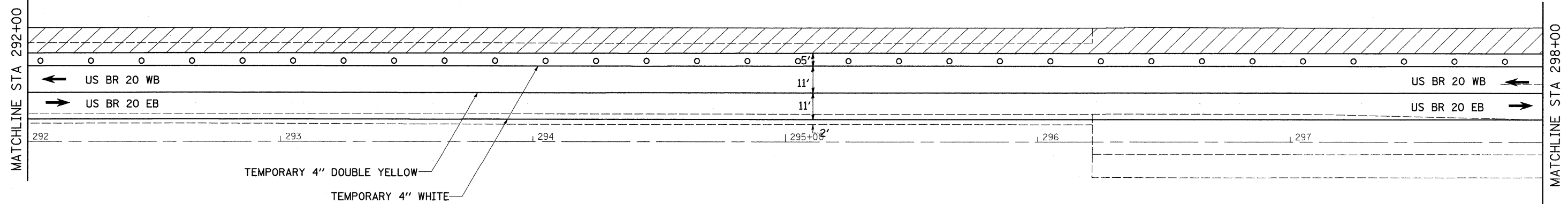
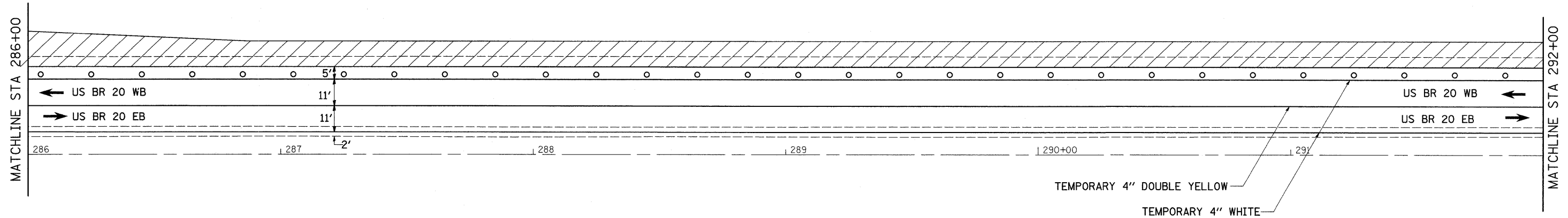
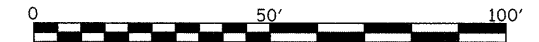


# STAGE 2



**SYMBOLS**

WORK AREA



FILE NAME =	USER NAME = dossdd	DESIGNED -	REVISED -	<b>STATE OF ILLINOIS DEPARTMENT OF TRANSPORTATION</b>	<b>US BR 20 STAGING PLANS</b>			F.A.P RTE.	SECTION	COUNTY	TOTAL SHEETS	SHEET NO.
ct:\pwork\PWIDOT\DOSSDD\dms50898\0205	04-sht-staging.dgn	DRAWN -	REVISED -		517	(1-2)M & TS	BOONE	74	37			
	PLOT SCALE = 20.0000' / IN.	CHECKED -	REVISED -		SCALE: SHEET NO. OF SHEETS STA. TO STA.			CONTRACT NO. 64A09				
	PLOT DATE = Wed Dec 30 11:58:39 2009	DATE -	REVISED -		ILLINOIS FED. AID PROJECT							