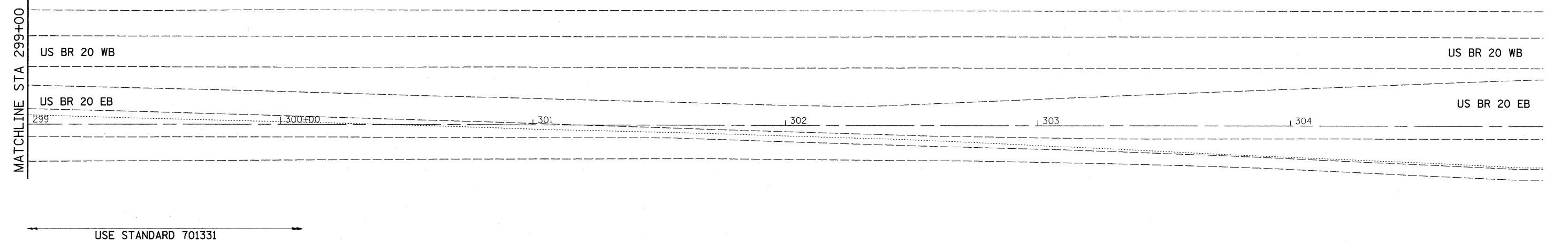
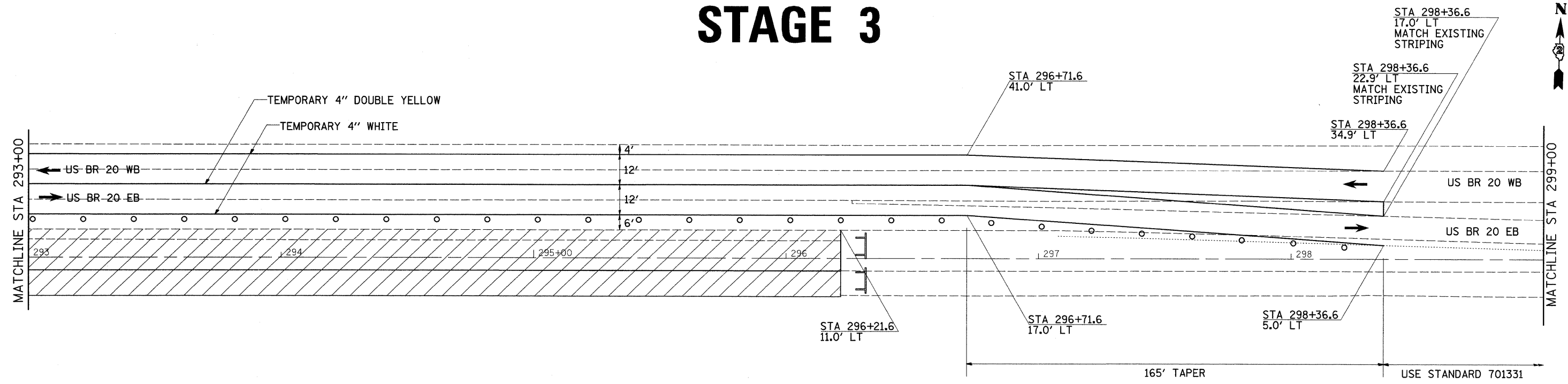
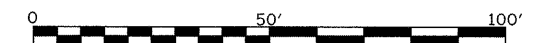


STAGE 3



SYMBOLS

WORK AREA



FILE NAME =	USER NAME = dosadd	DESIGNED -	REVISED -
c:\pwork\pwork\DOT\DOSSDD\dms50098\0205	04-sht-staging.dgn	DRAWN -	REVISED -
	PLOT SCALE = 20.0000' / IN.	CHECKED -	REVISED -
	PLOT DATE = Wed Dec 30 11:58:43 2009	DATE -	REVISED -

**STATE OF ILLINOIS
DEPARTMENT OF TRANSPORTATION**

**US BR 20
STAGING PLANS**

SCALE: SHEET NO. OF SHEETS STA. TO STA.

F.A.P. RTE.	SECTION	COUNTY	TOTAL SHEETS	SHEET NO.
517	(1-2)M & TS	BOONE	74	42
CONTRACT NO. 64A09				
ILLINOIS FED. AID PROJECT				