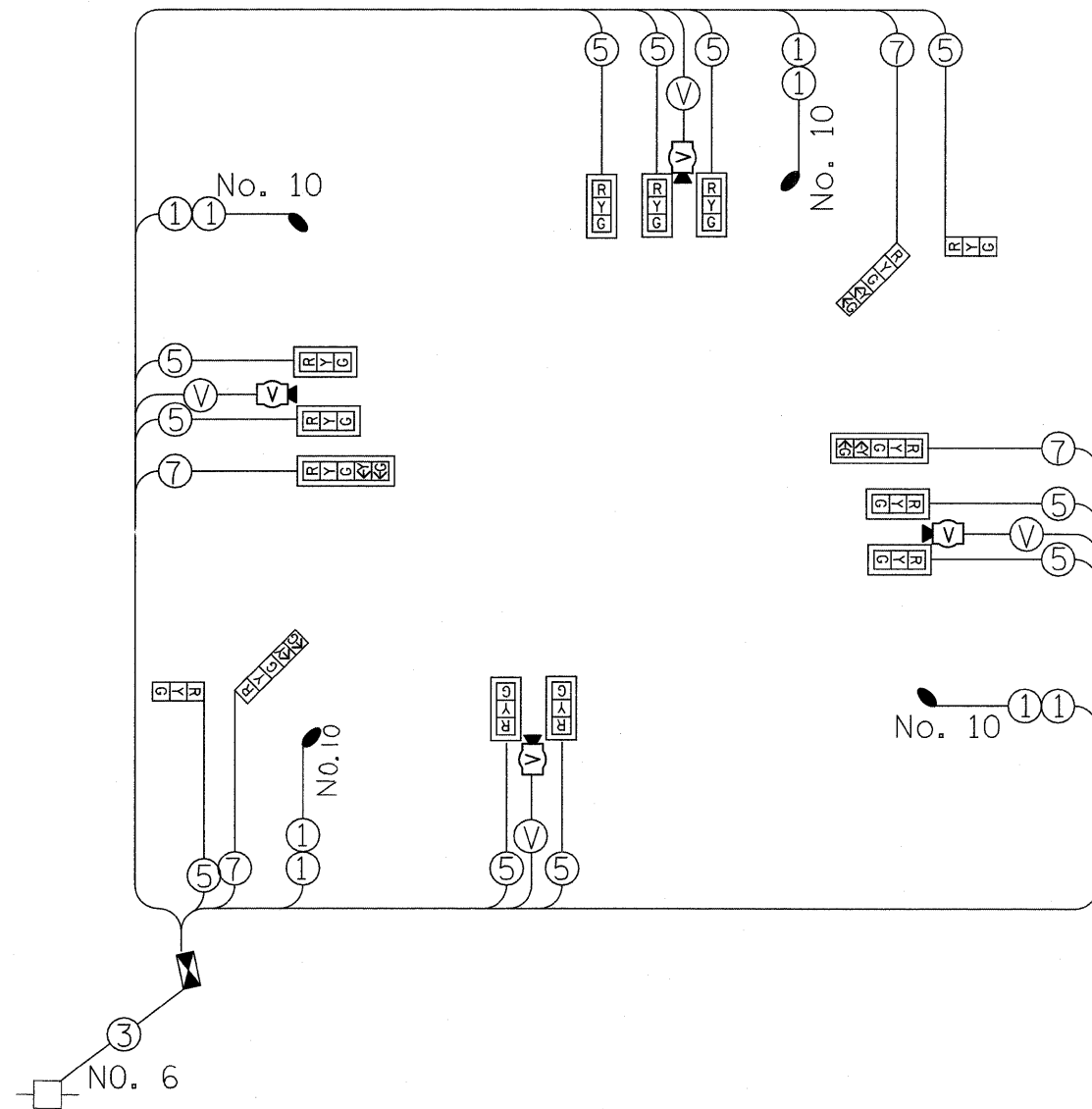
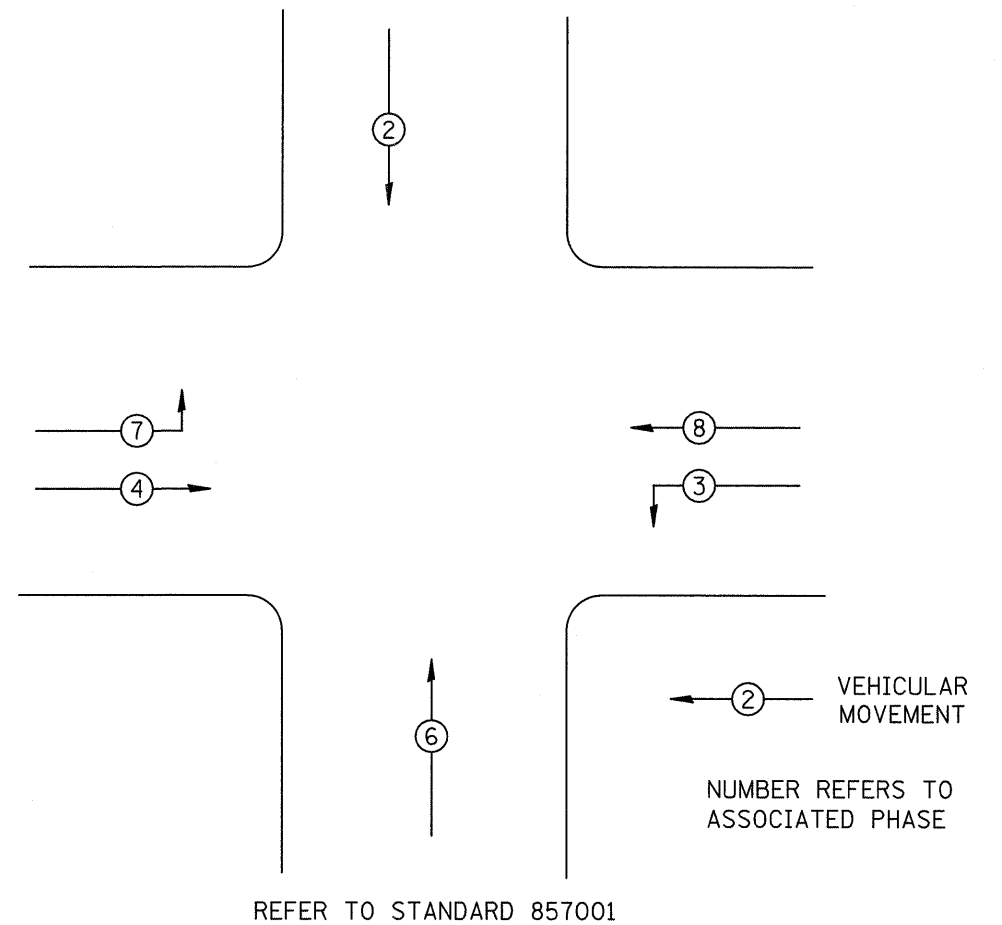
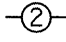
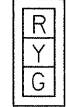




TRAFFIC SIGNAL PLANS



PHASE DESIGNATION DIAGRAM



- LEGEND**
-  INDICATES NUMBER OF NEW CONDUCTORS. ALL CABLE IS NO. 14 EXCEPT AS INDICATED.
 -  NEW SIGNAL HEAD WITH OR WITHOUT BACKPLATE
 -  VIDEO CAMERA DETECTION
 -  LUMINAIRE, 250 WATT

DETECTOR ASSIGNMENT		
DETECTOR	PHASE NO.	DIRECTION
A	8	WB FAR ADVANCE
B	8	WB MID ADVANCE
C	8	WB PRESENT
D	3	WB LEFT
E	4	EB FAR ADVANCE
F	4	EB MID ADVANCE
G	4	EB PRESENT
H	7	EB LEFT
I	2	SB ADVANCE
J	2	SB PRESENT
K	6	NB ADVANCE
L	6	NB PRESENT