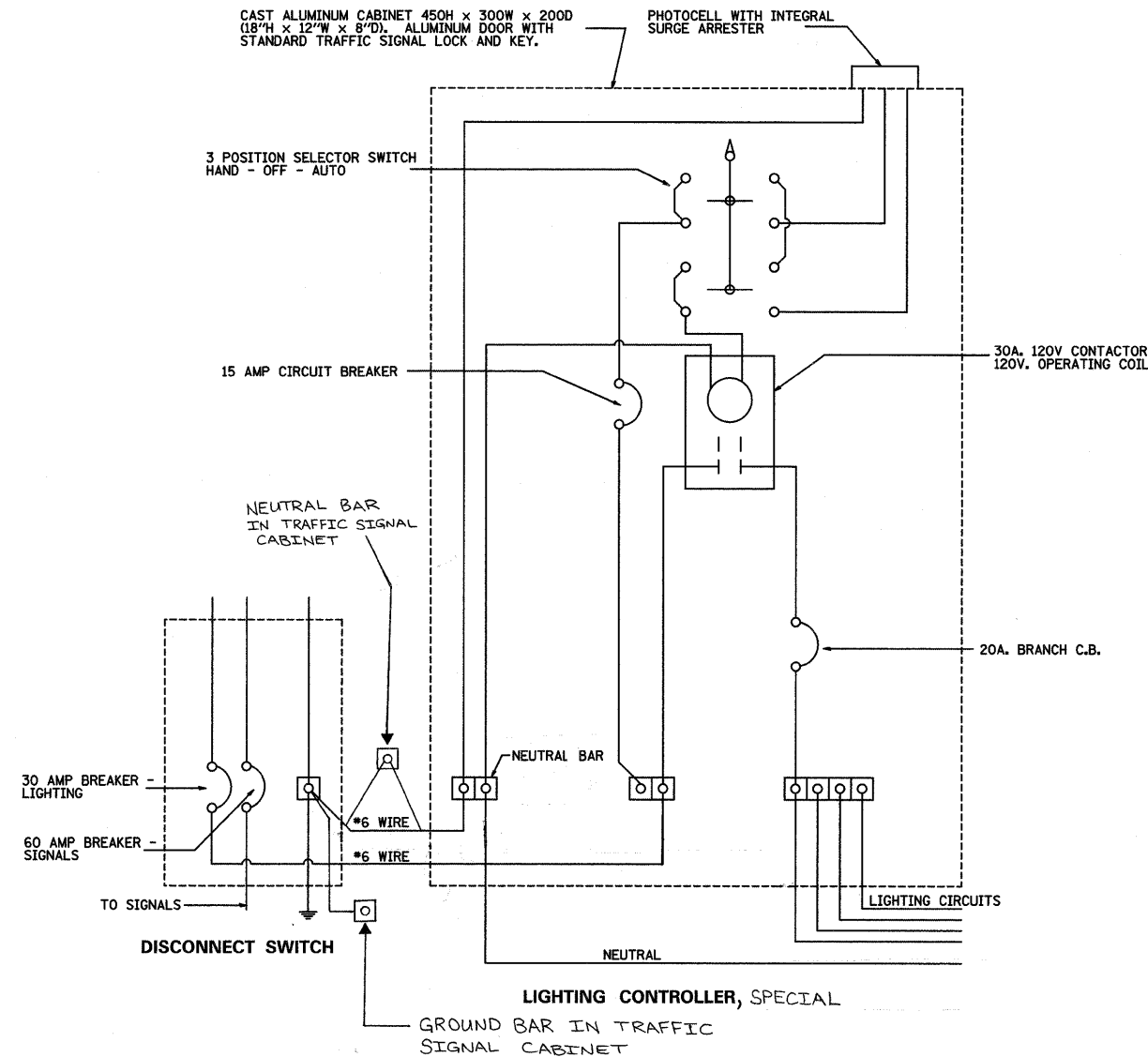
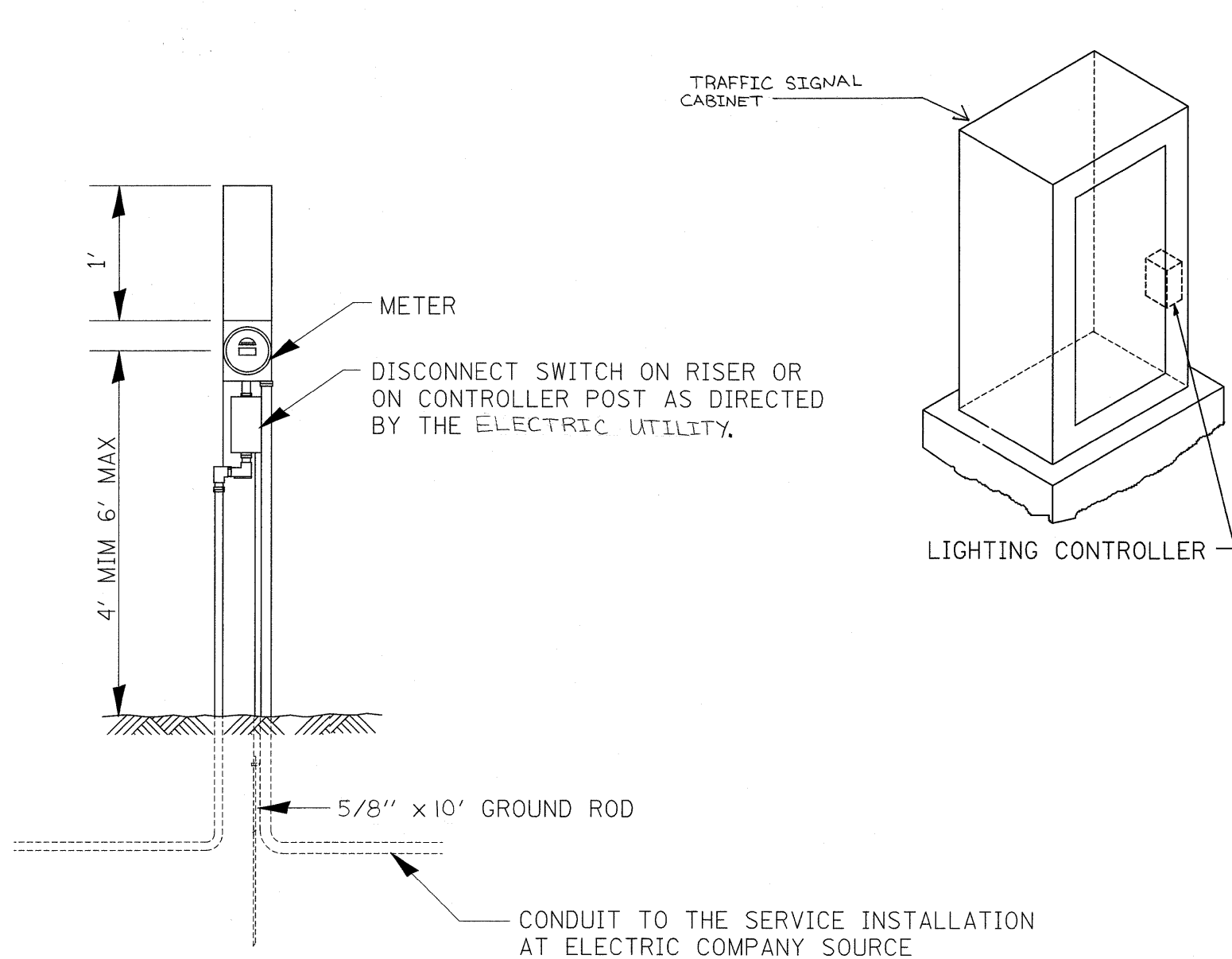


# TRAFFIC SIGNAL PLANS



SERVICE INSTALLATION (SPECIAL)  
 (SEE SPECIAL PROVISIONS)  
 (DETAIL ONLY SHOW GENERAL SERVICE  
 WHICH VARIES BY PROVIDERS)

FILE NAME =	USER NAME = dossed	DESIGNED -	REVISED -
ct:\pw_work\PWIDOT\DOSSDD\dms58898\D205	24-shr-ta.dgn	DRAWN -	REVISED -
	PLOT SCALE = 20.0000 / IN.	CHECKED -	REVISED -
	PLOT DATE = Wed Dec 30 11:22:34 2009	DATE -	REVISED -

**STATE OF ILLINOIS**  
**DEPARTMENT OF TRANSPORTATION**

**US BR 20**  
**TRAFFIC SIGNAL PLANS**

F.A.P. RTE.	SECTION	COUNTY	TOTAL SHEETS	SHEET NO.
517	(1-2)M & TS	BOONE	74	47
CONTRACT NO. 64A09				
ILLINOIS FED. AID PROJECT				

SCALE: SHEET NO. OF SHEETS STA. TO STA.