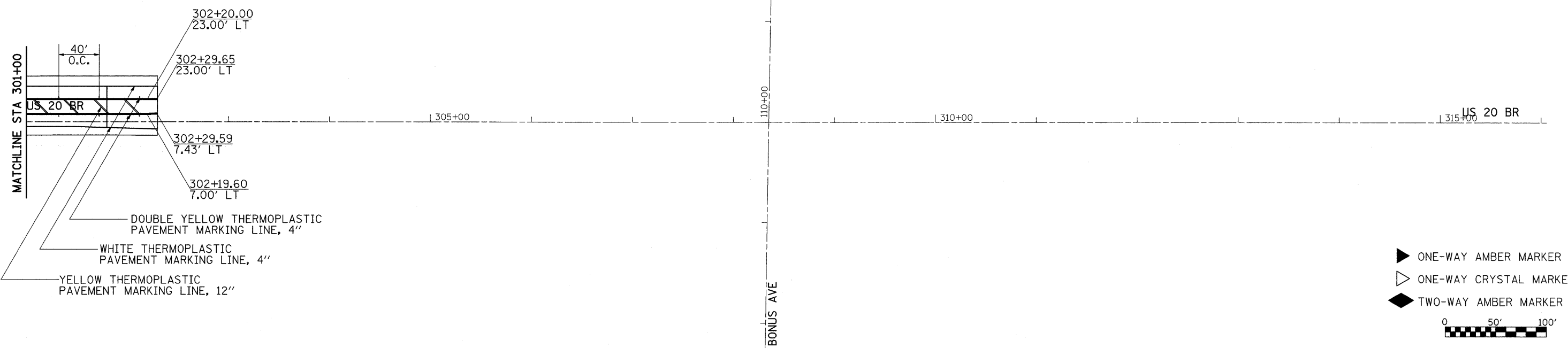
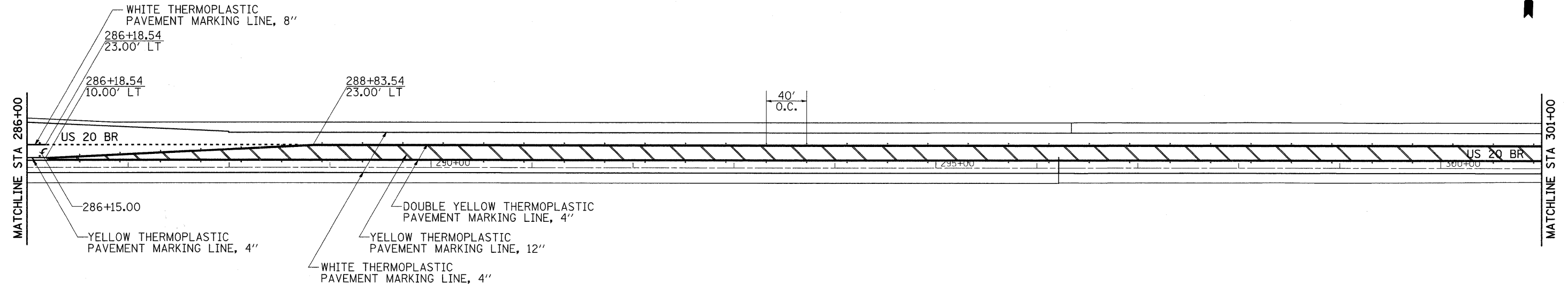
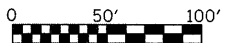


PAVEMENT MARKING DETAILS



- ▶ ONE-WAY AMBER MARKER
- ▷ ONE-WAY CRYSTAL MARKER
- ◆ TWO-WAY AMBER MARKER



| | | | |
|--|--------------------|--------------------------------------|-----------|
| FILE NAME = | USER NAME = dossed | DESIGNED - | REVISED - |
| c:\pawork\pawordot\dossed\dms50890\0205704-shr-pmk.dgn | | DRAWN - | REVISED - |
| | | CHECKED - 50.0000 / INL | REVISED - |
| | | PLOT DATE = Wed Dec 30 11:38:32 2009 | REVISED - |

**STATE OF ILLINOIS
DEPARTMENT OF TRANSPORTATION**

**US BR 20
PAVEMENT MARKING DETAILS**

SCALE: SHEET NO. OF SHEETS STA. TO STA.

| F.A.P. RTE. | SECTION | COUNTY | TOTAL SHEETS | SHEET NO. |
|--------------------|-------------|--------|---------------------------|-----------|
| 517 | (1-2)M & TS | BOONE | 74 | 52 |
| CONTRACT NO. 64A09 | | | ILLINOIS FED. AID PROJECT | |