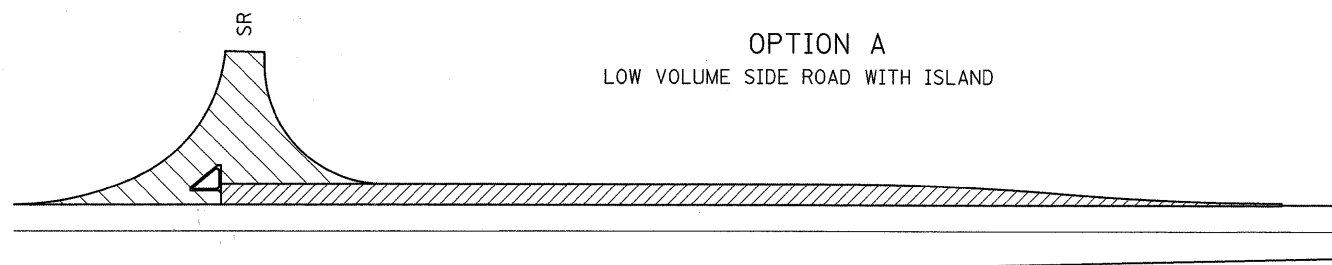
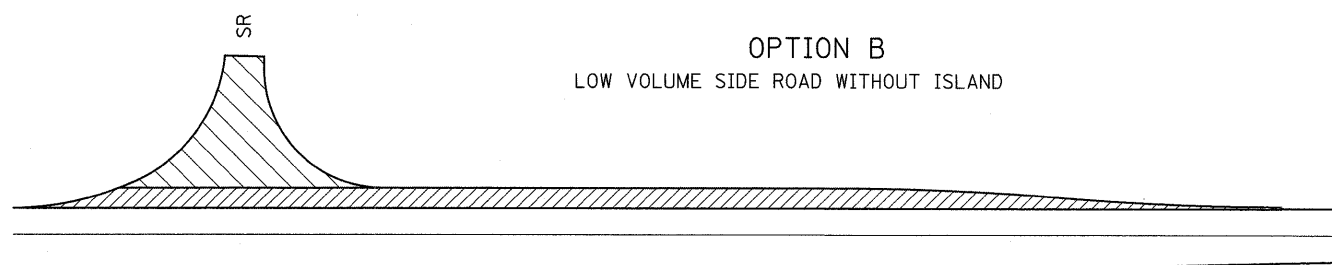


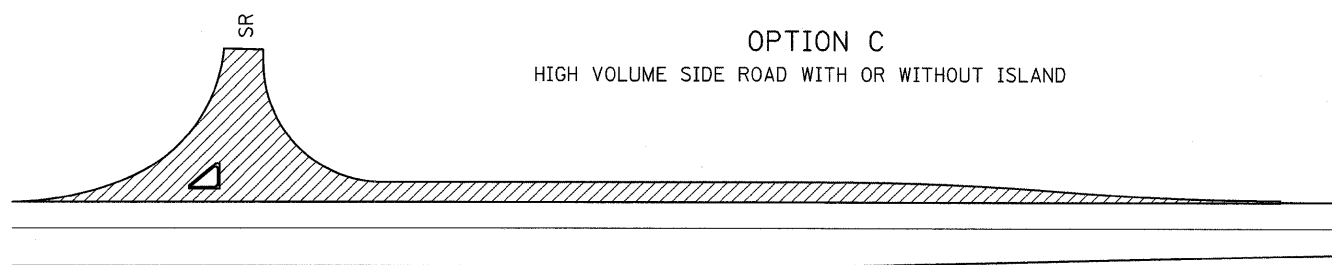
RIGHT TURN LANE CONSTRUCTION



OPTION A
LOW VOLUME SIDE ROAD WITH ISLAND



OPTION B
LOW VOLUME SIDE ROAD WITHOUT ISLAND



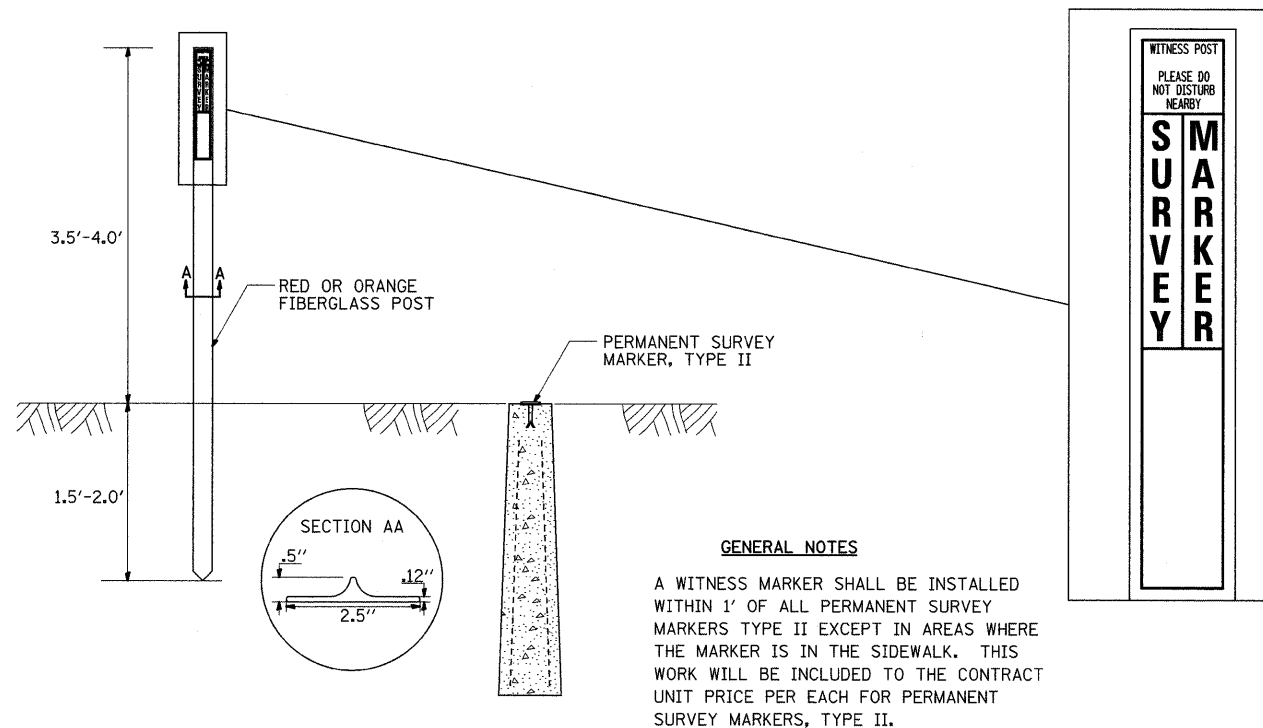
OPTION C
HIGH VOLUME SIDE ROAD WITH OR WITHOUT ISLAND

LEGEND

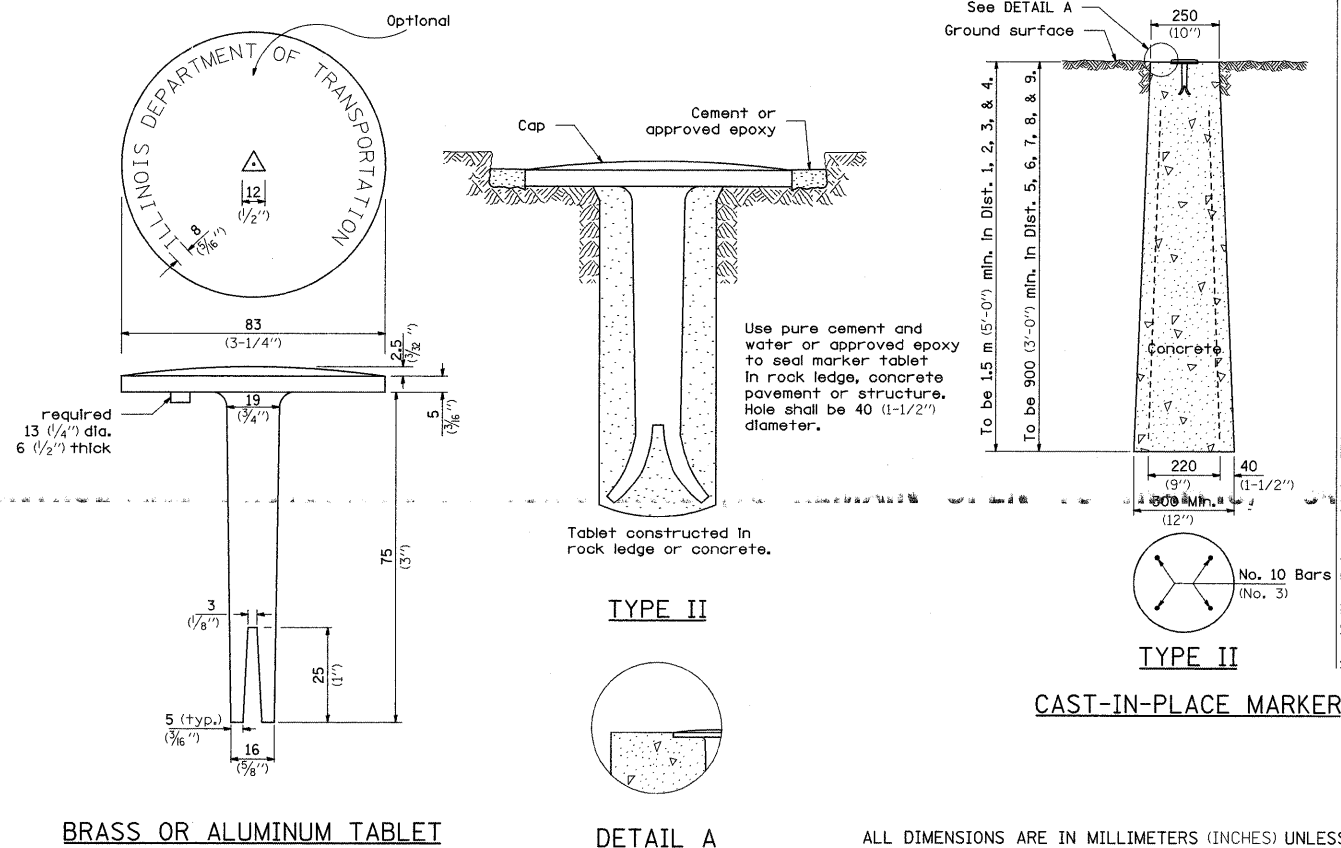
- HOT-MIX ASPHALT PAVEMENT (FULL DEPTH)
- AGGREGATE BASE WITH HOT-MIX ASPHALT SURFACE

REVISED - 10-10-06

WITNESS MARKER FOR PERMANENT SURVEY MARKERS, TYPE II



PERMANENT SURVEY MARKERS, TYPE II



REVISED - 10-21-08
REVISED -
REVISED -
REVISED -

REGION 2 / DISTRICT 2 STANDARD

SCALE: 50.0000 "/ IN SHEET NO. OF SHEETS STA. TO STA.

F.A.P. RTE.	SECTION	COUNTY	TOTAL SHEETS	SHEET NO.
517	(1-2M & TS)	BOONE	74	56
FED. ROAD DIST. NO. ILLINOIS FED. AID PROJECT			CONTRACT NO. 64A09	