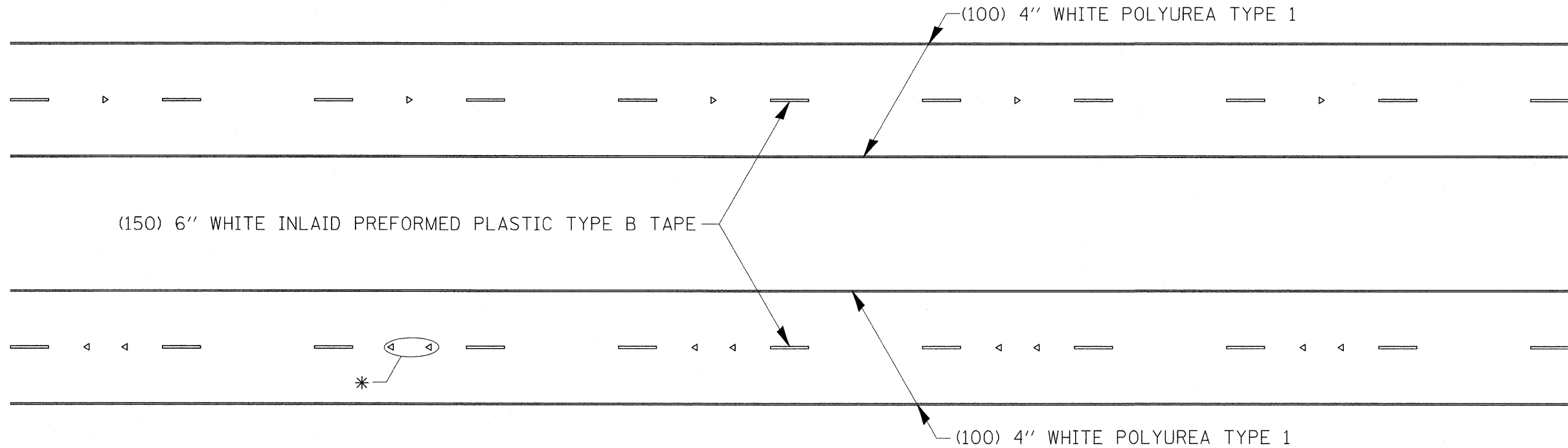
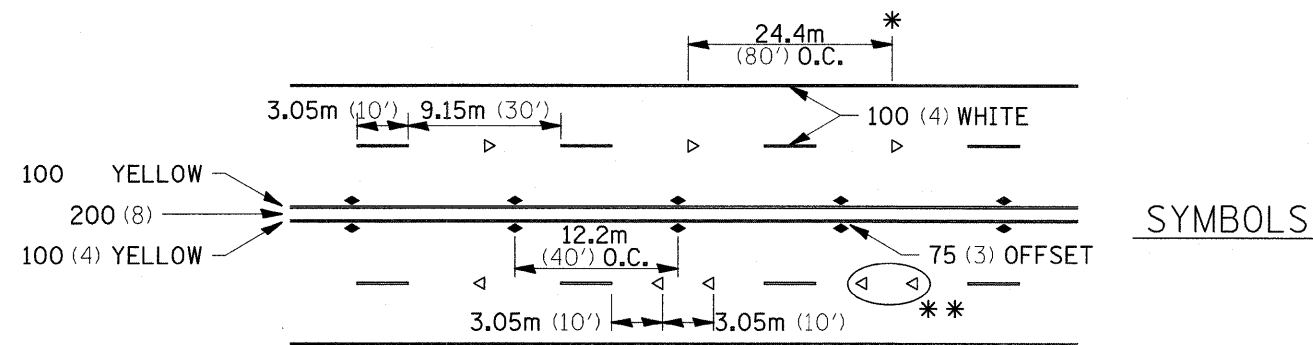


# TYPICAL PAVEMENT MARKINGS



\* SEE HIGHWAY STANDARD 781001 FOR SPACING DETAILS.  
USE DOUBLE MARKERS WHEN ADT  $\geq$  25,000.

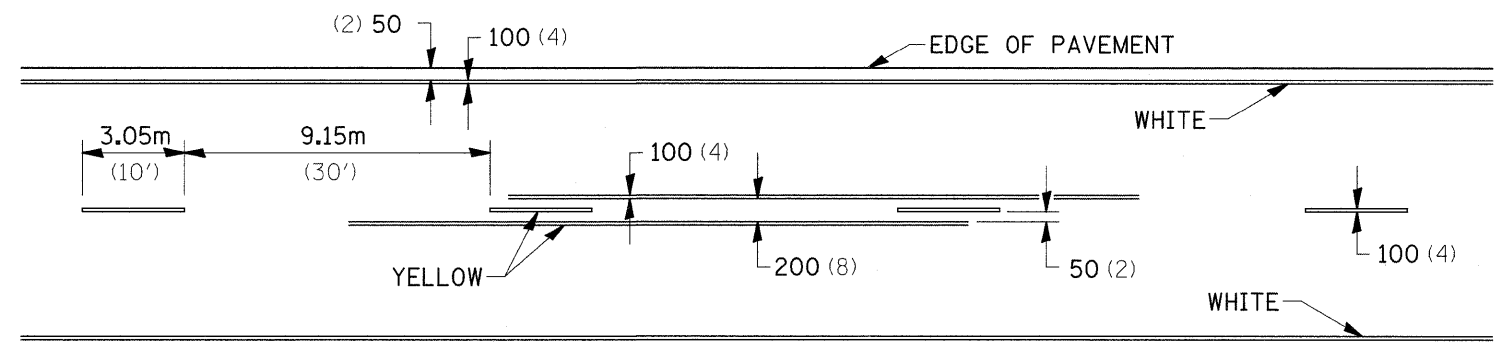
## MULTI-LANE / DIVIDED



\* REDUCE TO 12.2m (40') O.C. ON CURVES WHERE ADVISORY SPEEDS ARE 15K/H (10MPH) LOWER THAN POSTED SPEEDS.  
\*\* USE DOUBLE MARKERS WHEN ADT  $\geq$  25,000

## MULTI-LANE / UNDIVIDED

## TYPICAL PAVEMENT MARKING FOR TWO LANE SECTION - NO PASSING ZONES



SYMBOLS

FILE NAME =	USER NAME = dossed	DESIGNED -	REVISED - 10-21-08
ca\pwork\PWIDOT\DOSSDD\dms58890\D205704-sht-standard.dgn		DRAWN -	REVISED -
PLOT SCALE = 50.0000 / IN.		CHECKED -	REVISED -
PLOT DATE = Wed Dec 30 13:26:29 2009		DATE -	REVISED -

STATE OF ILLINOIS  
DEPARTMENT OF TRANSPORTATION

REGION 2 / DISTRICT 2 STANDARD

SCALE: SHEET NO. OF SHEETS STA. TO STA.

F.A.P. RTE.	SECTION	COUNTY	TOTAL SHEETS	SHEET NO.
517	(1-2)M & TS	BOONE	74	61
CONTRACT NO. 64A09				
FED. ROAD DIST. NO.		ILLINOIS FED. AID PROJECT		