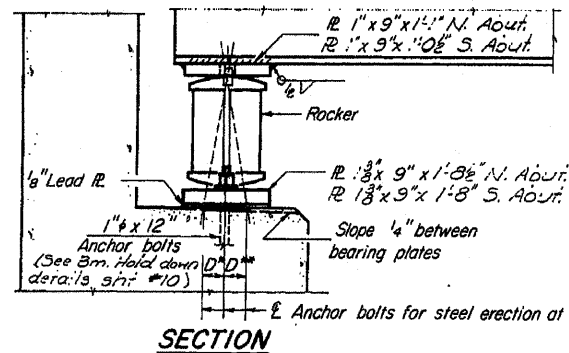
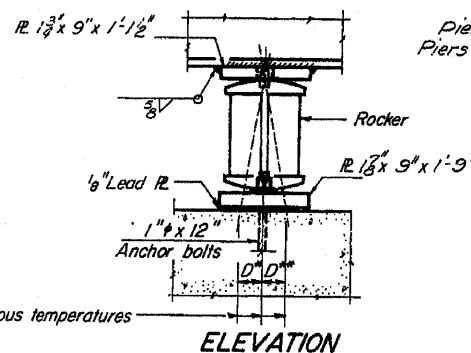


STATE OF ILLINOIS
DEPARTMENT OF TRANSPORTATION

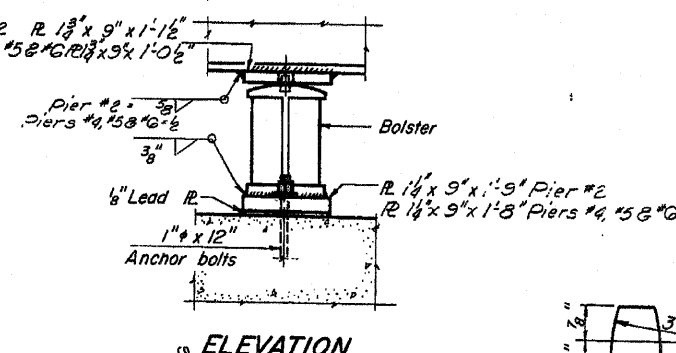
ROUTE NO.	SECTION	COUNTY	TOTAL SHEETS	SHEET NO.
18	106BR	Carroll	46	28
SHEET NO. 11				
19 SHEETS				



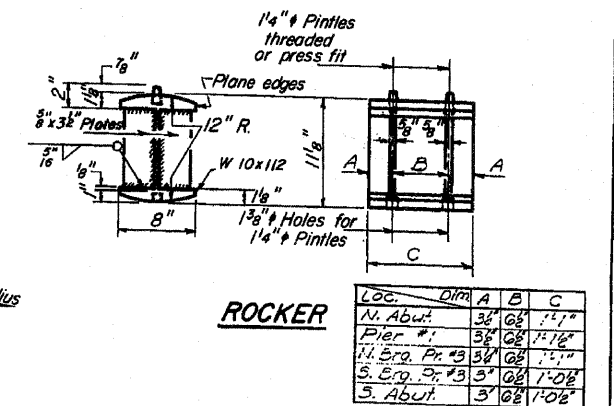
SECTION



ELEVATION

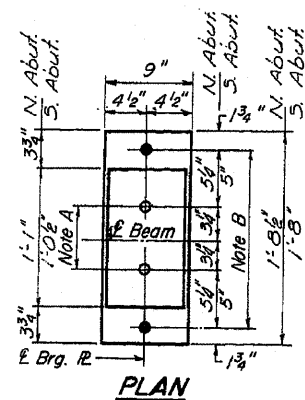


ELEVATION

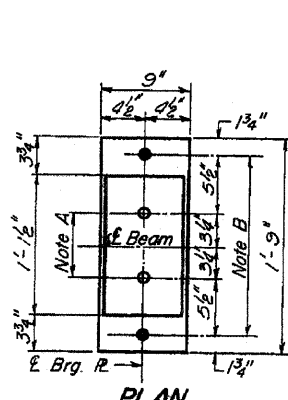


ROCKER

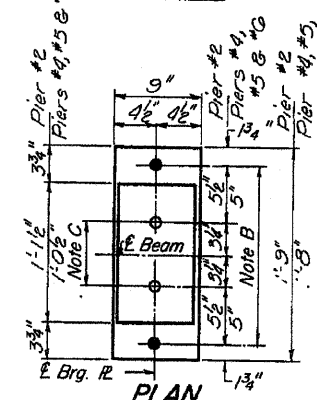
BOLSTER



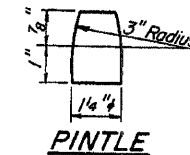
PLAN
AT ABUTMENT



PLAN
AT PIER #1



PLAN
AT PIERS #2,
#4, #5 & #6



PINDLE

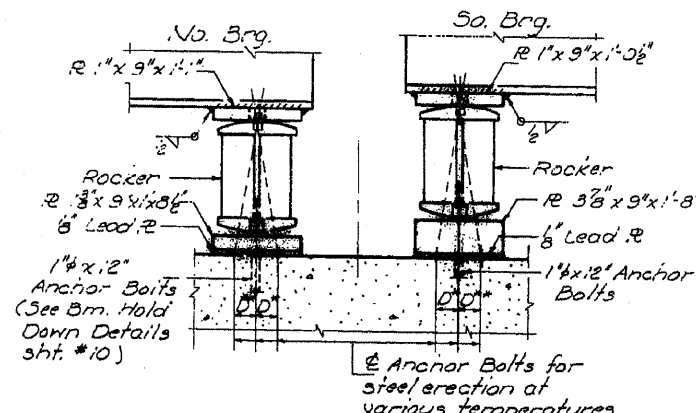
NOTE A
1 3/8" Holes - 1" deep in top R.
for pintles. Thread or press fit
pintles into bottom R.

NOTE B
1 1/2" Holes for 1" anchor bolts.
1 1/2 x 2 1/2 x 2 1/2 R. Washers
under nut.

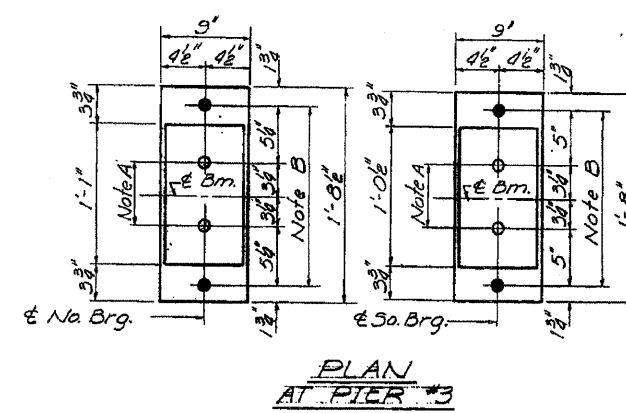
NOTE C
1 3/8" Holes 1" deep in top R.
only for 1/4" pintles.

NOTES ON SETTING OF ANCHOR BOLTS AT EXP. BRGS.

- a) D* (Side of brg. away from fixed brg.)
D* = 1/8" per each 100' of expansion for
every 15° fall below the normal temp.
of 50°F.
D** (Side of brg. toward fixed brg.)
D** = 1/8" per each 100' of expansion for
every 15° rise above the normal temp.
of 50°F.
- b) After beams have been erected and dimensions D* or D**
determined, holes shall be drilled and anchor bolts shall
be grouted in place. All fixed anchor bolts may be built
into the masonry.



ELEVATION AT PIER #3



PLAN
AT PIER #3

FOR INFORMATION ONLY

BEARING DETAILS
I.A. RT. 18 SEC. 106 BR
CARROLL COUNTY
STA. 58+00.0

FILE NAME =	USER NAME = linkd	DESIGNED -	REVISD -	STATE OF ILLINOIS	BEARINGS	F.A. RTE.	SECTION	COUNTY	TOTAL SHEETS	SHEET NO.
G:\BR\Bridg Painting\Contract\PAINTING\64F89\PLANeng.dgn		DRAWN -	REVISD -	DEPARTMENT OF TRANSPORTATION	Structure No. 008-0028	D2 Bridge Painting 2010-	Various	Carroll	18	10
PLDT SCALE = 50.0000 / IN.		CHECKED -	REVISD -							
PLDT DATE = Wed Jan 28 08:27:30 2010		DATE -	REVISD -							
						SCALE: _____	SHEET NO. _____ OF _____ SHEETS	STA. _____ TO STA. _____	ILLINOIS FED. AID PROJECT	