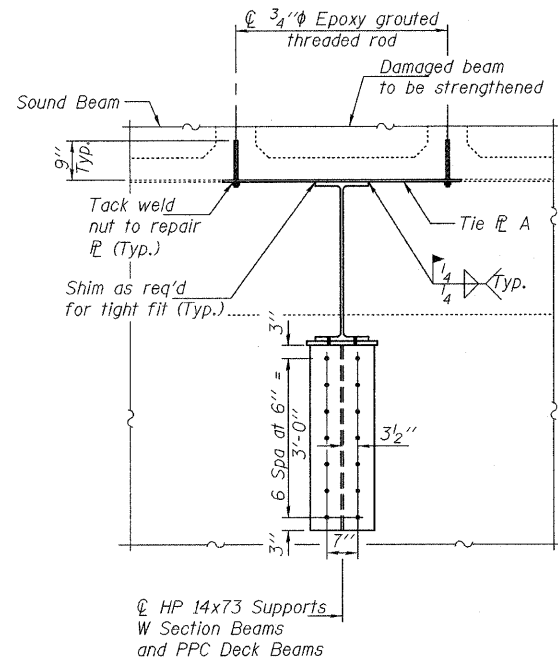
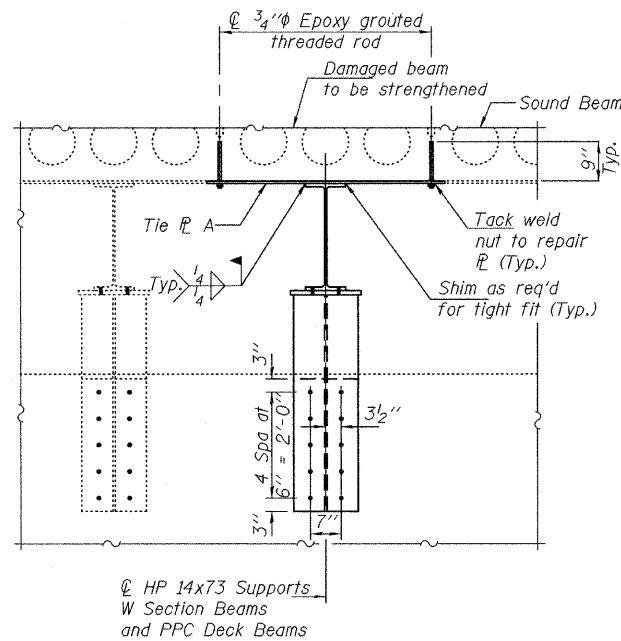


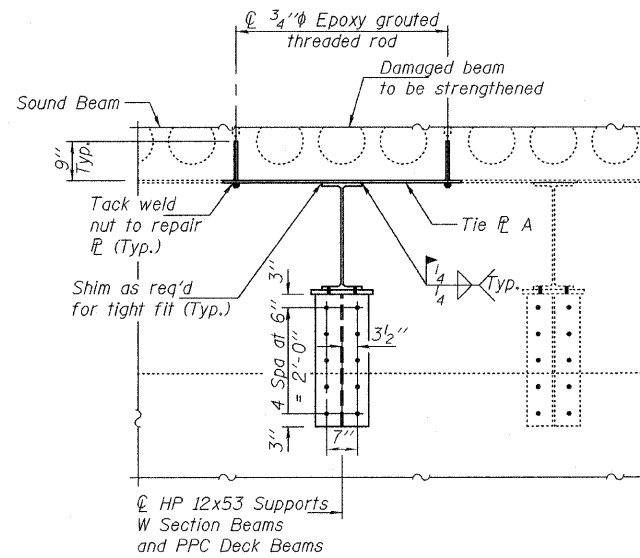
STATE OF ILLINOIS
DEPARTMENT OF TRANSPORTATION



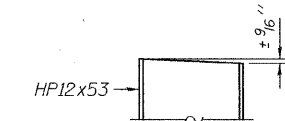
SECTION A-A



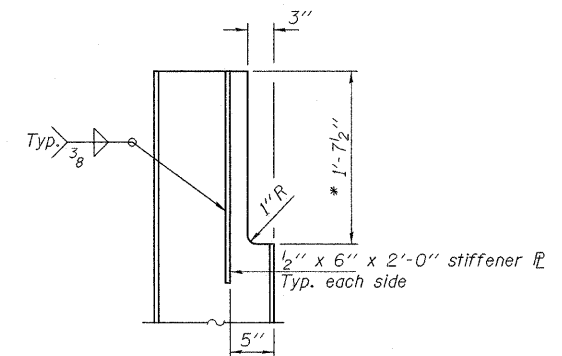
SECTION B-B



SECTION J-J

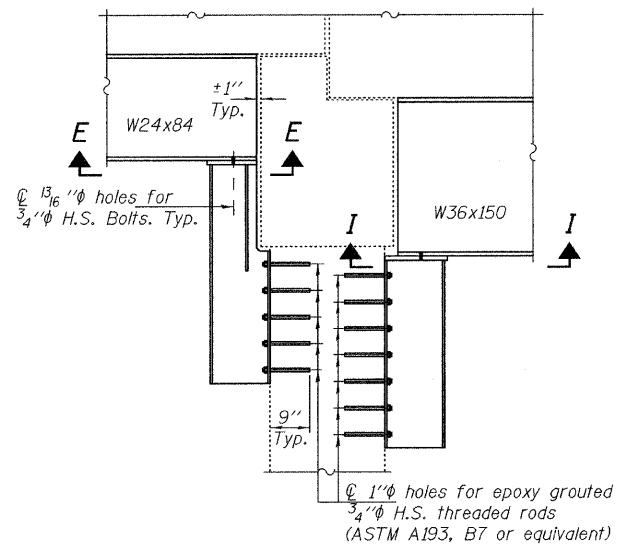


SLOPE CUT AT ABUTMENTS

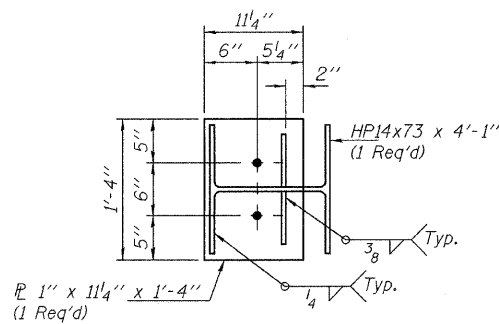


NOTCH AND STIFFENER DETAIL

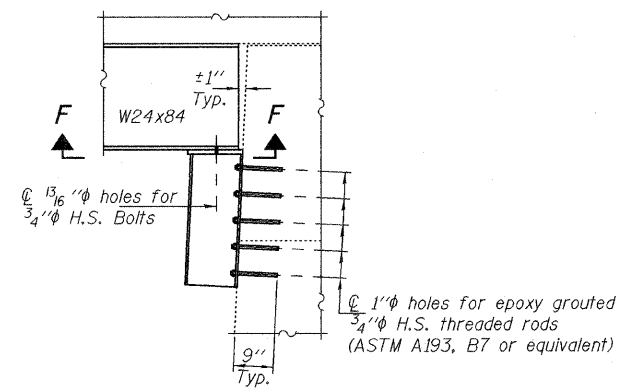
* This dimension can be reduced if existing field conditions allow it.



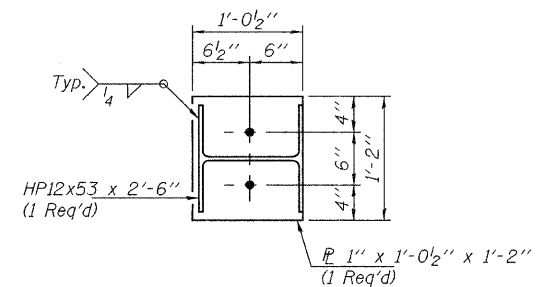
SECTION C-C



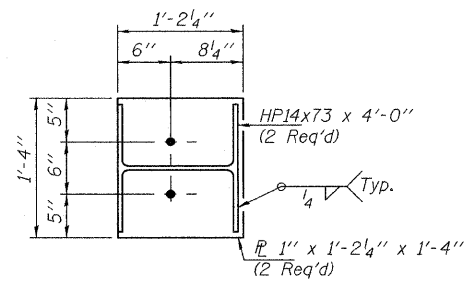
SECTION E-E



SECTION D-D



SECTION F-F



SECTION I-I

DESIGNED	VHV
CHECKED	DAB
DRAWN	ballva
CHECKED	VHV DAB

FEBRUARY 16, 2010
EXAMINED *Carl Provey*
ENGINEER OF STRUCTURAL SERVICES
PASSED *Ralph E. Anderson*
ENGINEER OF BRIDGES AND STRUCTURES

REPAIR DETAILS
F.A.P. RT. 316
SN 052-0026

SHEET NO. 2 2 SHEETS	F.A.P. RTE.	SECTION	COUNTY	TOTAL SHEETS	SHEET NO.
	316	(102BR-1)M-2 & (141BR)M	LEE	7	5
			CONTRACT NO. 64G10		
ILLINOIS FED. AID PROJECT					