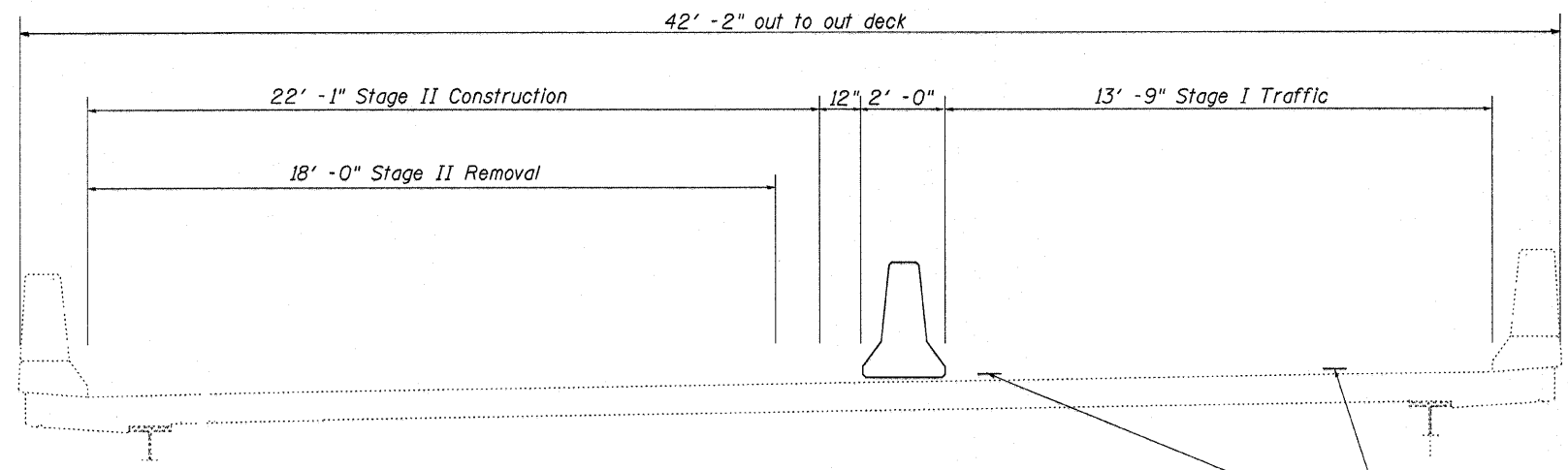


Temporary Pavement Marking

Cross-Section
Stage I
Northbound looking North
Southbound looking South



Temporary Pavement Marking

Cross-Section
Stage II
Northbound looking North
Southbound looking South

Traffic Control
I-39 over the UP Railroad
Structures 101-0069 (SB) & 101-0070 (NB)
Winnebago County

FILE NAME = D:\BRV\CADD plans\Winnebago County\64G12	USER NAME = linkdj	DESIGNED -	REVISD -	STATE OF ILLINOIS DEPARTMENT OF TRANSPORTATION	Staging Cross Sections Structures 101-0069 & 0070		F.A.I. RTE.	SECTION	COUNTY	TOTAL SHEETS	SHEET NO.
	US 20 joints\PLANeng.dgn	DRAWN -	REVISD -				39	(4VBY, 4VBY-1, 5HBM)	Winnebago	36	7
	PLOT SCALE = 50,0000' / IN.	CHECKED -	REVISD -		CONTRACT NO. 64G12						
	PLOT DATE = Mon Feb 08 13:11:28 2010	DATE -	REVISD -		ILLINOIS FED. AID PROJECT						
					SCALE: _____	SHEET NO. _____ OF _____ SHEETS		STA. _____ TO STA. _____			