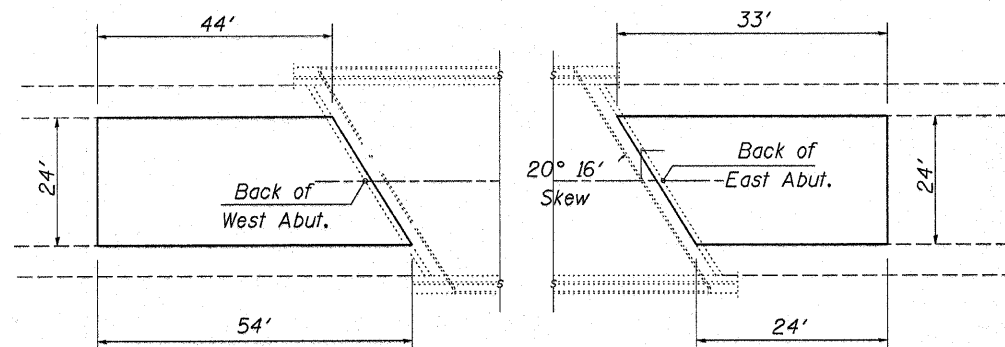
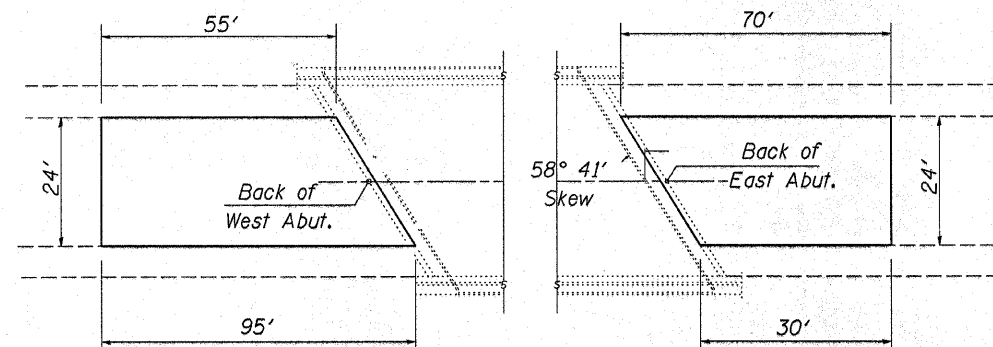


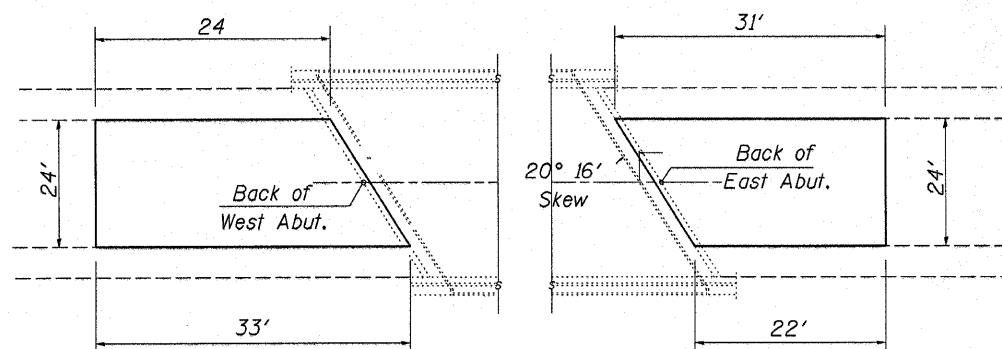
# Bridge Approach Resurfacing



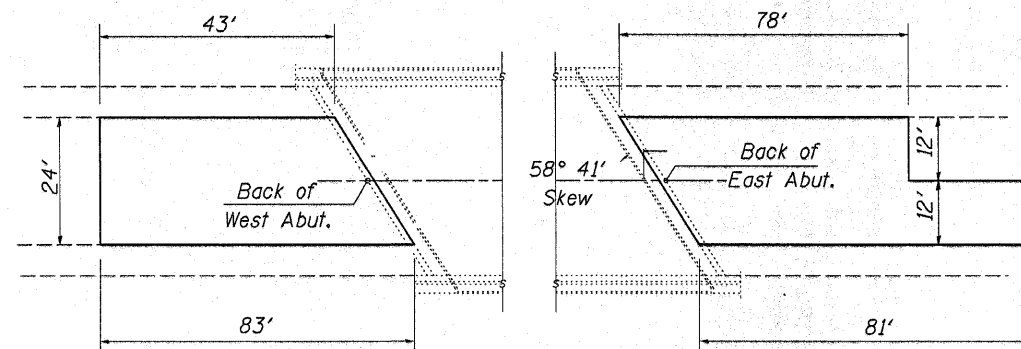
Structure No. 101-0067  
Eastbound Structure



Structure No. 101-0069  
Westbound Structure



Structure No. 101-0068  
Westbound Structure



Structure No. 101-0070  
Eastbound Structure

FILE NAME =	USER NAME = lmkdj	DESIGNED -	REVISED -	<b>STATE OF ILLINOIS DEPARTMENT OF TRANSPORTATION</b>	<b>Bridge Approach Resurfacing Structures 101-0067, 0068, 0069 &amp; 0070</b>	F.A.I. RTE.	SECTION	COUNTY	TOTAL SHEETS	SHEET NO.	
Q:\BRY\CADD plans\Winnebago County\64G12	US 20 Joints\PLANeng.dgn	DRAWN -	REVISED -			39	(4VBY, 4VBY-1, 5HBIM)	Winnebago	36	15	
	PLOT SCALE = 50.0000' / IN.	CHECKED -	REVISED -			CONTRACT NO. 64G12					
	PLOT DATE = Mon Feb 08 13:07:06 2010	DATE -	REVISED -			ILLINOIS FED. AID PROJECT					
					SCALE: _____	SHEET NO. _____ OF _____ SHEETS		STA. _____ TO STA. _____			