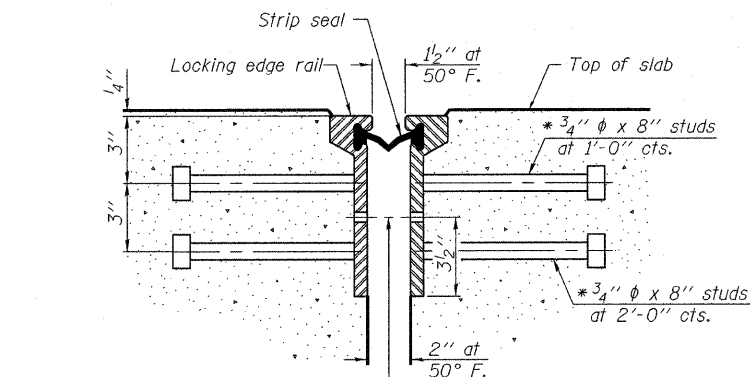


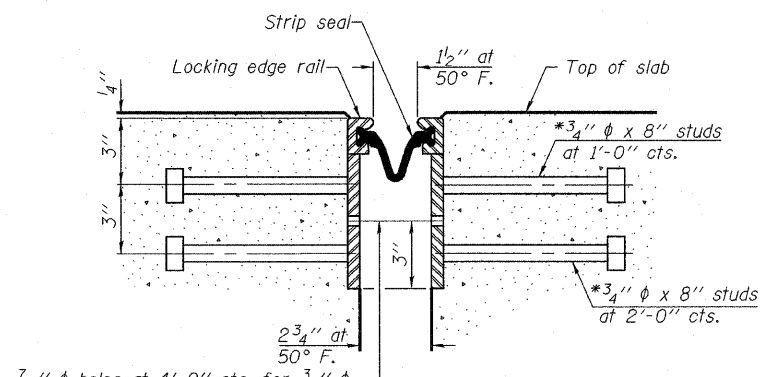
STATE OF ILLINOIS  
DEPARTMENT OF TRANSPORTATION

\* Granular or solid flux filled headed studs conforming to Article 1006.32 of the Std. Specs., automatically end welded.



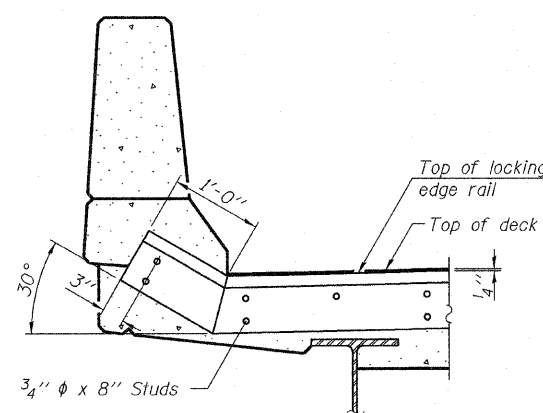
7/16 inch diameter holes at 4 foot 0 inch centers for 3/8 inch diameter bolts. All bolts shall be burned, sawed, or chipped off flush with the plates after forms are removed, typ.

SECTION THRU  
ROLLED RAIL JOINT

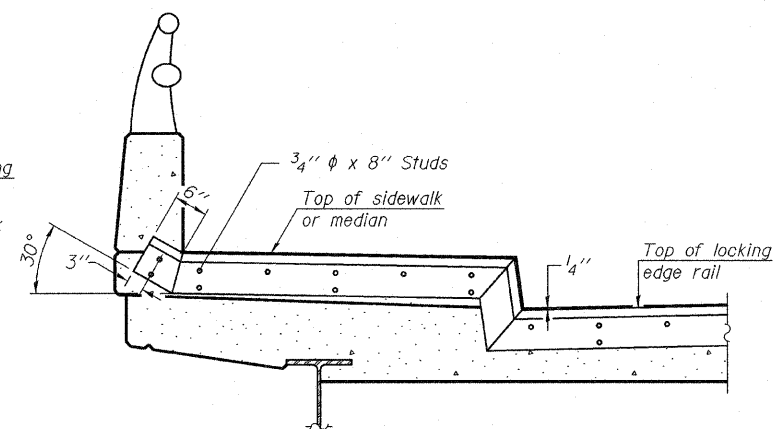


7/16 inch diameter holes at 4 foot 0 inch centers for 3/8 inch diameter bolts. All bolts shall be burned, sawed, or chipped off flush with the plates after forms are removed, typ.

SECTION THRU  
WELDED RAIL JOINT



AT PARAPET  
See Section A-A for end treatment of skews > 30°.



AT SIDEWALK OR MEDIAN  
Shorter plates with a single row of studs at 12 inch centers may be necessary on medians which are shallower than 9 feet. See manufacturer's recommendation.

TYPICAL END TREATMENTS

Notes:

The strip seal shall be made continuous and shall have a minimum thickness of 1/4 inch. The configuration of the strip seal shall match the configuration of the Locking Edge Rails. Open or "webbed" strip seal gland configurations are not permitted. The gland shall be sized for a maximum rated movement of 4 inches.

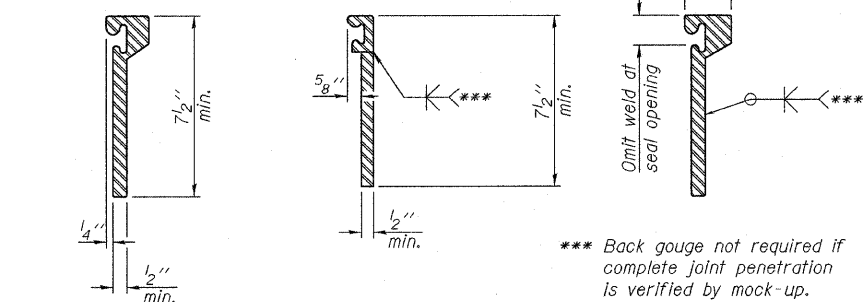
The Locking Edge Rails depicted are conceptual only, except for the minimum dimensions shown. The actual configuration of the Locking Edge Rails and matching strip seal may vary from manufacturer to manufacturer. Flanged edge rails will not be allowed. Locking Edge Rails may be spliced at slope discontinuities.

The manufacturer's recommended installation methods shall be followed.

The joint opening and deck dimensions detailed on the superstructure are based on a rolled rail expansion joint. If the Contractor elects to use the welded rail expansion joint, the opening and deck dimensions shall be modified according to the dimensions detailed on this sheet. Required modifications shall be made at no additional cost to the State.

All steel components shall be galvanized after fabrication according to Article 520.03 of the Standard Specifications.

Maximum space between rail segments at stage lines shall be 3/16 inch, sealed with a suitable sealant.



ROLLED  
EXTRUDED RAIL

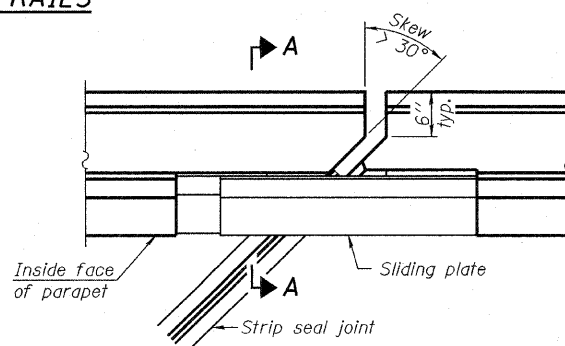
WELDED RAIL

\*\*\* Back gouge not required if complete joint penetration is verified by mock-up.

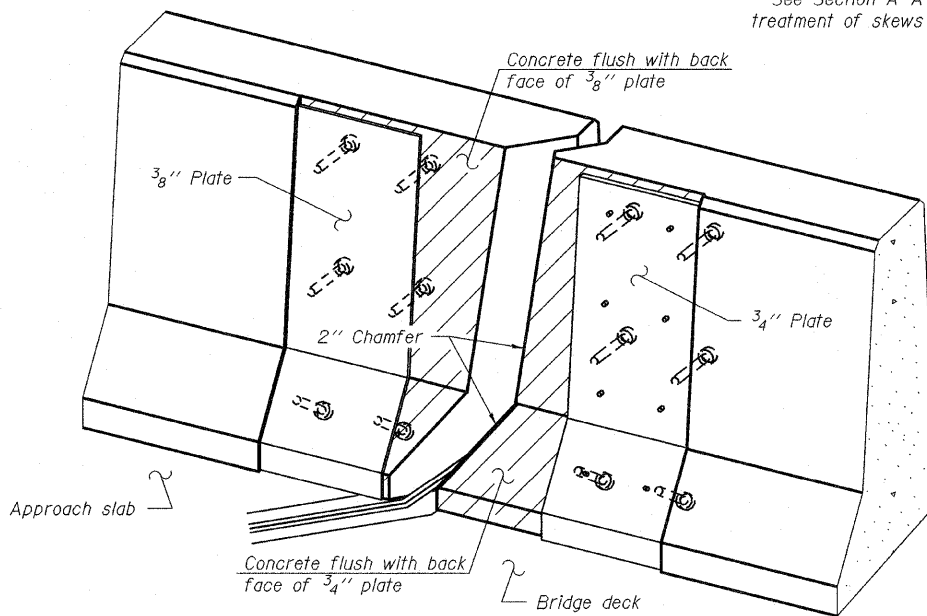
LOCKING EDGE  
RAIL SPLICE

The inside of the locking edge rail groove shall be free of weld residue. Rolled rail shown, welded rail similar.

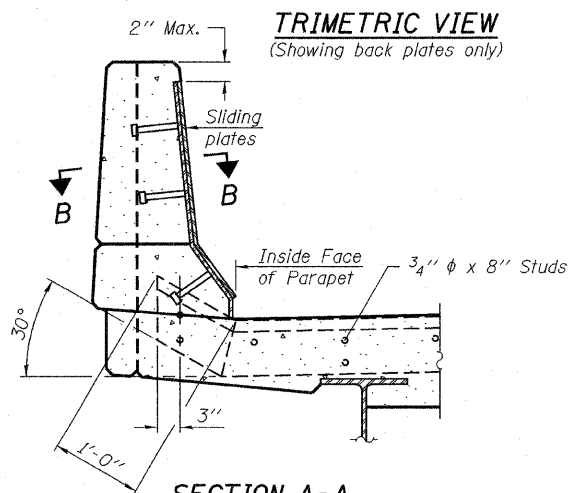
LOCKING EDGE RAILS



PLAN

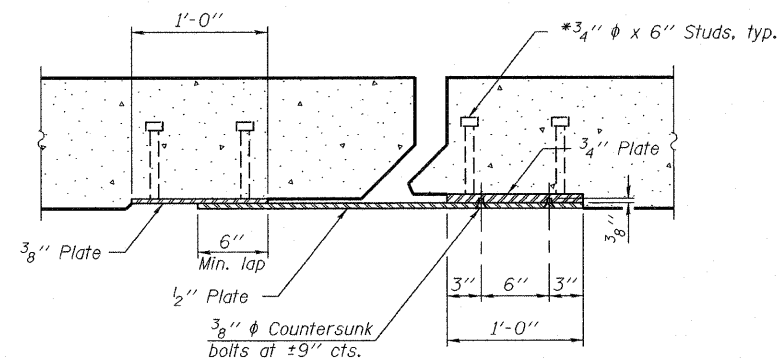


TRIMETRIC VIEW  
(Showing back plates only)



SECTION A-A

POINT BLOCK DETAILS  
(for skews > 30°)



SECTION B-B

BILL OF MATERIAL

Item	Unit	Total
Preformed Joint Strip Seal	Foot	178

PREFORMED JOINT STRIP SEAL DETAILS  
SN 101-0067 (E.B.) & 0068 (W.B.)

DESIGNED	IJL
CHECKED	ATH
DRAWN	Kyle M. Steffen
CHECKED	IJL ATH

MARCH 9, 2010  
EXAMINED *Carl P... ENGINEER OF STRUCTURAL SERVICES*  
PASSED *Ralph E. Anderson ENGINEER OF BRIDGES AND STRUCTURES*

EJ-SSJ

11-1-09

SHEET NO. 5 7 SHEETS	F.A.I. RTE.	SECTION	COUNTY	TOTAL SHEETS	SHEET NO.
	39	(4VBY, 4VBY-1, 5HB)M	WINNEBAGO	36	21
CONTRACT NO. 64G12					
FED. ROAD DIST. NO.		ILLINOIS FED. AID PROJECT			