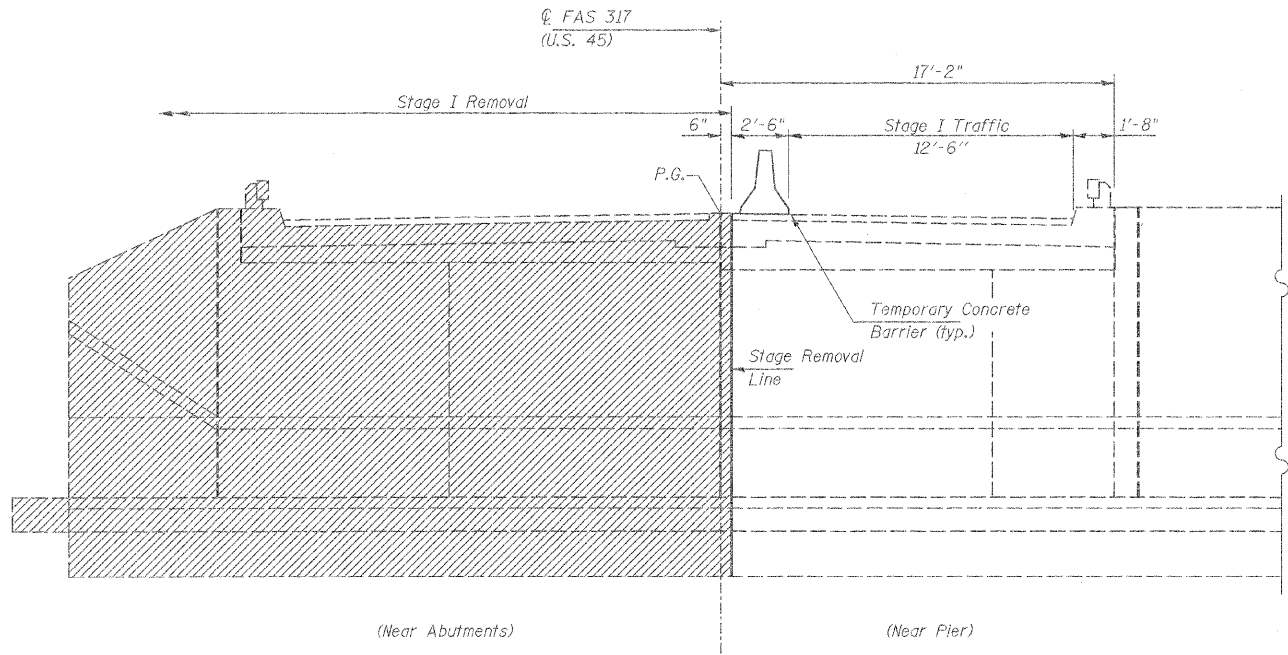


ROUTE NO.	SECTION	COUNTY	TOTAL SHEETS	SHEET NO.
F.A.S. 317	36-BR	IROQUOIS	21	10
FED. ROAD DIST. NO. 7	ILLINOIS	FED. AID PROJECT-		

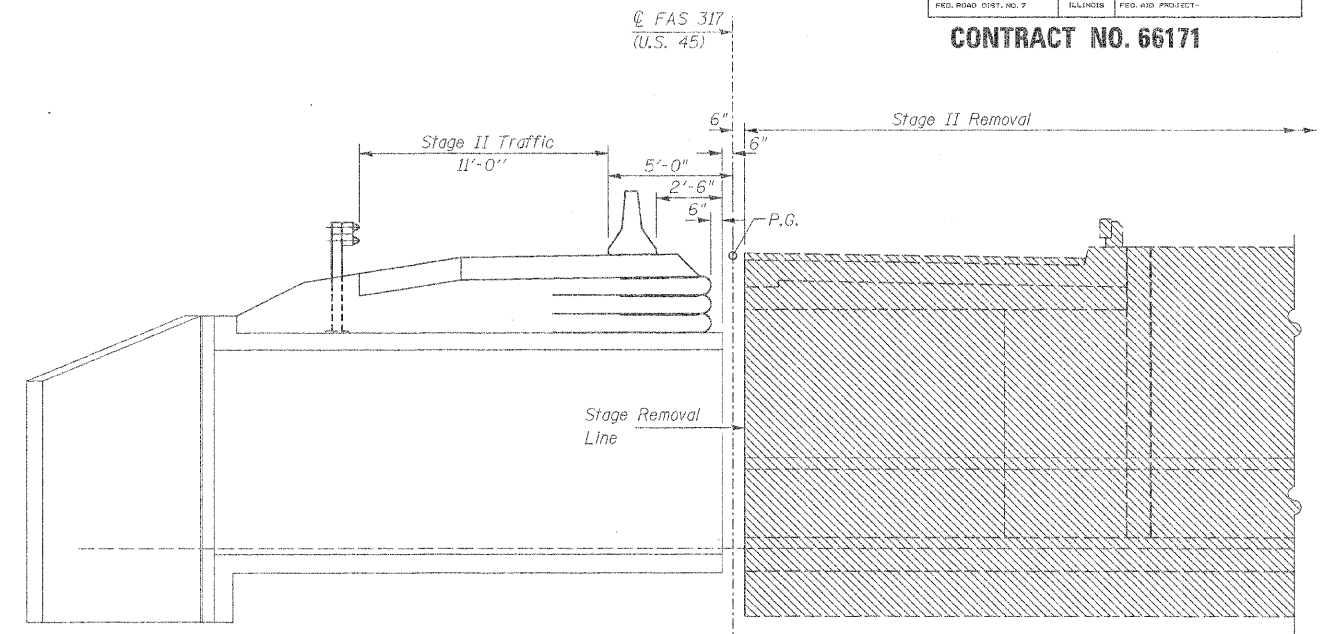
SHEET NO. 2
10 SHEETS

CONTRACT NO. 66171



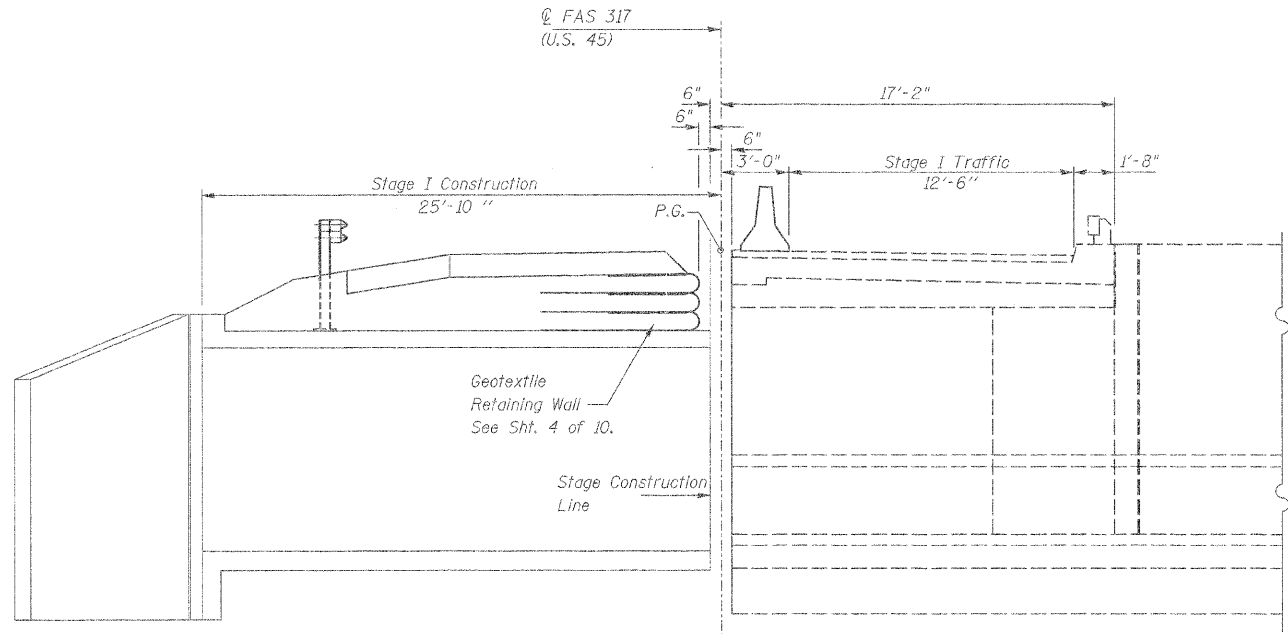
STAGE I REMOVAL

(Looking South)
(Dimensions are at Rt. Angles to CL Roadway)



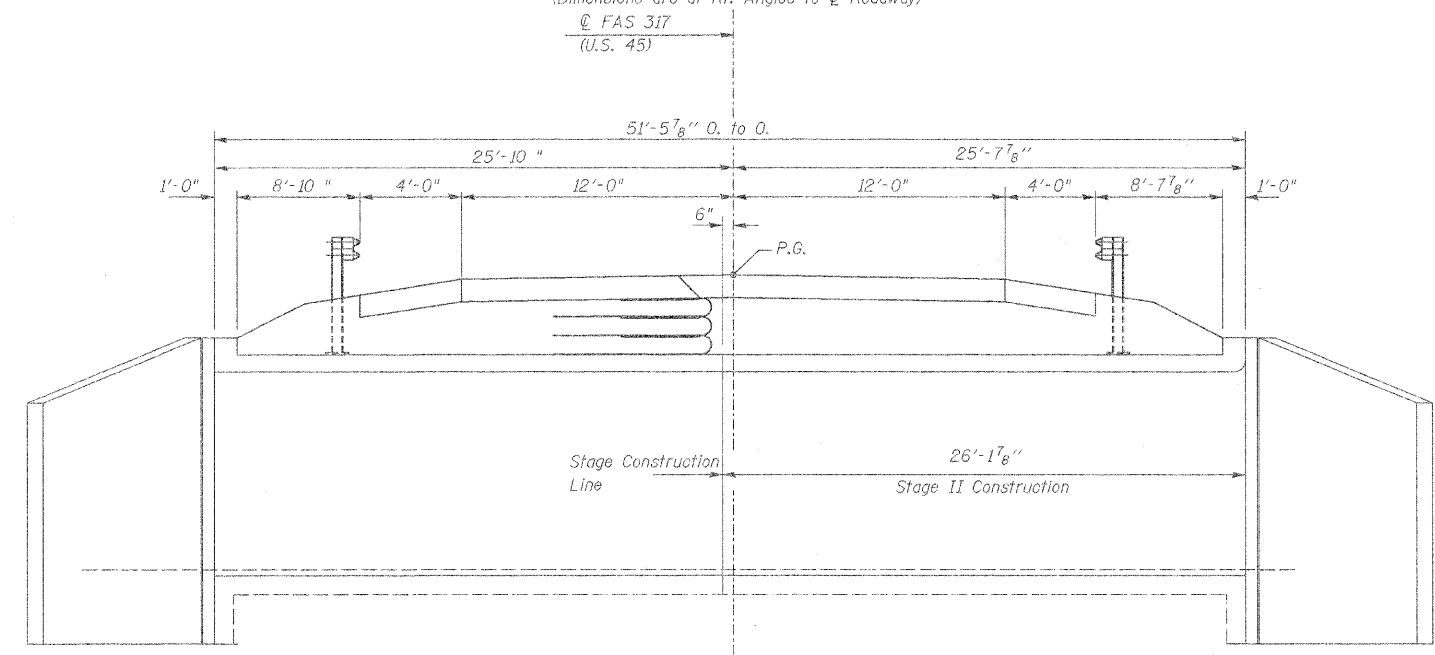
STAGE II REMOVAL

(Looking South)
(Dimensions are at Rt. Angles to CL Roadway)



STAGE I CONSTRUCTION

(Looking South)
(Dimensions are at Rt. Angles to CL Roadway)



STAGE II CONSTRUCTION

(Looking South)
(Dimensions are at Rt. Angles to CL Roadway)

STAGE CONSTRUCTION DETAILS
F.A.S. 317 (U.S. RTE 45) OVER
TRIBUTARY TO SPRING CREEK

SECTION 36-BR
IROQUOIS COUNTY
STATION 1250+85.00
STRUCTURE NO. 038-2015

NOTES:
One lane shall be available for traffic during Stage Construction.
Bracing the existing abutments is the responsibility of the Contractor, prior to removing the existing bridge superstructure.
Hatched area indicates "Removal of Existing Structures". Removal of existing hand rail and existing wearing surface is included with "Removal of Existing Structures".

DESIGNED	R.K.M.
CHECKED	M.E.B.
DRAWN	P.W.S.
CHECKED	M.E.B.



98-767038-0040/2stages.dgn