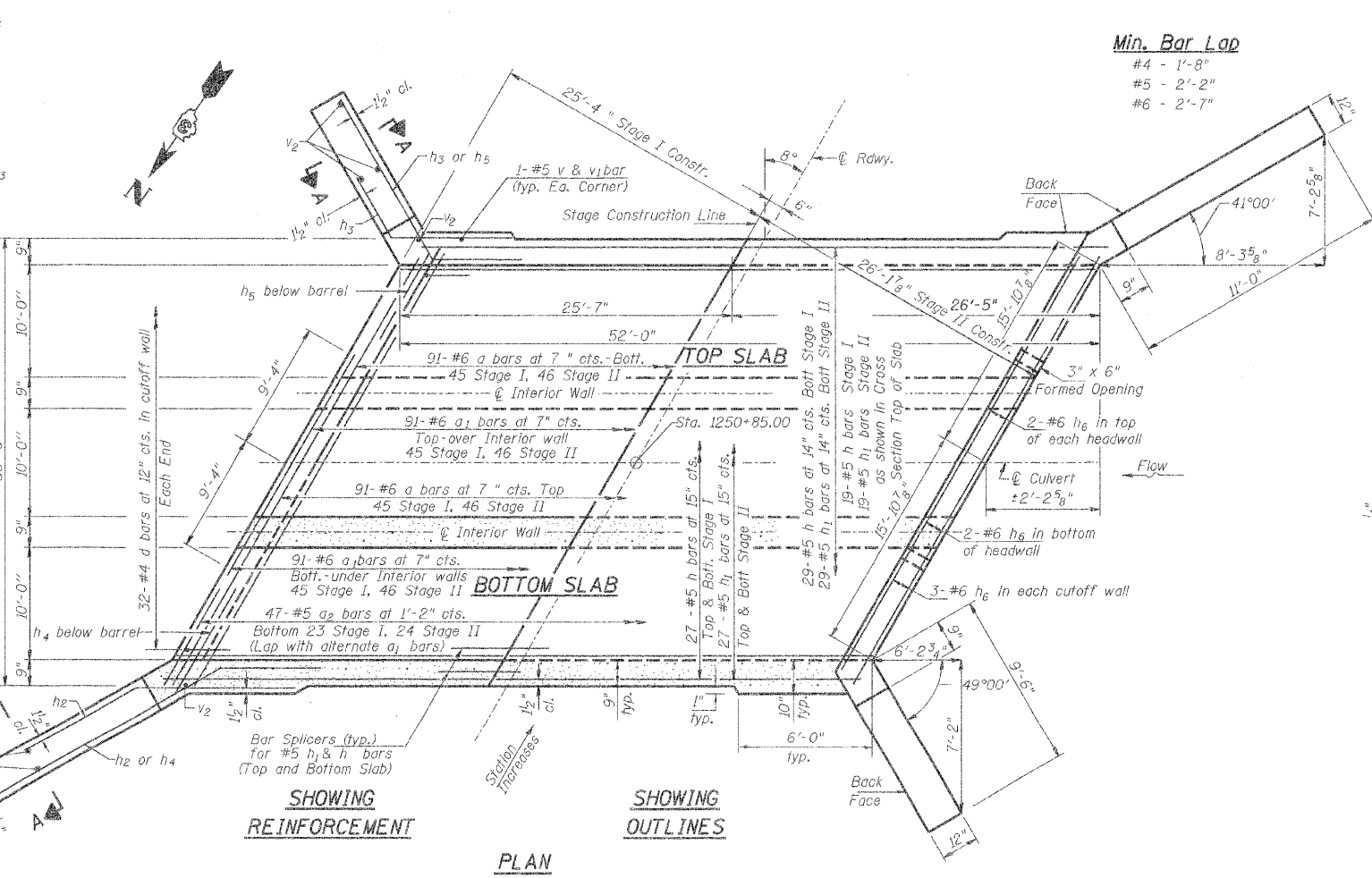
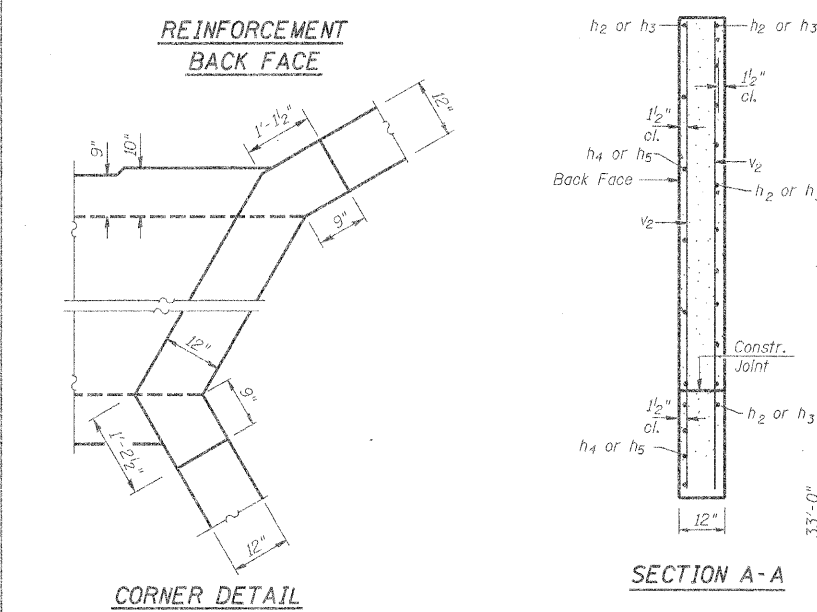
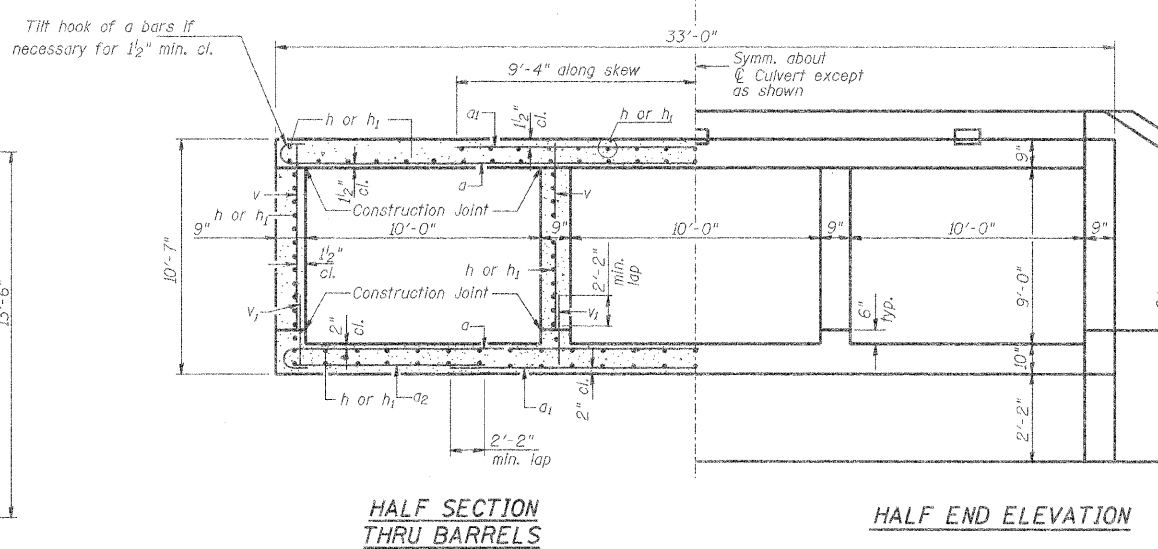
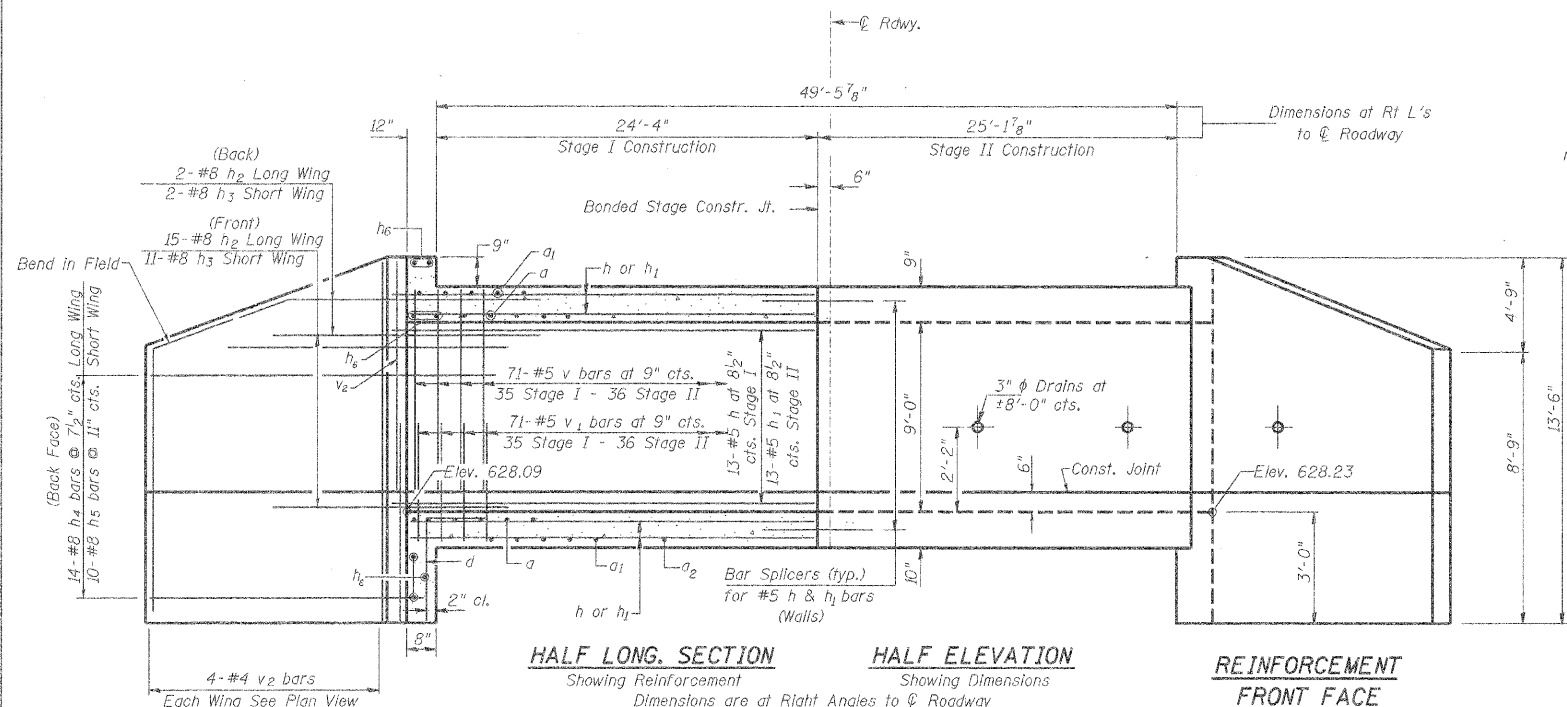


CONTRACT NO. 66171

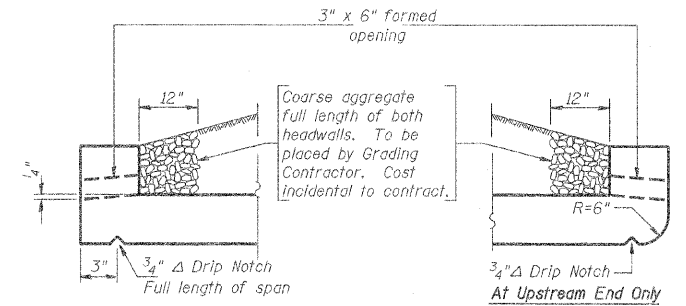


Min. Bar Lap
 #4 - 1'-8"
 #5 - 2'-2"
 #6 - 2'-7"

BILL OF MATERIAL

Bar	No.	Size	Length	Shape	Bar	No.	Size	Length	Shape	
a	182	#6	34'-4"		v	288	#5	9'-0"		
a1	182	#6	18'-8"		v1	288	#5	3'-3"		
a2	94	#5	9'-5"		v2	16	#4	13'-3"		
d	64	#4	4'-9"							
h	154	#5	25'-4"							
h1	154	#5	26'-2"							
h2	34	#8	9'-3"							
h3	24	#8	9'-3"							
h4	28	#8	14'-7"							
h5	20	#8	13'-1"							
h6	18	#6	33'-6"							
									Cu. Yd.	174.7
									Pound	31,640

Concrete Box Culverts
Reinforcement Bars



CULVERT DETAILS

F.A.S. ROUTE 317 (US 45) OVER
 TRIBUTARY TO SPRING CREEK
 SECTION 36-BR
 IROQUOIS COUNTY
 STA. 1250+85.00
 STRUCTURE NO. 038-2015

Note:
 A distance of not less than 6 feet of the barrel shall be poured monolithically with the wing walls.

DESIGNED	R.K.M.
CHECKED	M.E.B.
DRAWN	M.D.
CHECKED	M.E.B.

