

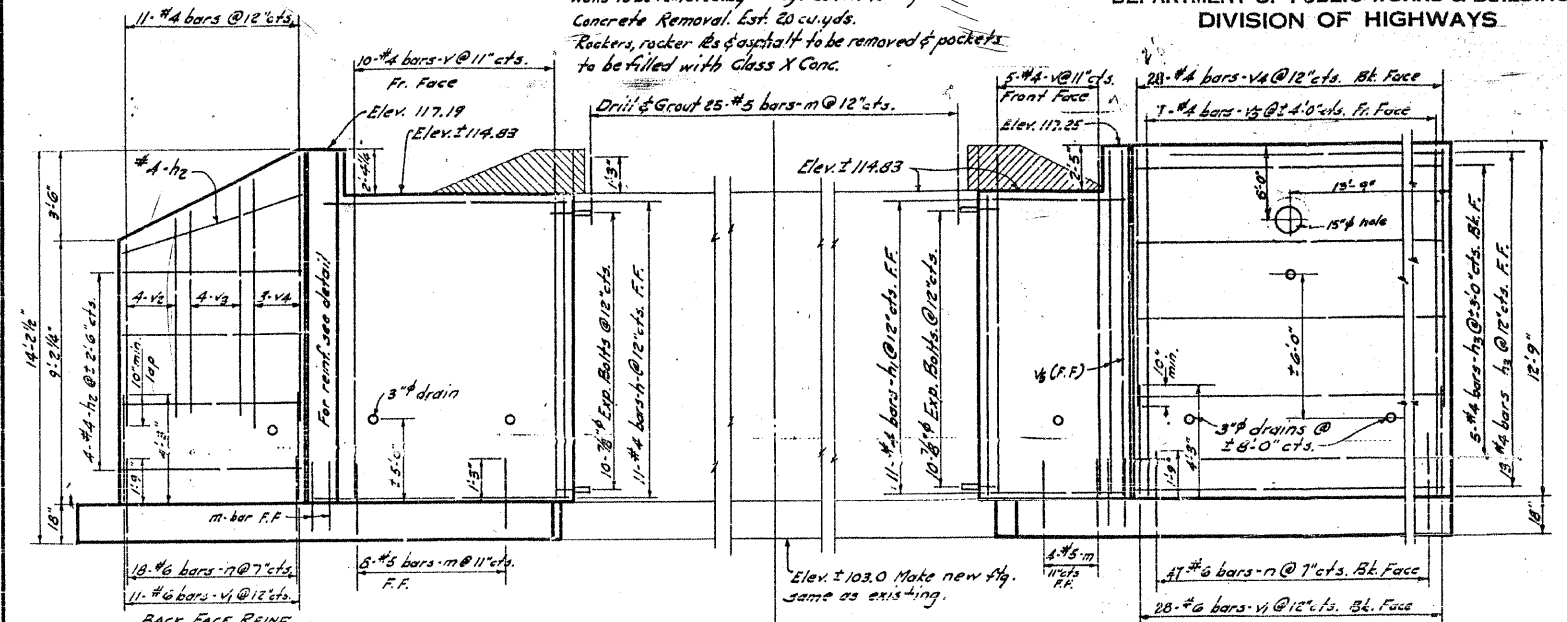
F.A.S. RTE.	SECTION	COUNTY	TOTAL SHEETS	SHEET NO.
317	36 BR	IROQUOIS	21	21P
STA. 1248+00		TO STA. 1254+50		
FED. ROAD DIST. NO. 3		ILLINOIS FED. AID PROJECT		

CONTRACT NO. 66171

ROUTE NO.	SECTION	QUALITY	TOTAL SHEETS	SHEET NO.
R. & I. 25	36 BR	Iroquois	21	17
F.A.	FED. AID PROJECT			

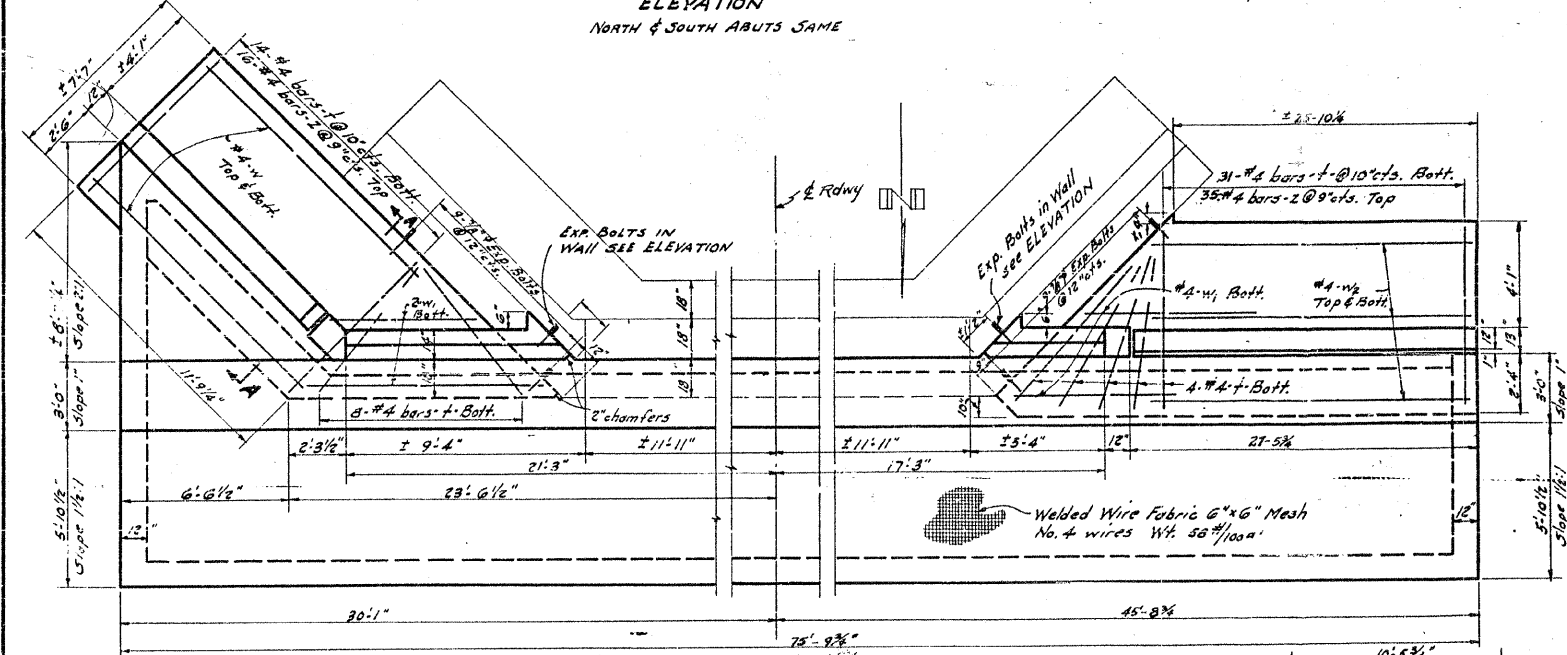
**STATE OF ILLINOIS
DEPARTMENT OF PUBLIC WORKS & BUILDINGS
DIVISION OF HIGHWAYS.**

Cross-hatch area shows portion of existing wing walls to be removed by bridge contractor to be paid for as concrete removal. Est. 20 cu. yds. Rocker, rocker & asphalt to be removed & pockets to be filled with class X conc.

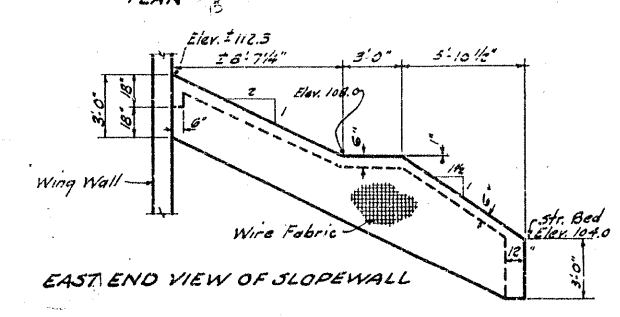


**ELEVATION
NORTH & SOUTH ABUTS SAME**

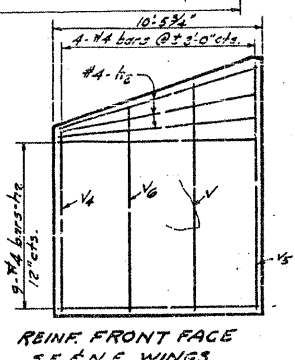
S.W. & N.W. WINGS



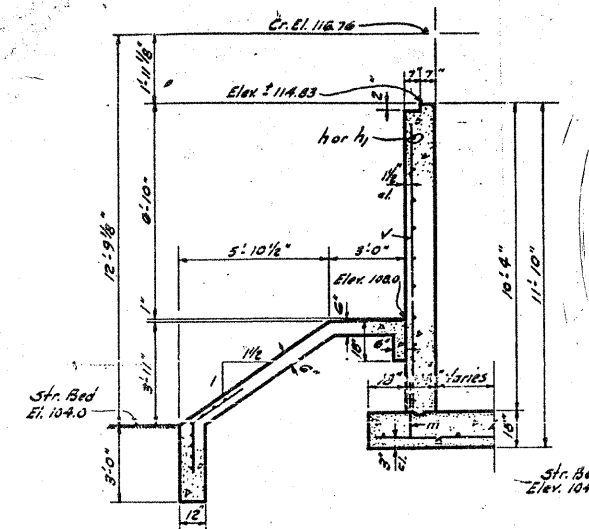
PLAN



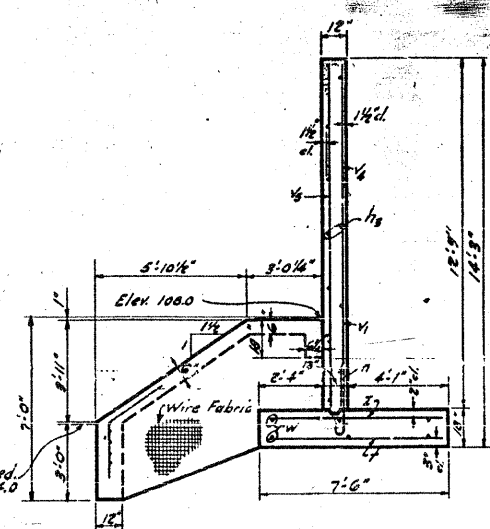
EAST END VIEW OF SLOPEWALL



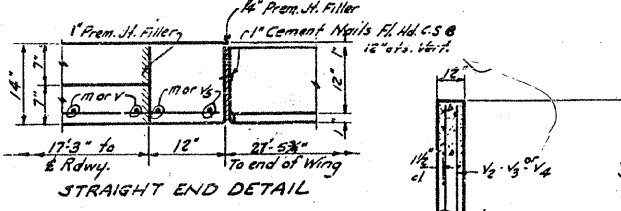
**REINFC. FRONT FACE
S.E. & N.E. WINGS**



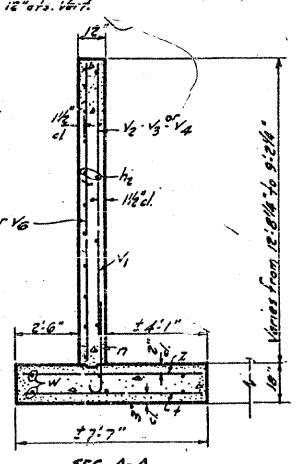
CROSS-SECTION - NEW ABUT.



END VIEW N.W. & S.W. WINGS

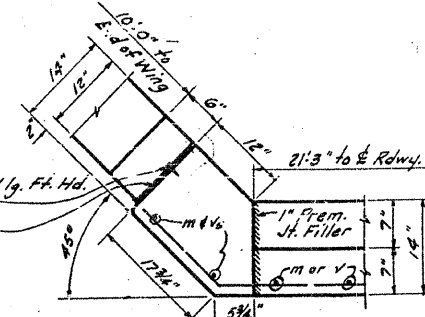


STRAIGHT END DETAIL

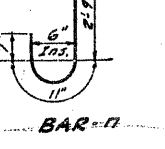


SEC. A-A

Note: No piles used under existing footing



S.E. & N.E. CORNER DETAILS



BILL OF MATERIAL - SUBSTRUCTURE

Bar No.	Size	Length	Shape
V	32 #4	11'-6"	
V1	10 #6	4'-3"	
V2	8 #4	6'-0"	
V3	8 #4	8'-0"	
V4	64 #4	9'-0"	
V5	24 #4	12'-6"	
V6	2 #4	10'-3"	
H	22 #4	10'-3"	
H1	22 #4	5'-3"	
H2	34 #4	10'-0"	
H3	36 #4	27'-0"	
M	82 #5	2'-6"	
N	130 #6	4'-3"	
T	114 #4	7'-0"	
Z	102 #4	7'-0"	
W	12 #4	11'-6"	
W1	8 #4	8'-0"	
W2	12 #4	27'-0"	

Class X Concrete	Cu.Yds.	87.4
Reinforcement Bars	Lbs.	4,930
Expansion Bolts (3/8")	Ea.	76
Concrete Removal	Cu.Yds.	2.0
Slope wall	Sq.Yds.	270
Class A Excav. for Structure	Cu.Yds.	220.0
Class B Excav. for Structure	Cu.Yds.	120.0
Channel Excavation	Cu.Yds.	250

Note: All bars shall be round A.S.T.M. A305-49. The size number is the number of one eighth inches in the nominal diameter.

**SUBSTRUCTURE
PROJ. P.I. 29(13)
F.A. RTE. 26 (S.B. I. RT. 25) SEC. 36-BY
IROQUOIS CO.
STA. 1250+65(11)**

DESIGNED	<i>Joseph J. Harlett</i>	EXAMINED	April 16 1952
CHECKED	<i>James J. Hawerling</i>	PASSED	<i>W. B. Harrison</i>
DRAWN	<i>R. St.</i>	APPROVED	<i>F. J. ...</i>
CHECKED	<i>James J. Hawerling</i>		