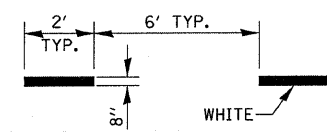
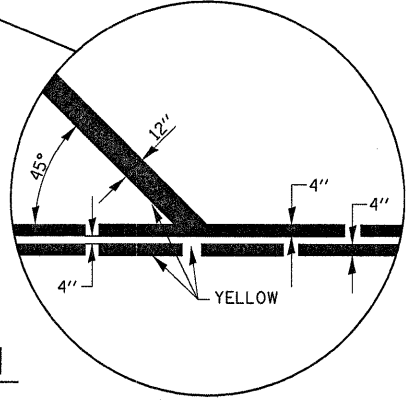
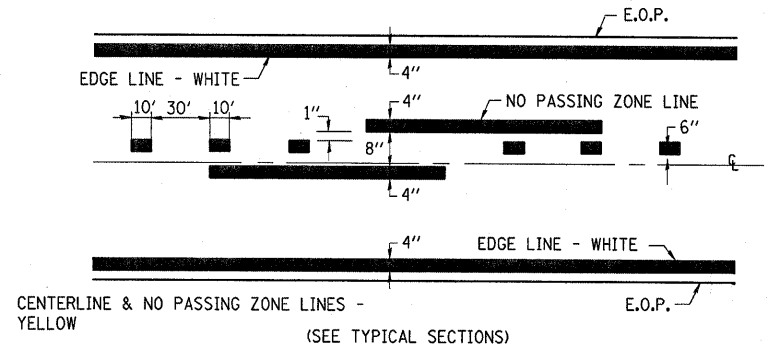


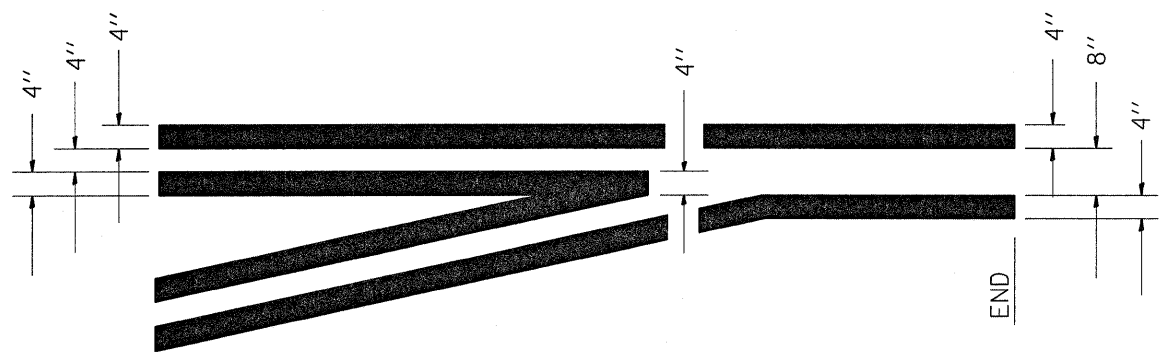
**LEFT TURN LANE WITH APPROACH MEDIAN**



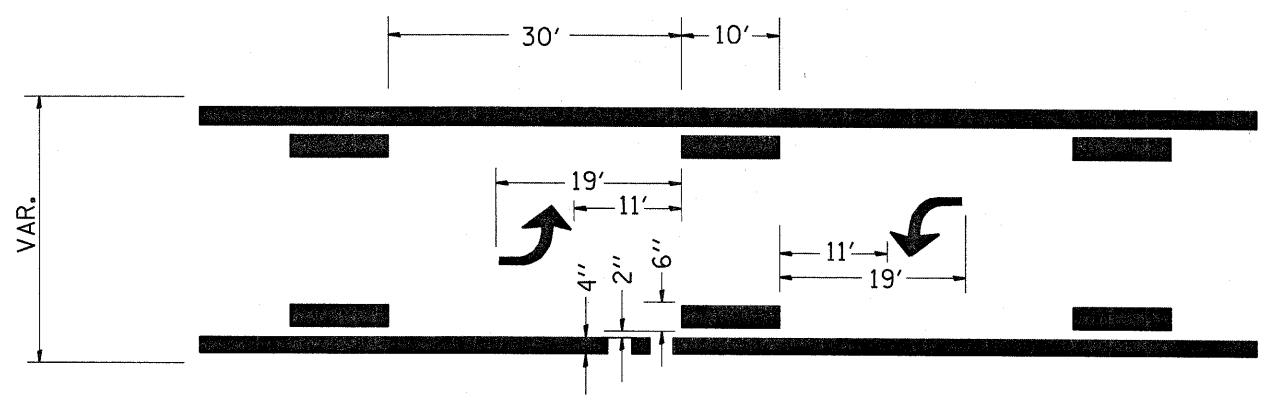
**ADVANCE AND INTERSECTION LANE DIVIDER LINES**



**PAVEMENT MARKING**



**TYPICAL APPLICATION @ LEFT TURN LANES**



**TYPICAL APPLICATION @ BI-DIRECTIONAL TURN LANE**

FILE NAME =	USER NAME = carpenterdj	DESIGNED -	REVISED -	<b>STATE OF ILLINOIS DEPARTMENT OF TRANSPORTATION</b>	<b>PAVEMENT MARKING DETAILS</b>				F.A.S. RTE.	SECTION	COUNTY	TOTAL SHEETS	SHEET NO.
ca:\pwork\pwidot\carpenterdj\d0172756	ollshs.dgn	DRAWN -	REVISED -						1279	(P10,P6,IRS-1)	LASALLE	19	15
	PLOT SCALE = 50,0000' / IN.	CHECKED -	REVISED -		SCALE: SHEET NO. OF SHEETS STA. TO STA.				CONTRACT NO. 66438				
	PLOT DATE = Jan 29, 2010 - 11:29:27 AM	DATE -	REVISED -		ILLINOIS FED. AID PROJECT								