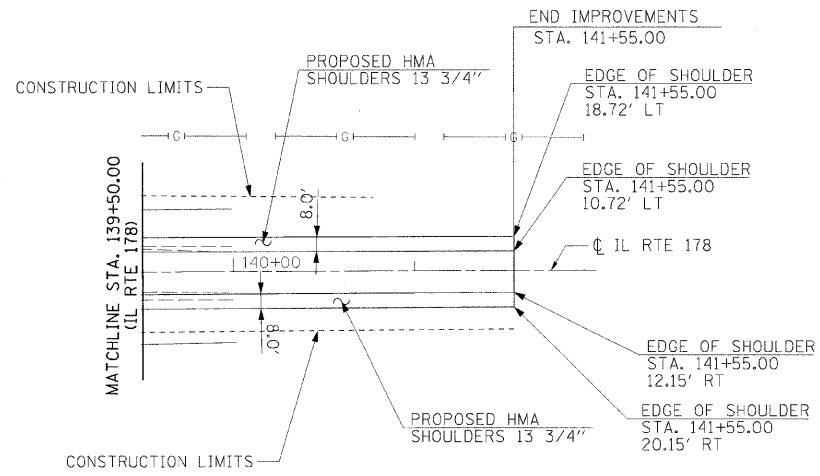
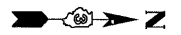
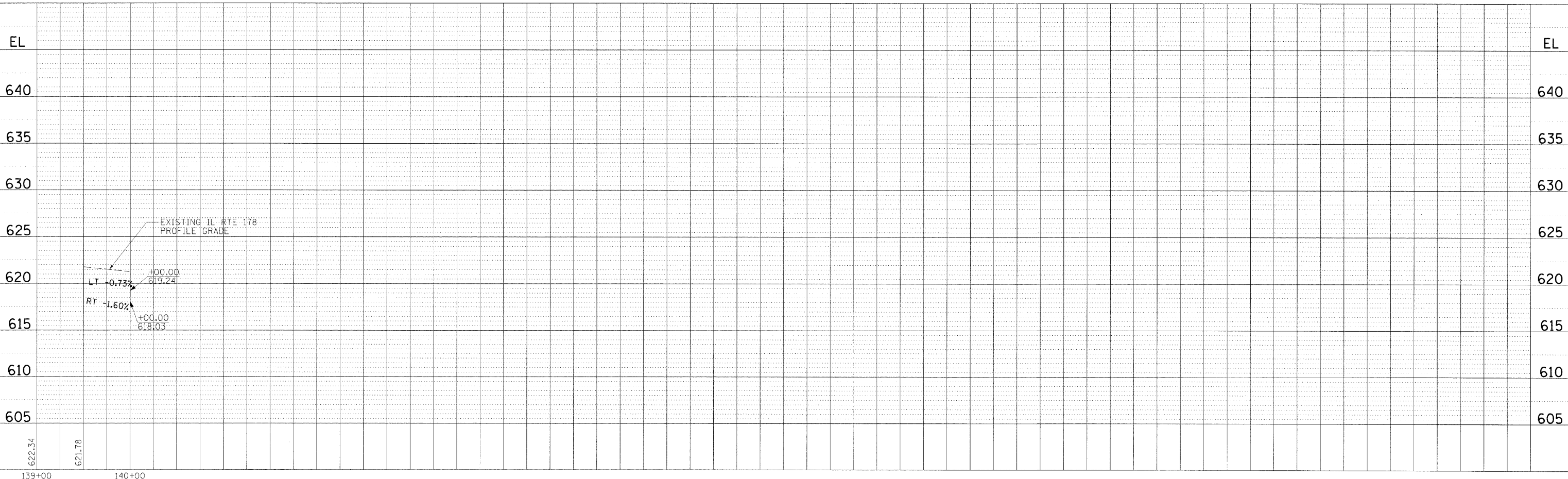
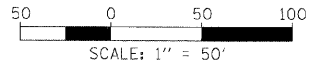


F.A.I. RTE.	SECTION	COUNTY	TOTAL SHEETS	SHEET NO.
80	(50-3)HBK	LASALLE	492	76
STA. 124+50.00		TO STA. 136+67.35		
FED. ROAD DIST. NO.	ILLINOIS	FED. AID PROJECT		



NOTE: SEE DRAINAGE & UTILITIES SHEETS FOR ADDITIONAL DRAINAGE INFORMATION



PLAN	BY	DATE
DESIGNED		
CHECKED		
PLOTTED		
ALIGNMENT CHECKED		
NOTE BOOK NO.		
FILE NAME		

HANSON
 Hanson Professional Services Inc.
 2000 North Lincoln Road
 Springfield, Illinois 62703-2886
 Offices Nationwide

PROFILE	BY	DATE
DESIGNED		
CHECKED		
PLOTTED		
NOTE BOOK NO.		
FILE NAME		

LAYOUT	DATE	BY
DRAWN	08/22/06	KET
REVIEWED	08/22/06	RAC

MODEL NAME = IL_Rte_178_Sht_5
 PLOT DATE = 12/23/2009
 FILE NAME = C:\PW_Export\1C-701\PRB\A.dgn
 PLOT SCALE = 56.0000 / 1 in.
 USER NAME = JohnM0944