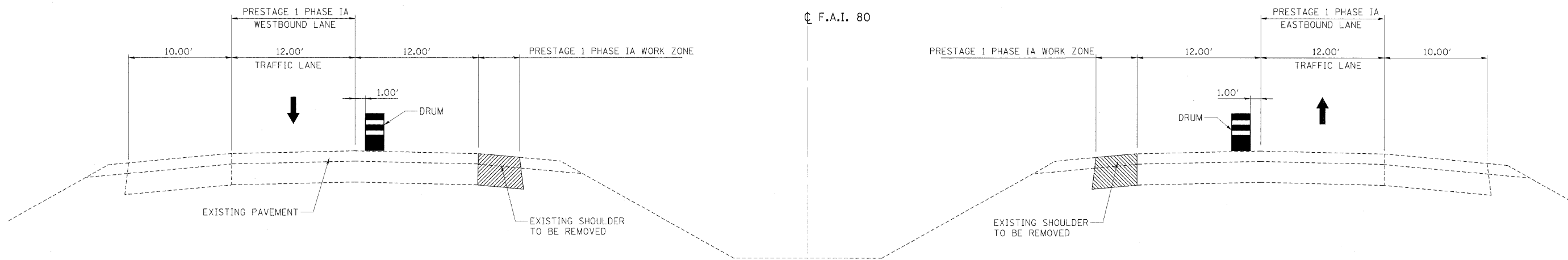


F.A.I. RTE.	SECTION	COUNTY	TOTAL SHEETS	SHEET NO.
80	(50-3)HBK	LASALLE	492	116
STA.		TO STA.		
FED. ROAD DIST. NO.	ILLINOIS	FED. AID PROJECT		



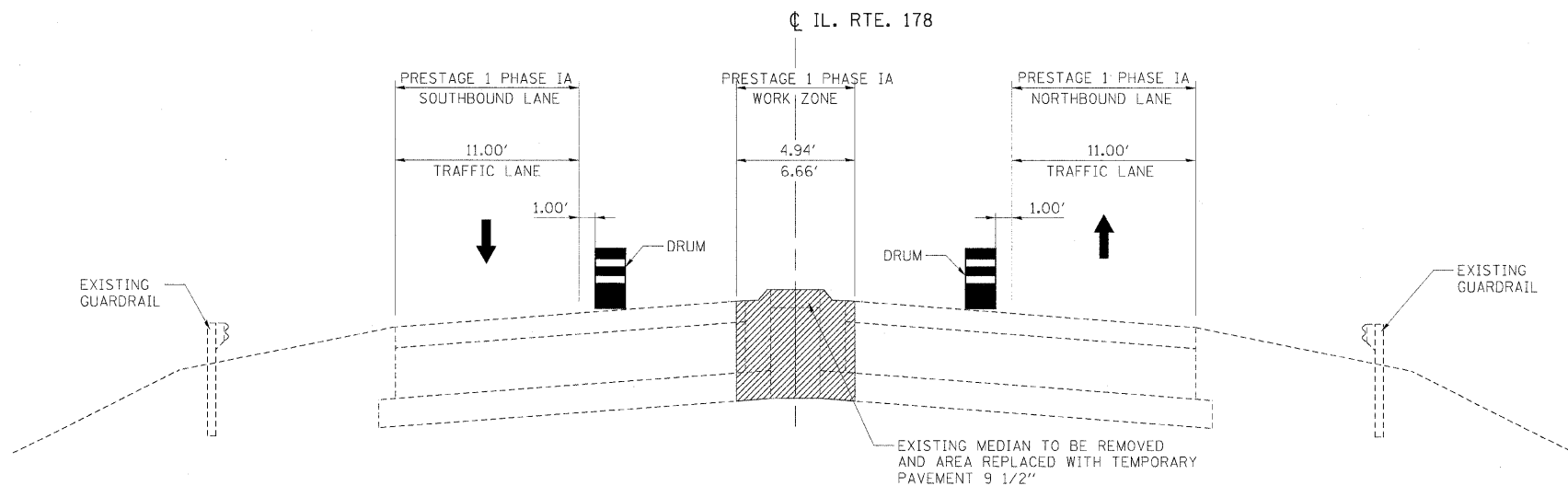
PRESTAGE 1 PHASE IA WORK ZONE AND TRAFFIC

EASTBOUND STA 869+57.86 R2 TO STA 30+89.60 R3
 WESTBOUND STA 866+05.68 R2 TO STA 24+98.57 R3

F.A.I. 80 STATION EQUATIONS:
 STA. 895+86.35 BACK = STA 895+86.15 AHEAD
 STA 914+99.99 BACK = STA 19+07.12 AHEAD

NOTES:

ALL WORK PERFORMED ON OR ADJACENT TO F.A.I. 80 SHALL BE COMPLETED DURING NIGHT TIME OPERATIONS ONLY.



PRESTAGE 1 PHASE IA WORK ZONE AND TRAFFIC

STA 110+75.00 TO STA 112+15.00
 STA 118+35.00 TO STA 119+64.47

REVISIONS	
NAME	DATE

ILLINOIS DEPARTMENT OF TRANSPORTATION

MAINTENANCE OF TRAFFIC
 TYPICAL SECTIONS
 PRESTAGE 1 - PHASE IA

SCALE: VERT. NA
 HORIZ. NA
 DATE

DRAWN BY RSJ
 CHECKED BY

© Copyright Hanson Professional Services Inc. 2009
HANSON
 Hanson Professional Services Inc.
 1525 South Sixth Street
 Springfield, Illinois 62703-2886
 Offices Nationwide

MODEL NAME = PS Phase IA
 PLOT NAME = 12-23-2009
 FILE NAME = 12-23-2009
 PLOT SCALE = 5/80000
 USER NAME = Jahn@09/04

LAYOUT	RSJ	09/07/05
DRAWN	RSJ	09/07/05
REVIEWED	MTM	10/11/07