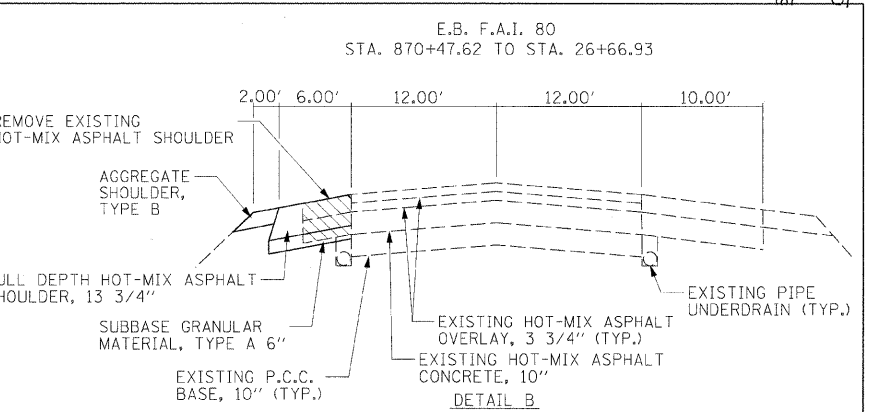
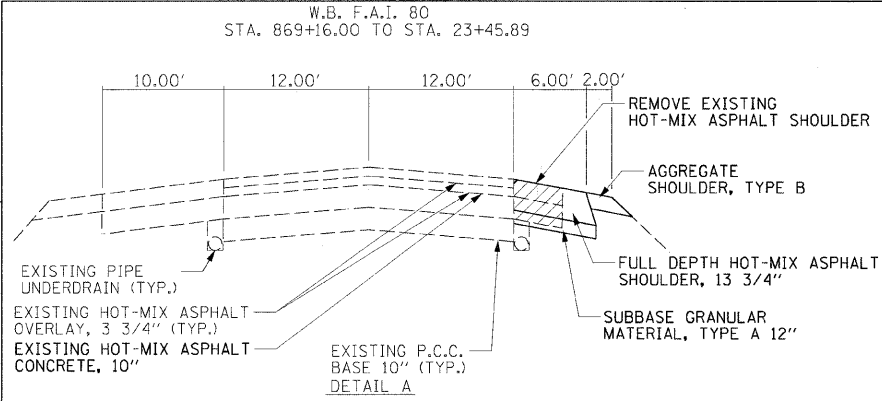
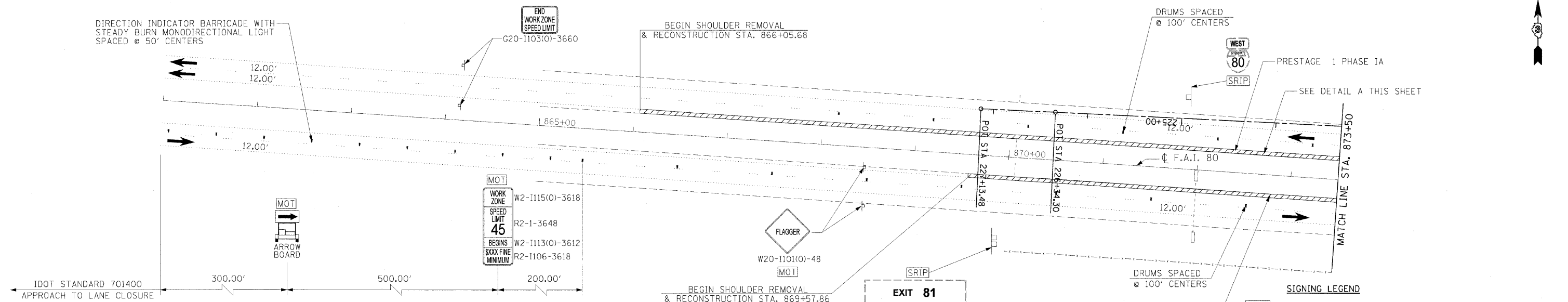
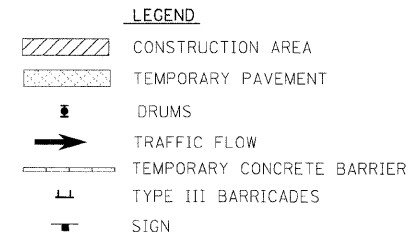


F.A.I. RTE.	SECTION	COUNTY	TOTAL SHEETS	SHEET NO.
80	(50-3)HBK	LASALLE	492	121
STA.		TO STA.		
FED. ROAD DIST. NO.		ILLINOIS FED. AID PROJECT		

NOTE:
USE IDOT STANDARD 701401 IN COMBINATION WITH IDOT STANDARD 701400 FOR LANE CLOSURE AND SIGNING



NOTES:
1. ALL WORK PERFORMED ON OR ADJACENT TO F.A.I. 80 SHALL BE COMPLETED DURING NIGHT TIME OPERATIONS ONLY.



REVISIONS	
NAME	DATE

ILLINOIS DEPARTMENT OF TRANSPORTATION
MAINTENANCE OF TRAFFIC
PRESTAGE 1 PHASE I
SHEET 1 OF 15
SCALE: VERT. N/A
HORIZ. 1"=50'
DRAWN BY MEW
CHECKED BY RC

HANSON
Hanson Professional Services Inc.
1525 South Sixth Street
Springfield, Illinois 62703-2886
Offices Nationwide

MODEL NAME = PS 1 Phase I Sht. 1
PLOT DATE = 12/23/2009
PLOT SCALE = 1/8"=1'-0"
DRAWN BY = J. J. ...
REVIEWED BY = J. J. ...