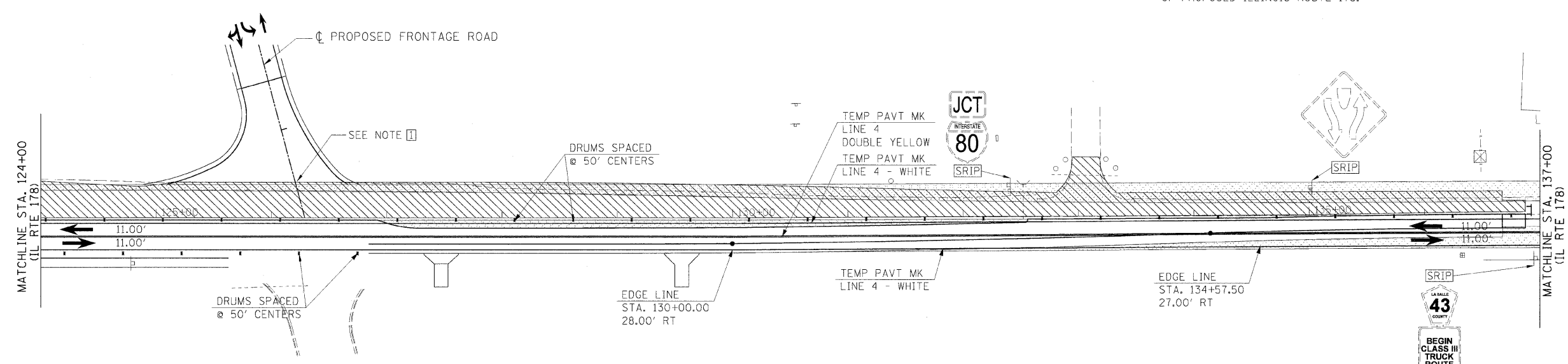


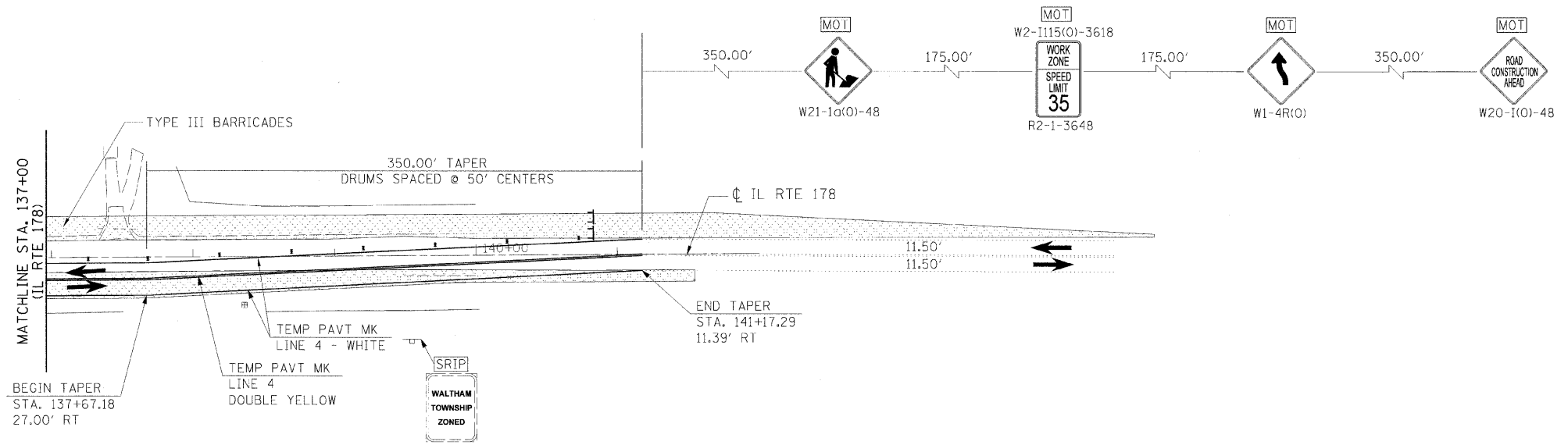
F.A.I. RTE.	SECTION	COUNTY	TOTAL SHEETS	SHEET NO.
80	(50-3)H&K	LASALLE	492	174
STA.		TO STA.		
FED. ROAD DIST. NO.		ILLINOIS FED. AID PROJECT		

NOTE:
 1 THE CONTRACTOR SHALL MAINTAIN ACCESS AT ALL TIMES TO THE PROPOSED FRONTAGE ROAD DURING CONSTRUCTION OF PROPOSED ILLINOIS ROUTE 178.



SIGNING LEGEND

- RSPA** REMOVE SIGN PANEL ASSEMBLY (AT END OF STAGE)
- RSP** REMOVE SIGN PANEL (AT END OF STAGE)
- RLSP** RELOCATE SIGN PANEL
- RLSPA** RELOCATE SIGN PANEL ASSEMBLY
- SRIP** SIGN TO REMAIN IN PLACE
- TAS** TEMPORARY ACCESS SIGNS
- MOT** SIGNS TO BE PAID FOR THROUGH TRAFFIC CONTROL STANDARDS

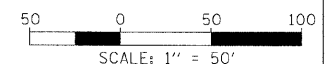


LEGEND

- CONSTRUCTION AREA
- TEMPORARY PAVEMENT
- DRUMS OR TYPE II BARRICADES
- TRAFFIC FLOW
- TEMPORARY CONCRETE BARRIER
- TYPE III BARRICADES
- SIGN

REVISIONS	
NAME	DATE

ILLINOIS DEPARTMENT OF TRANSPORTATION
 MAINTENANCE OF TRAFFIC
 STAGE 2 PHASE I
 SHEET 9 OF 14
 SCALE: VERT. N/A
 HORIZ. 1"=50'
 DATE
 DRAWN BY MEW
 CHECKED BY



© Copyright Hanson Professional Services Inc. 2009
HANSON
 Hanson Professional Services Inc.
 1525 South Sixth Street
 Springfield, Illinois 62703-2886
 Offices Nationwide

MODEL NAME = S2 Phase 1 Sht 9
 PLOT DATE = 12/23/2009
 DRAWN = JAC-10271C.S2.dgn
 PLOT SCALE = 50/0000
 USER NAME = JohnA80944

LAYOUT	8/27/05
DRAWN	8/27/05
REVIEWED	10/1/07
MEW	
MEW	
MTM	