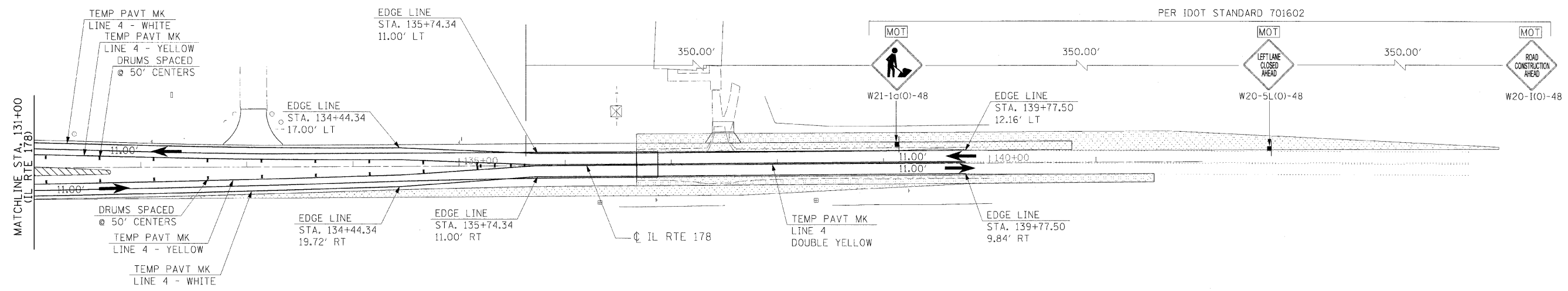
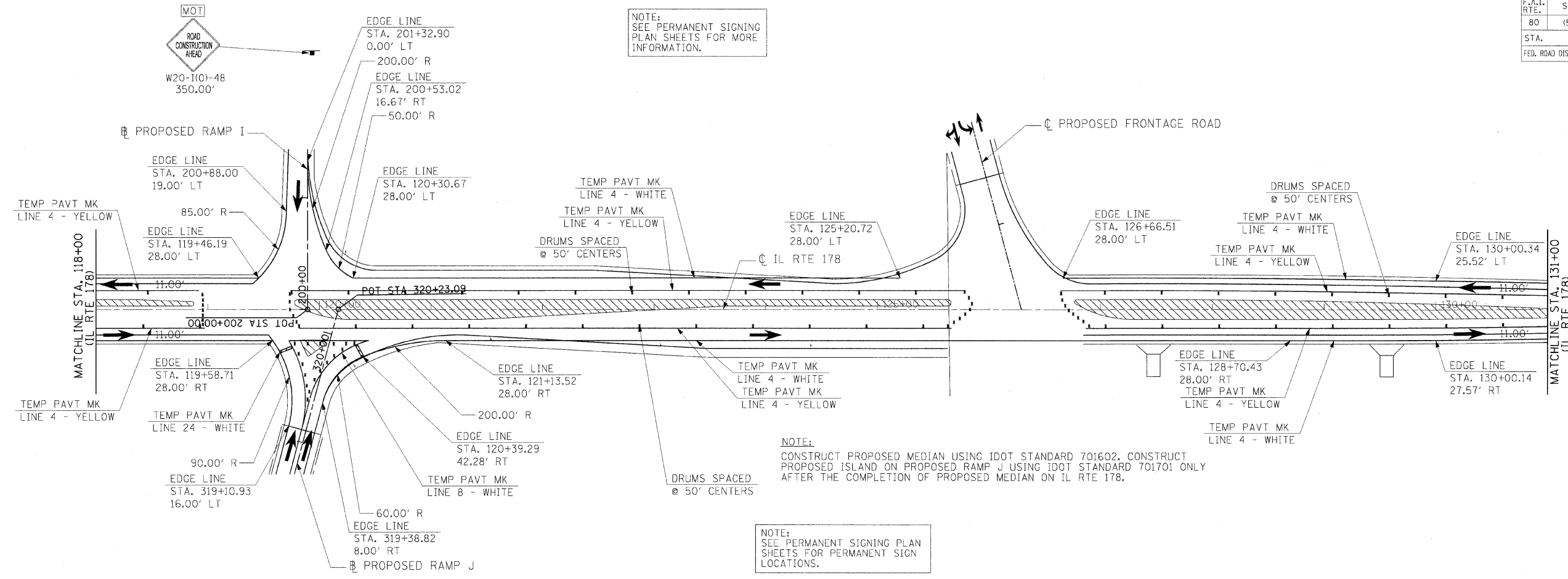


F.A.I. RTE.	SECTION	COUNTY	TOTAL SHEETS	SHEET NO.
80	150-3H8K	LASALLE	492	188
STA.		TO STA.		
FED. ROAD DIST. NO.		ILLINOIS FED. AID PROJECT		



**HANSON**  
 Hanson Professional Services Inc.  
 1525 South Sixth Street  
 Springfield, Illinois 62703-2886  
 Offices Nationwide

MODEL NAME = Stage 3 Sht 2  
 PLOT DATE = 12/23/2009  
 PLOT SCALE = 1/8"=1'-0"  
 USER NAME = JohnA000144

LAYOUT	8/27/09
DRAWN	8/27/09
REVIEWED	10/1/07

- SIGNING LEGEND**
- [RSPA] REMOVE SIGN PANEL ASSEMBLY (AT END OF STAGE)
  - [RSP] REMOVE SIGN PANEL (AT END OF STAGE)
  - [RLSP] RELOCATE SIGN PANEL
  - [RLSPA] RELOCATE SIGN PANEL ASSEMBLY
  - [SRIP] SIGN TO REMAIN IN PLACE
  - [TAS] TEMPORARY ACCESS SIGNS
  - [MOT] SIGNS TO BE PAID FOR THROUGH TRAFFIC CONTROL STANDARDS

- LEGEND**
- [Hatched Box] CONSTRUCTION AREA
  - [Dotted Box] TEMPORARY PAVEMENT
  - [Barricade Symbol] DRUMS OR TYPE II BARRICADES
  - [Arrow Symbol] TRAFFIC FLOW
  - [Barrier Symbol] TEMPORARY CONCRETE BARRIER
  - [T Symbol] TYPE III BARRICADES
  - [Sign Symbol] SIGN

REVISIONS	
NAME	DATE

ILLINOIS DEPARTMENT OF TRANSPORTATION

**MAINTENANCE OF TRAFFIC  
 STAGE 3  
 SHEET 2 OF 2**

SCALE: VERT. N/A  
 HORIZ. 1"=50'

DATE: \_\_\_\_\_ DRAWN BY MEW  
 CHECKED BY \_\_\_\_\_

