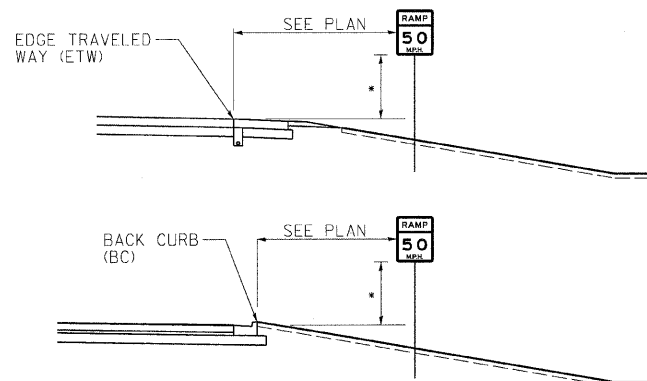


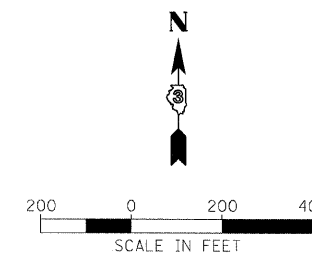
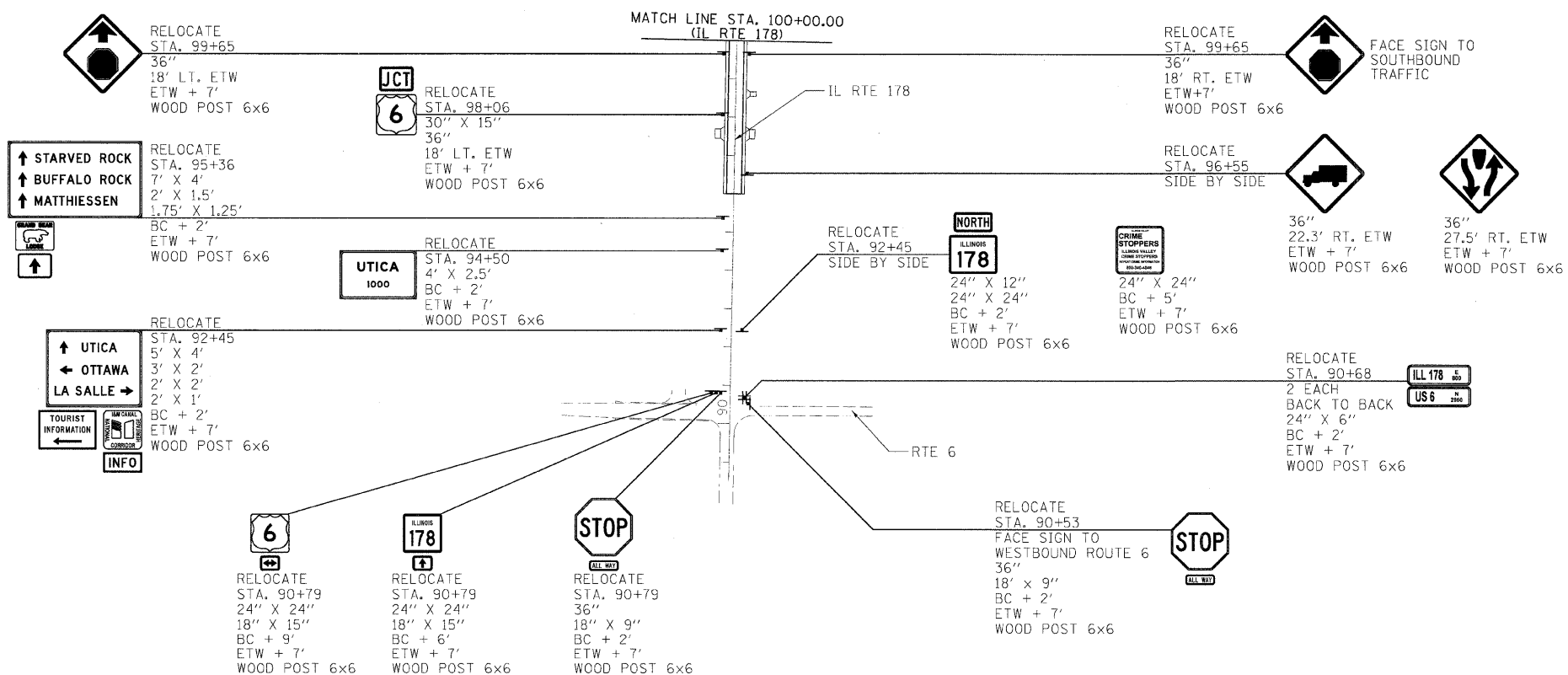
F.A.I. RTE.	SECTION	COUNTY	TOTAL SHEETS	SHEET NO.
80	(50-3)HBK	LASALLE	492	240
STA.		TO STA.		
FED. ROAD DIST. NO.		ILLINOIS FED. AID PROJECT		

NOTES:
 1. THIS PLAN IS FOR SIGN RELOCATIONS ONLY.
 2. THE CONTRACTOR SHALL VERIFY ALL POST LENGTHS REQUIRED PRIOR TO ORDERING.



• SEE PLAN (ETW + 4', ETW + 5', ETW + 7')

TYPICAL GROUND MOUNTED SIGN INSTALLATION



SIGNING SHEET 9 OF 25

REVISIONS	
NAME	DATE
MGC, MLT	11/25/08

ILLINOIS DEPARTMENT OF TRANSPORTATION
SIGNING PLAN

SCALE: VERT. 1"=200'
 HORIZ. 1"=200'

DRAWN BY MGC
 CHECKED BY MLT

MODEL NAME	9 SIGN PLAN
PLOT DATE	12/23/2009
PLOT SCALE	1"=200'
USER NAME	JohnaB0944
LAYOUT	08/21/08
DRAWN	08/21/08
REVIEWED	10/1/07

HANSON
 Hanson Professional Services Inc.
 1525 South Sixth Street
 Springfield, Illinois 62703-2886
 Offices Nationwide

© Copyright Hanson Professional Services Inc. 2009