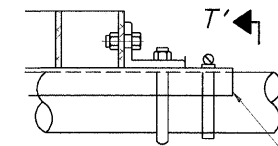
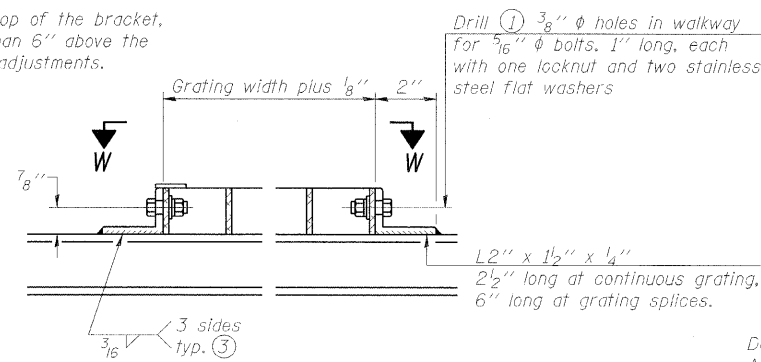
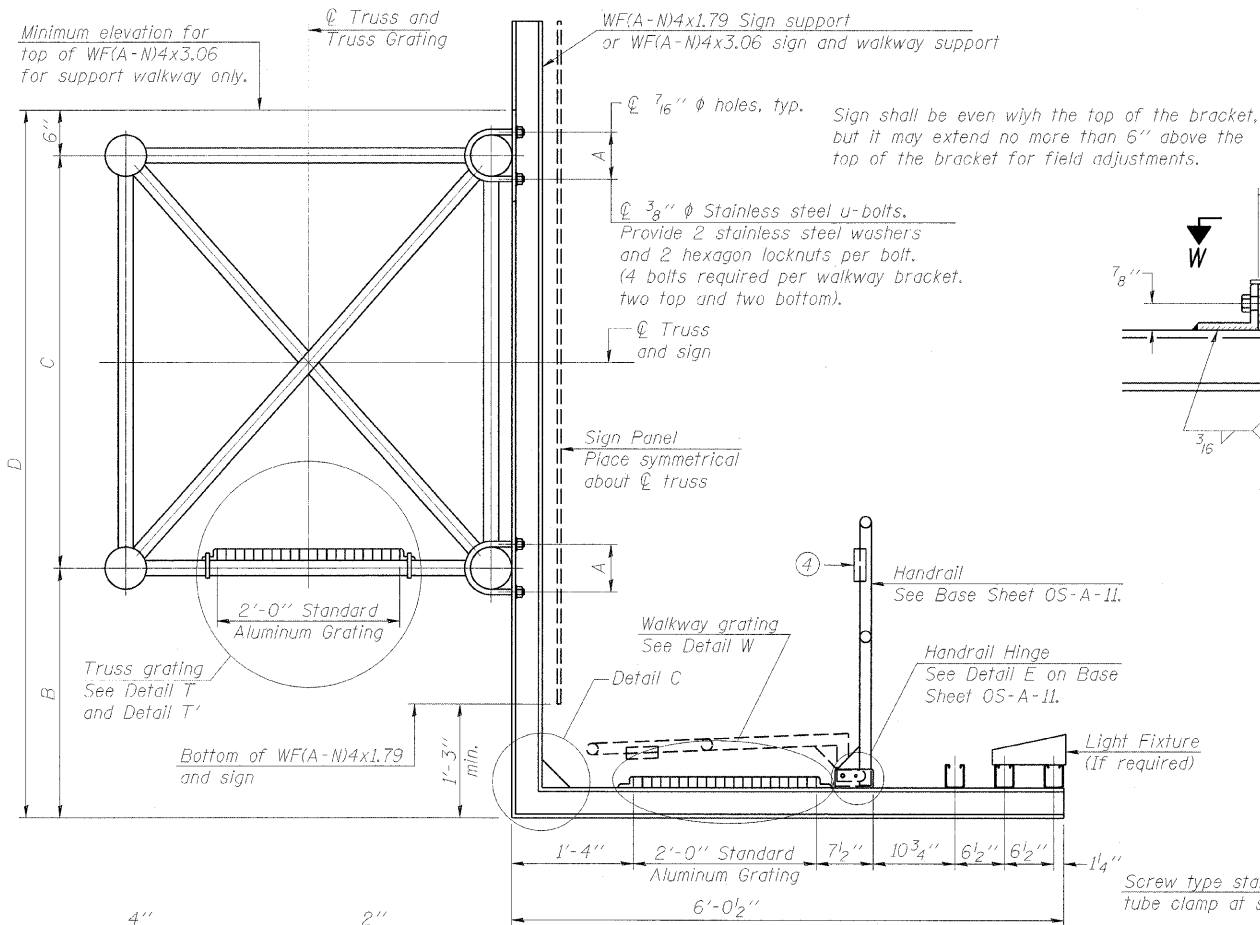
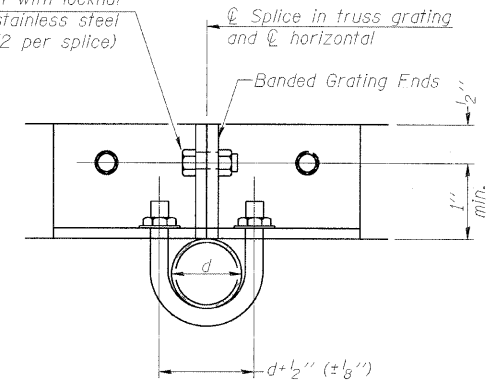


F.A.I. RTE.	SECTION	COUNTY	TOTAL SHEETS	SHEET NO.
80	(50-3)H&K	LASALLE	492	254
STA.		TO STA.		
FED. ROAD DIST. NO.	ILLINOIS	FED. AID PROJECT		



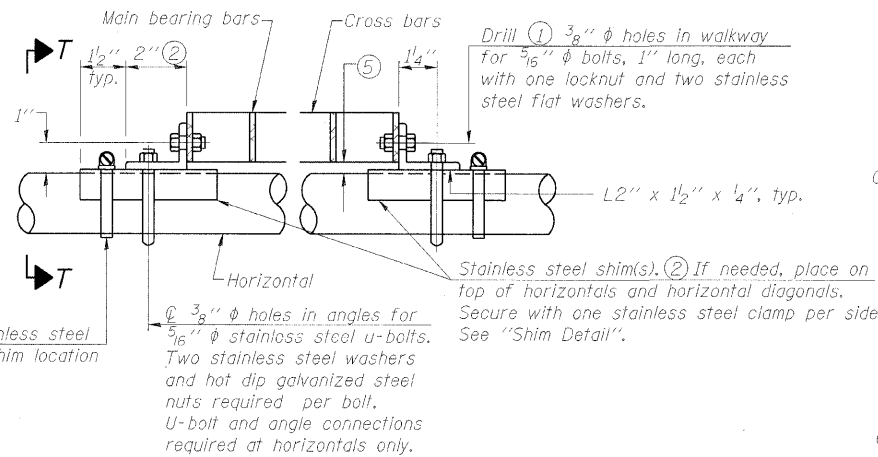
DETAIL T'

(Truss grating splice) Details not shown same as Detail T. Alternate materials may be used subject to the Engineer's review and approval.

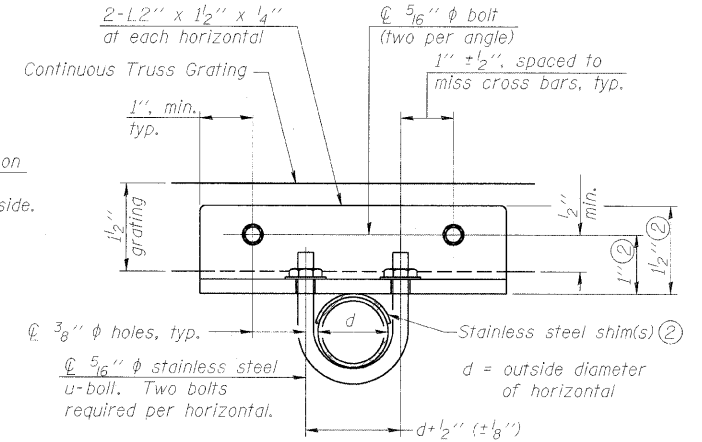


SECTION T'-T'

DETAIL W (Walkway grating)



DETAIL T (Continuous Truss grating)



SECTION T-T

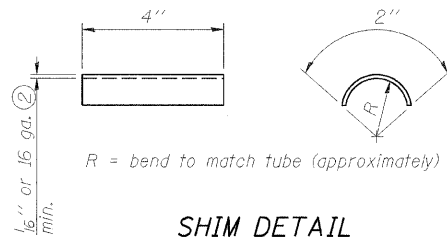
SPECIFICATIONS FOR STANDARD ALUMINUM GRATING

Main Bearing Bars shall be 3/16" x 1 1/2" on 1 3/16" centers and conform to ASTM B221 Alloy 6061-T6.
 Cross bars shall be 3/16" x 1 1/2" on 4" centers and conform to ASTM B221 Alloy 6063-T5 or 6061-T6.

OR

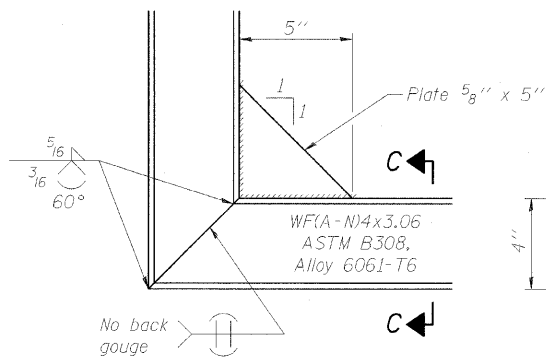
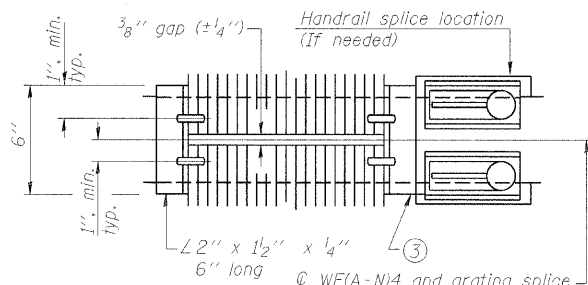
Aluminum Grating with modified "H" sections for main bearing bars shall meet the following requirements:
 Main bars shall conform to ASTM B221 Alloy 6061-T6 and have a minimum section modulus equal to 0.0705 in.³ per bar, a depth of 1 1/2", spaced on 1 3/16" centers.
 Cross bars shall conform to ASTM B221 Alloy 6063-T5 or T-42 and spaced on 4" centers.

Structure Number	Station	A	B	C	D
3S0501080L081.2	897+T5	5 1/2"	6'-6"	4'-6"	11'-6"



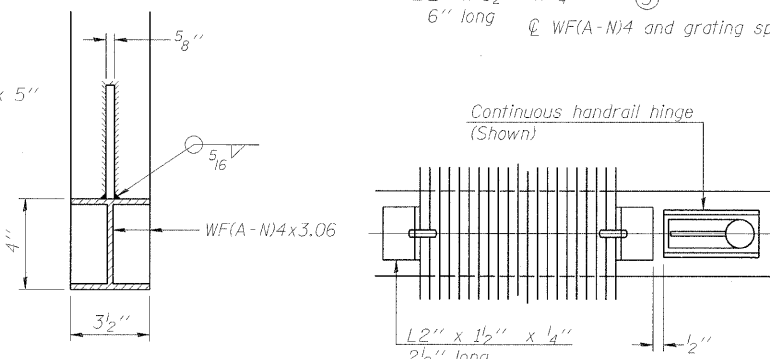
SHIM DETAIL

SECTION B-B



DETAIL C

SECTION C-C



SECTION W-W

NUMBER	REVISION	DATE

- Drilling holes in grating may be done in shop or field, based on Contractor's preference and subject to accurate alignment.
- Stainless steel shims shall be placed as shown in Detail T if needed to compensate for alignment variations between horizontal and diagonal pipes beyond adjustment provided by angles. Thicker shims may be used subject to shims performing properly.
- If Handrail Joint present, weld angle to WF(A-N)4 and 1/4" extension bars. (See Base Sheet OS-A-11.)
- 1/8" x 1/2" x 2" welded to handrail posts to protect locations that contact grating.
- Tube to grating gap may vary from 0 to 1/2", max. to align walkway, allow for camber, etc.

OVERHEAD SIGN STRUCTURES ALUMINUM WALKWAY DETAILS

ILLINOIS DEPARTMENT OF TRANSPORTATION

SIGNING PLAN OVERHEAD SIGN STRUCTURE

SCALE: VERT. HORIZ. N.T.S. DATE

DRAWN BY MQC CHECKED BY MLT

REVISIONS	
NAME	DATE