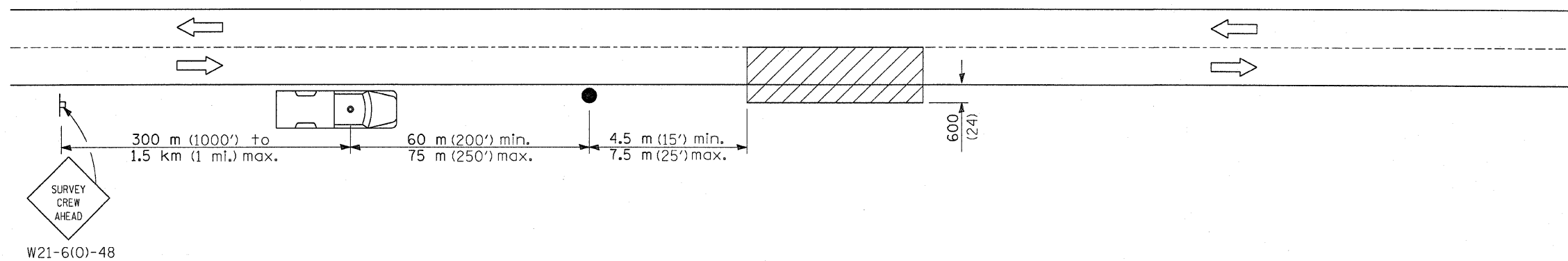
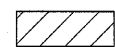



F.A.I. RTE.	SECTION	COUNTY	TOTAL SHEETS	SHEET NO.
80	50-3BK	LASALLE	492	267
ILLINOIS FED. AID PROJECT				



SYMBOLS

 Work area

 Sign on portable or permanent support

 Truck with flashing amber light and dual emergency flashers

 Flagger with traffic control sign

TYPICAL APPLICATIONS

Utility operations

All dimensions are in millimeters (inches) unless otherwise shown.

REVISIONS	
NAME	DATE

ILLINOIS DEPARTMENT OF TRANSPORTATION

**DETAIL FOR
NIGHT TIME LIGHTING
INSPECTION**

Not to scale