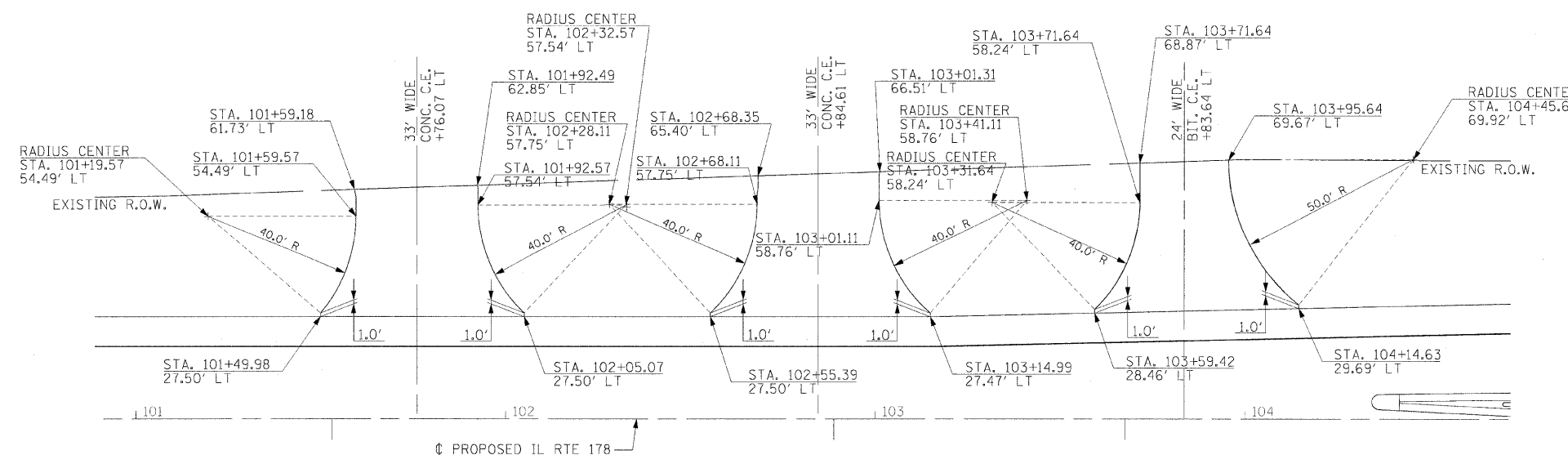
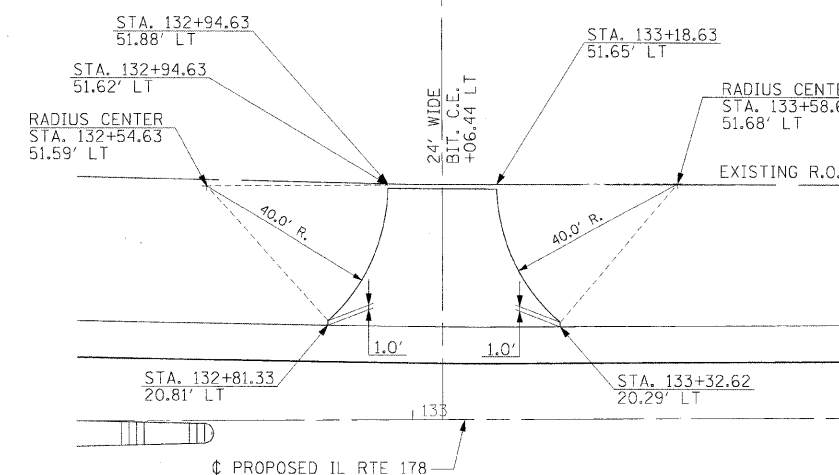


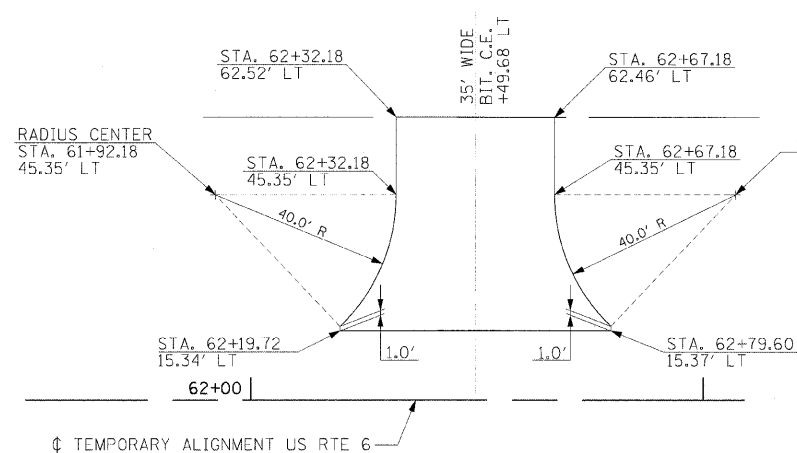
F.A.I. RTE.	SECTION	COUNTY	TOTAL SHEETS	SHEET NO.
80	150-3HBK	LASALLE	492	302
STA.	TO STA.			
FED. ROAD DIST. NO.	ILLINOIS FED. AID PROJECT			



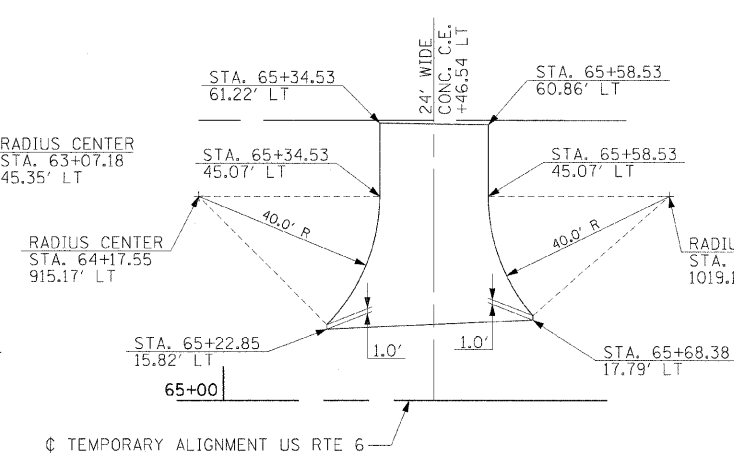
COMMERCIAL ENTRANCE DETAIL 1



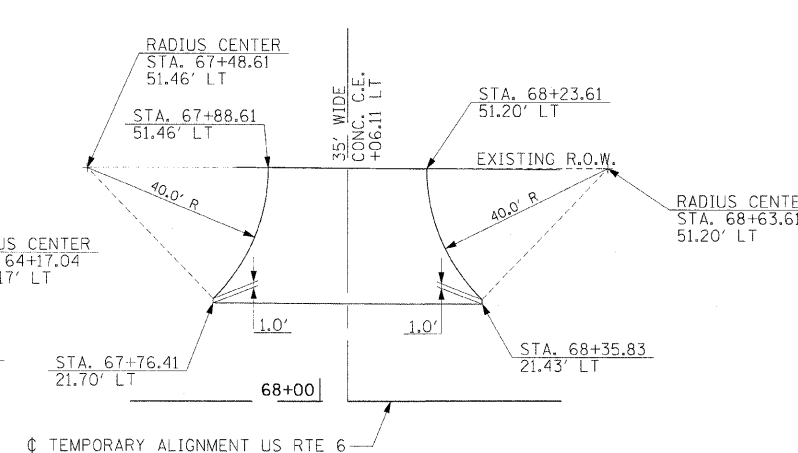
COMMERCIAL ENTRANCE DETAIL 2



COMMERCIAL ENTRANCE DETAIL 3

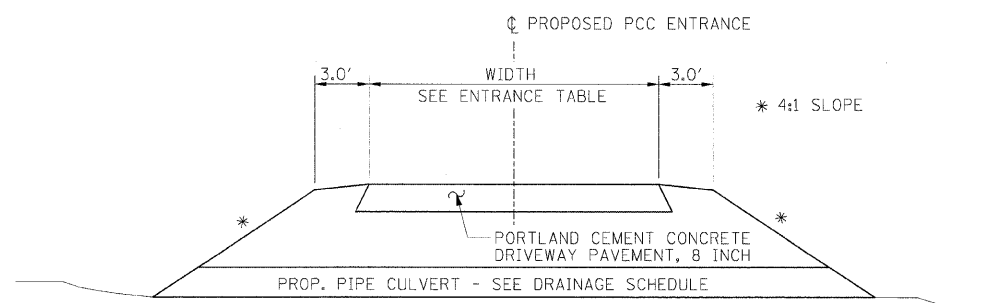


COMMERCIAL ENTRANCE DETAIL 4



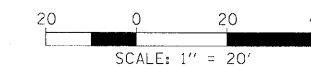
COMMERCIAL ENTRANCE DETAIL 5

ENTRANCE TABLE				
STATION	TYPE	OFFSET	SURFACE MATERIAL	WIDTH
91+92.12	C.E.	LT	CONCRETE	33.0'
91+92.34	C.E.	RT	CONCRETE	35.0'
93+53.88	C.E.	LT	CONCRETE	24.0'
95+24.57	C.E.	RT	CONCRETE	22.0'
97+56.59	C.E.	LT	CONCRETE	24.0'
101+76.07	C.E.	LT	CONCRETE	33.0'
102+84.61	C.E.	LT	CONCRETE	33.0'
103+83.64	C.E.	LT	CONCRETE	24.0'
133+06.44	C.E.	LT	CONCRETE	33.0'
62+49.68	C.E.	LT	CONCRETE	35.0'
65+46.54	C.E.	LT	CONCRETE	24.0'
68+06.11	C.E.	LT	CONCRETE	35.0'



GROSS SECTION PCC COMMERCIAL ENTRANCES

STATION 62+49.68	STATION 95+24.57
STATION 65+46.54	STATION 97+56.59
STATION 68+06.11	STATION 101+76.07
STATION 91+92.12	STATION 102+84.61
STATION 91+92.34	STATION 103+83.64
STATION 93+53.88	STATION 133+06.44



REVISIONS	
NAME	DATE

ILLINOIS DEPARTMENT OF TRANSPORTATION

ENTRANCE DETAIL SHEET

SCALE: VERT. N/A
HORIZ. 1" = 20'
DATE

DRAWN BY JAP
CHECKED BY