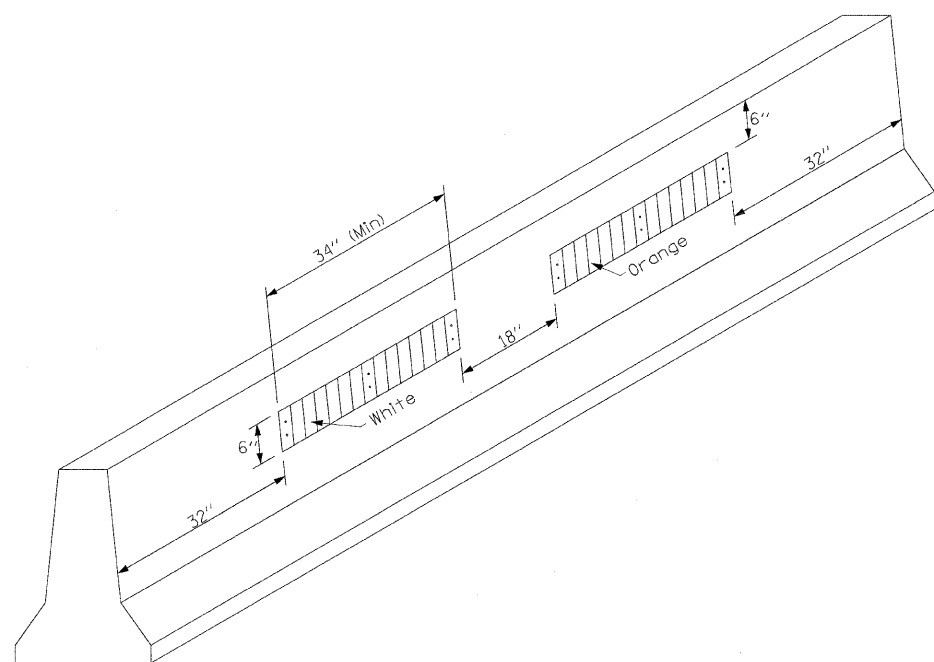
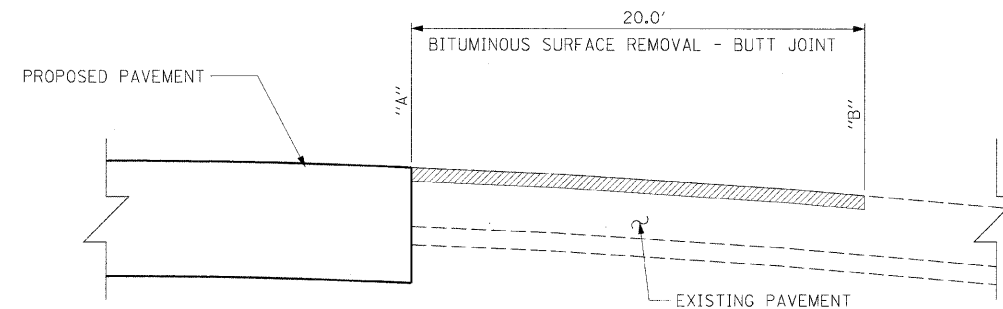


F.A.I. RTE.	SECTION	COUNTY	TOTAL SHEETS	SHEET NO.
80	150-318BK	LASALLE	492	304
STA.		TO STA.		
FED. ROAD DIST. NO.		ILLINOIS FED. AID PROJECT		

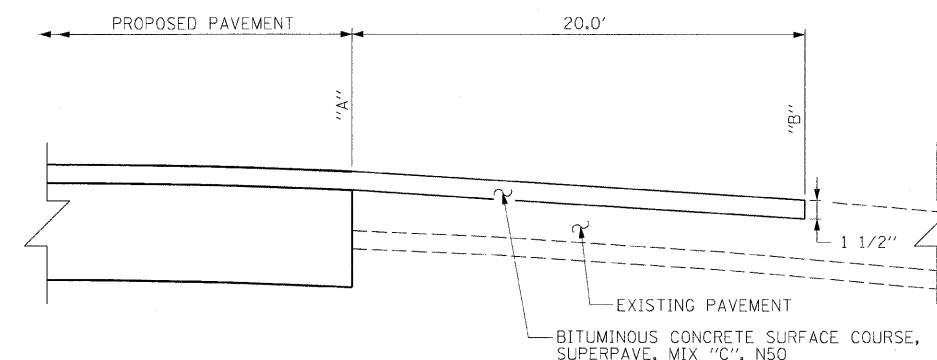


LINEAR DELINEATION PANEL
VARIES LOCATIONS (SEE PLANS)

NOTE: THIS DETAIL DENOTES 1 FULL 12.5' SECTION OF TEMPORARY CONCRETE BARRIER.

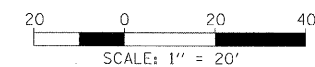


EXISTING SECTION



PROPOSED SECTION

LOCATION	"A" STATION	"B" STATION
IL RTE 178	96+00	95+80
FRONTAGE ROAD (NORTH 3029th ROAD)	604+79.57	604+59.57



REVISIONS	
NAME	DATE

ILLINOIS DEPARTMENT OF TRANSPORTATION

LINEAR DELINEATION DETAIL
AND PROPOSED BUTT JOINT DETAIL

SCALE: VERT. N/A
HORIZ. 1" = 20'
DATE

DRAWN BY MEW
CHECKED BY

MODEL NAME = BJ and Delineation Det
PLOT DATE = 12/23/2009
FILE NAME = C:\Users\johnm\Documents\Projects\11-09-09\11-09-09\11-09-09.dgn
PLOT SCALE = 1" = 20'
USER NAME = johnm0034

LAYOUT	MEW	01/13/06
DRAWN	MEW	01/13/06
REVIEWED	MTM	10/1/07

© Copyright Hanson Professional Services Inc. 2009
HANSON
Hanson Professional Services Inc.
1525 South Sixth Street
Springfield, Illinois 62703-2886
Offices Nationwide