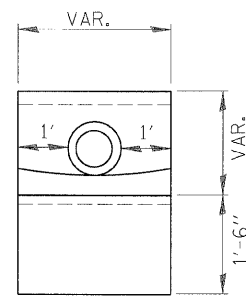
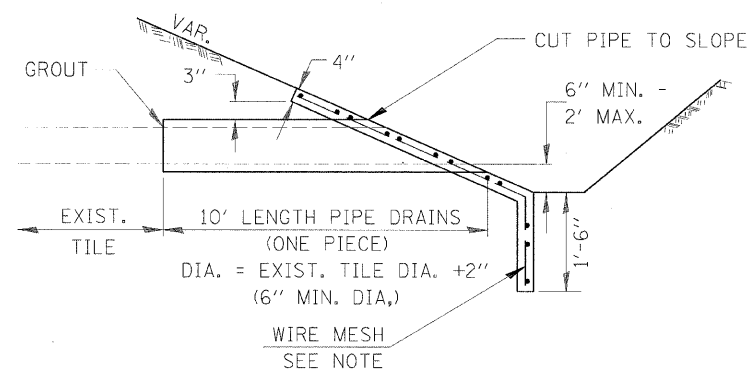
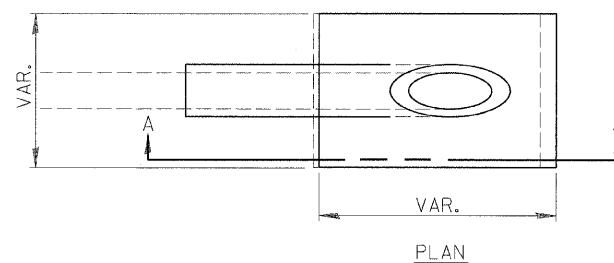


F.A.I. RTE.	SECTION	COUNTY	TOTAL SHEETS	SHEET NO.
80	150-318BK	LASALLE	492	318
STA.		TO STA.		
FED. ROAD DIST. NO.		ILLINOIS FED. AID PROJECT		

NOTES

1. ANY FIELD TILE OUTLET INTO A DITCH SHALL HAVE A HEADWALL BUILT IN ACCORDANCE WITH THIS DETAIL.
2. COST OF FURNISHING AND INSTALLING WIRE MESH SHALL BE INCLUDED IN THE CONTRACT UNIT PRICE PER CUBIC YARD FOR MISCELLANEOUS CONCRETE. WIRE MESH TO WEIGH NOT LESS THAN 58# PER 100 SQ. FT.



PIPE DRAINS & CONCRETE HEADWALLS

REVISIONS	
NAME	DATE

ILLINOIS DEPARTMENT OF TRANSPORTATION

FIELD TILE DETAILS
3 OF 3

SCALE: VERT. N/A
HORIZ. N/A

DATE _____ DRAWN BY IDOT
CHECKED BY MTM

HANSON
Hanson Professional Services Inc.
1525 South Sixth Street
Springfield, Illinois 62703-2886
Offices Nationwide

MODEL NAME = SHEET 11
PLOT DATE = 12/23/2009
PLOT SCALE = 1/8\"/>

LAYOUT	KET	8/24/06
DRAWN	IDOT	1/20/07
REVIEWED	MTM	10/1/07