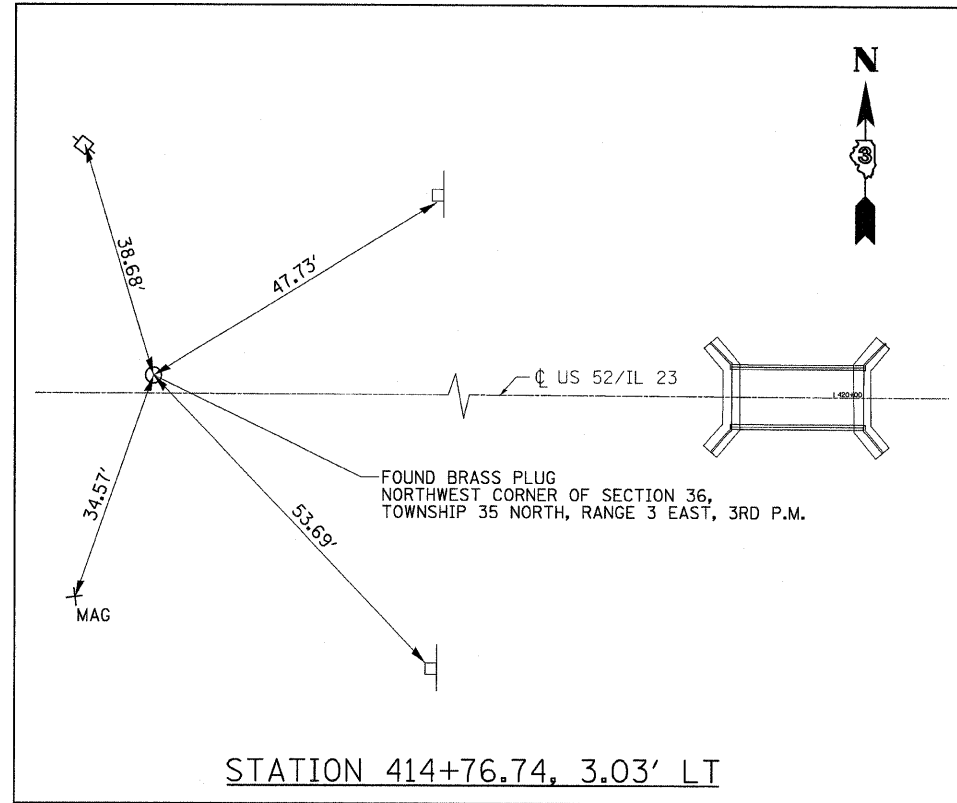
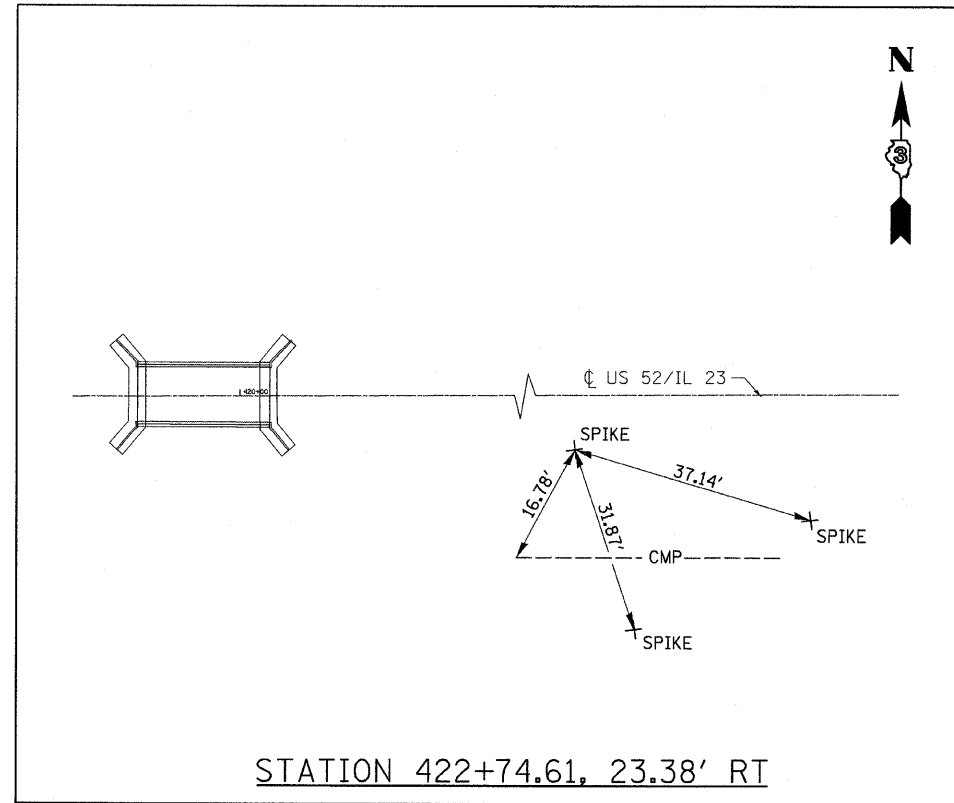


F.A.P. RTE.	SECTION	COUNTY	TOTAL SHEETS	SHEET NO.
68	(3)BR-1	LASALLE	44	7
STA. N/A		TO STA. N/A		
FED. ROAD DIST. NO. 7		ILLINOIS	FED. AID PROJECT	

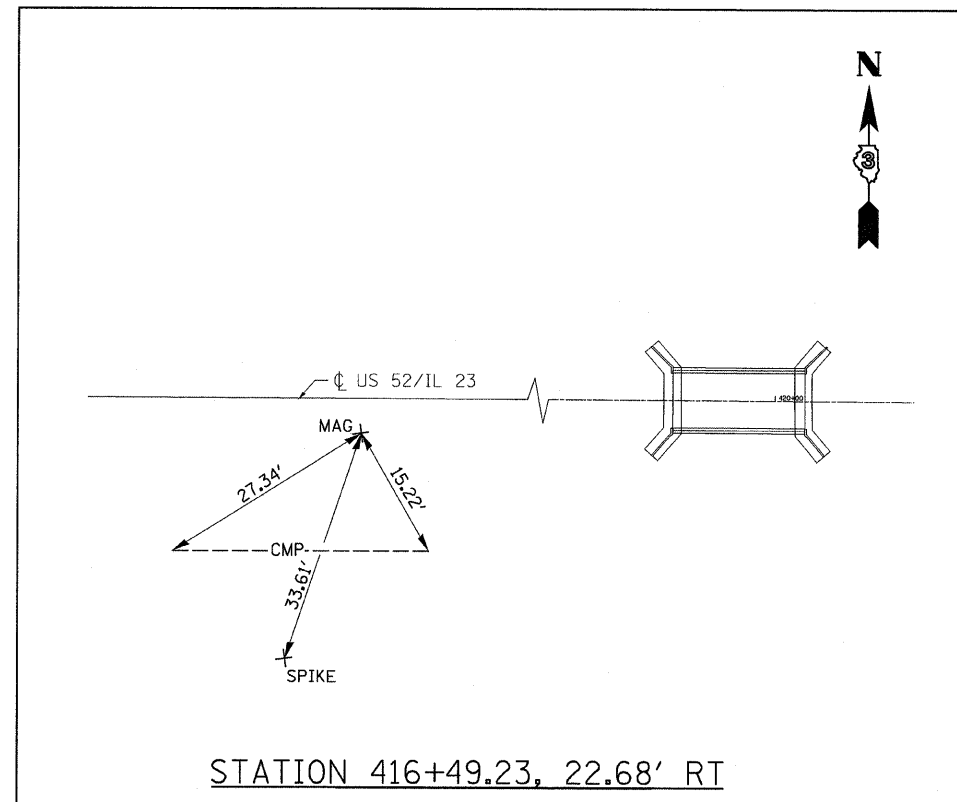
**CONTRACT NO. 66619**



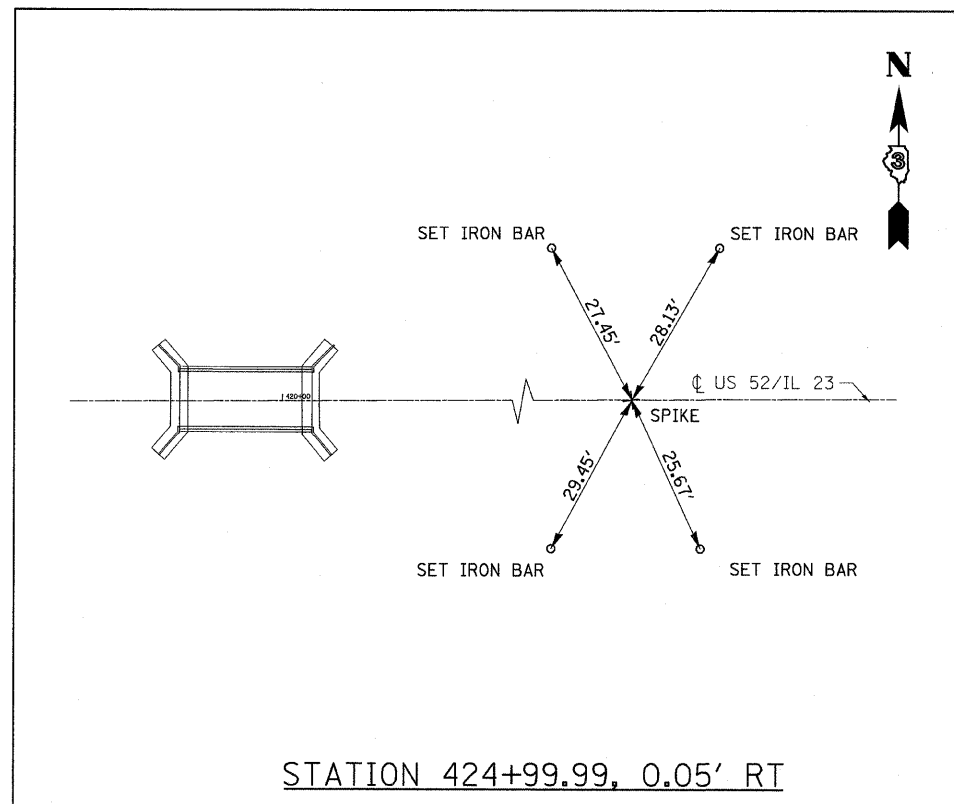
STATION 414+76.74, 3.03' LT



STATION 422+74.61, 23.38' RT



STATION 416+49.23, 22.68' RT



STATION 424+99.99, 0.05' RT

**BENCHMARKS:**

- BRASS DISK  
STA. 414+76.74, 3.03' LT  
ELEV.=635.61
- CHISLED "□"  
N.E. WINGWALL  
STRUCTURE NO. 050-0056  
ELEV.=633.31

REVISIONS	
NAME	DATE

ILLINOIS DEPARTMENT OF TRANSPORTATION

**ALIGNMENT TIES  
AND BENCHMARKS**

SCALE: NONE  
DATE: JUNE 20, 2008

DRAWN BY DAC  
CHECKED BY AAG